

PVC-C

Product Range International 2015

Piping systems for
industrial application



"

-

List of abbreviations

ANSI	American National Standard	Tg	Malleable Iron
ASTM	American Society for Testing and Materials	d	Pipe outside diameter
BS	British Standard	FM	Fusion Method
DIN	Deutsche Industrie-Normen	DN	Nominal bore
ISO	International Standardization Organisation	PN	Nominal pressure at 20°C, water
ABS	Acrylnitril Butadien Styrene	kg	Weight in kilograms
PVC-U	Polyvinyl Chloride	g	Weight in grams
PVC-C	Polyvinyl Chloride chlorinated	SP	Standard pack. The figure given indicates the quantity of fittings contained in a standard pack
PP	Polypropylene, heat stabilised	GP	Gross pack. The figure given indicates the quantity of fittings contained in a gross pack
PP-N	Polypropylene, Random copolymer unpigmented	G	Pipe thread, not pressure tight in the thread to ISO 228/1
PE	Polyethylene	NPT	Taper male thread pressure tight in the thread to ANSI B 1.20.1
PVDF	Polyvinylidene fluoride	R	Taper male thread, pressure tight in the thread to ISO 7/DIN 2999/1
EPDM	Ethylene Propylene Rubber	Rc	Taper female thread, pressure tight in the thread to ISO 7/1
FPM	Fluorine Rubber, e.g. Viton®	Rp	Parallel female thread, pressure tight in the thread to ISO 7/DIN 999/1
NBR	Nitrile Rubber	Tr	Trapezoid thread
IIR	Butyl Rubber	SC	Size of hexagon bolts
CSM	Chlore Sulphonyl Polythene, e.g. Hypalon®	s	A/F
CR	Chloroprene Rubber, e.g. Neoprene®	e	Wall thickness
PROGEF	GF of PP	AL	Number of bolt holes
PTFE	Polytetrafluorethylene, e.g. Teflon®	®	Registered trade-mark
UP-GF	Unsaturated polyester resin glassfibre reinforced		
St	Steel		
Ms	Brass		

Application area of pipes and fittings

General

The choice of material and the pressure rating of the pipe components are important for both operating safety and for attaining the specified minimum operational life of the system.

The decisive factors are:

- Operating pressure
- Operating temperature
- Medium transported
- Duration of service

Separate calculations are necessary if safety factors are different or the operational lifetime is modified.

The chemical resistance of the material used can be determined from our special list for "Chemical resistance of thermoplastics and elastomers for piping systems".

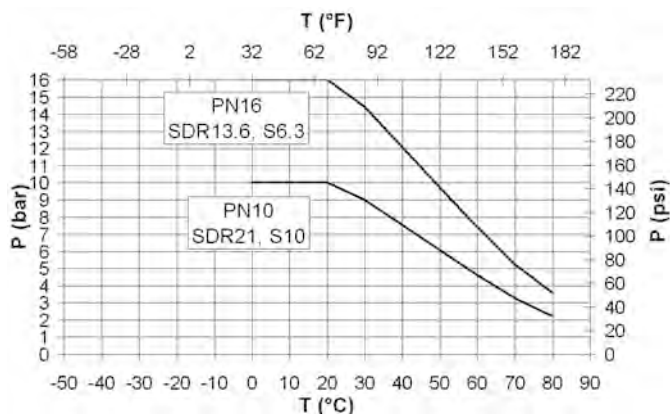
Pressure/temperature diagram for PVC-C

The design factor recommended by GF is incorporated.

It can be used for water or media resembling water, in other words, media which have no derating factor regarding the chemical resistance.

Remark: Please take into account the pressure / temperature diagrams for valves and special fittings. Because of the construction and/or sealing material used, differences are possible when compared with pipes and fittings. This information can be found in the planning fundamentals of the relevant types of valves, respectively special fittings.

Under certain conditions working temperatures up to 90°C are possible for limited times. Please contact your local GF representative for advice on any applications lying outside of our standard guidelines.



P Permissible pressure in bar, psi

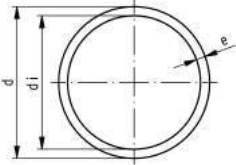
T Temperature in °C, °F

PVC-C Standard Pipes, Fittings, Unions, Flanges and Flange Adaptors

	Page
Pipes	6
Fittings	7
Adaptor fittings	12
Unions	14
Flange adaptors	23
Backing flanges	24
Seals	27
Pipe clips metric	29
PVC-C accessories	33

Pipes

Pipe PVC-C grey Series S4 SDR9 nominal pressure PN16



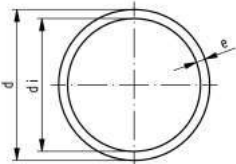
Model:

- Material: PVC-C
- Colour: RAL 7038 - agate grey
- Dimension: DIN 8079, EN ISO 15493
- Pipe length: 5m, with plain ends
- Minimum order quantity: 1 length

d [mm]	PN [bar]	Code	Weight [kg/m]	di [mm]	e [mm]
16	16	163 017 130	0.136	12.4	1,8
20	16	163 017 131	0.217	15.4	2,3
25	16	163 017 132	0.326	19.4	2,8

PF 2 80 449 001

Pipe PVC-C grey Series S6.3 SDR13.6 nominal pressure PN16



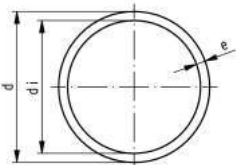
Model:

- Material: PVC-C
- Colour: RAL 7038 - agate grey
- Dimension: DIN 8079, EN ISO 15493
- Pipe length: 5m, with plain ends
- Minimum order quantity: 1 length

d [mm]	PN [bar]	Code	Weight [kg/m]	e [mm]	di [mm]
32		163 017 133	0.379		
		163 017 134	0.589		
		163 017 135	0.896		
		163 017 136	1.420		
		163 017 137	2.010		
90		163 017 138	2.880		
		163 017 139	4.270		
		163 017 142	8.970		

PF 2 80 449 001

Pipe PVC-C grey Series S10 SDR21 nominal pressure PN10



Model:

- Material: PVC-C
- Colour: RAL 7038 - agate grey
- Dimension: DIN 8079, EN ISO 15493
- Pipe length: 5m, with plain ends
- Minimum order quantity: 1 length

d [mm]	PN [bar]	Code	[kg/m]	e [mm]	di [mm]
75		163 017 187	1.320		
		163 017 188	1.930		
		163 017 189	2.890		
		163 017 192	6.060		
		163 017 195	11.900		

PF 2 80 449 003

Fittings

Bend 90° PVC-C metric

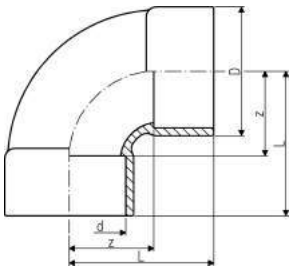
• Radius = 2 d

d [mm]	PN [bar]	Code	SP	Weight [kg]	z [mm]	D [mm]	L [mm]
20	16	723 000 106	10	0.032	40	27	58
25	16	723 000 107	10	0.055	50	35	71
32	16	723 000 108	10	0.080	64	38	88
40	16	723 000 109	30	0.143	80	54	
		723 000 110	5				
63		723 000 111	17				
		723 000 112	5				
		723 000 113	5				
		723 000 114	5				
		723 000 117	1				

PF 2 32 450 009

Bend 90° short pattern PVC-C metric

• Radius = 0,75 d

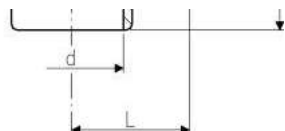


d [mm]	PN	Code		[kg]	z [mm]	D [mm]	L [mm]
225		723 010 120	1				

PF 2 32 450 009

Elbow 90° PVC-C metric

d [mm]	PN [bar]	Code	SP	Weight [kg]	z [mm]	D [mm]	L [mm]
16	16	723 100 105	10	0.015	9	21	23
20	16	723 100 106	10	0.014	11	25	27
25	16	723 100 107	10	0.025	14	31	33
32	16	723 100 108	10	0.047	17	40	
		723 100 109	10				
50		723 100 110	10				
		723 100 111	10				
		723 100 112	5				
		723 100 113	5				
		723 100 114	4				
		723 100 117	1				



PF 2 32 450 001

Elbow 45° PVC-C metric

d [mm]	PN [bar]	Code	[kg]	z [mm]	D [mm]	L [mm]
16		723 150 105	10			
		723 150 106	10			
		723 150 107	10			
		723 150 108	10			
		723 150 109	5			
50		723 150 110	5			
		723 150 111	10			
		723 150 112	5			
		723 150 113	5			
		723 150 114	10			
		723 150 117	1			
		723 150 120	1			

PF 2 32 450 002

Tee 90° PVC-C metric

Øm [mm]	PN [bar]	Code	[kg]	z [mm]	D [mm]	L [mm]
16		723 200 105	10			
		723 200 106	10			
		723 200 107	10			
		723 200 108	10			
		723 200 109	10			
50		723 200 110	10			
		723 200 111	10			
		723 200 112	5			
		723 200 113	5			
		723 200 114	6			
		723 200 117	1			
		723 200 120	1			

PF 2 32 450 003

Tee 45° PVC-C metric

d [mm]	PN [bar]	Code	SP	Weight [kg]	z [mm]	z1 [mm]	D [mm]	L [mm]	L1 [mm]
20	10	723 250 106	10	0.039	30	6	28	68	46
25	10	723 250 107	10	0.062	36	9	33	83	55
32	10	723 250 108	10	0.102	45	10			
		723 250 109	10						
		723 250 110	10						
63		723 250 111	10						
		723 250 112	5						
		723 250 113	1						
		723 250 114	3						

PF 2 32 450 026

Cross PVC-C metric

d [mm]	PN	Code	[kg]	z [mm]	D [mm]	L [mm]
32		723 300 108	10			
		723 300 111	5			

PF 2 32 450 036

Socket PVC-C metric

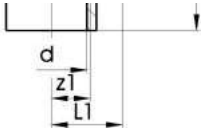
d [mm]	PN	Code	[kg]	z [mm]	D [mm]	L [mm]
16		723 910 105	10			
		723 910 106	10			
		723 910 107	10			
		723 910 108	10			
		723 910 109	10			
50		723 910 110	10			
		723 910 111	10			
		723 910 112	10			
		723 910 113	10			
		723 910 114	5			
		723 910 117	2			
		723 910 120	1			

PF 2 32 450 004

Tee 90° reducing PVC-C metric

*Tee 90° delivered with the required reducing bushes

	d1 [mm]	d [mm]	PN [bar]	Code	SP	Weight [kg]	z1 [mm]	L1 [mm]	z [mm]	D [mm]	L [mm]
	20	25	16	723 200 134	10	0.042	14	30	14	33	33
	25	32	16	723 200 138	10	0.069	17	36	17	41	39
	25	40		723 200 151	10						
				723 200 147	10						
				723 200 009	5						
	25			723 200 010	5						
				723 200 164	10						
				723 200 011	10						
				723 200 178	5						
				723 200 170	5						
*				723 200 184	8						
				723 200 142	6						
				723 200 145	5						
				723 200 135	3						
				723 200 137	3						



PF 2 32 450 010

Reducing bush short pattern PVC-C metric

Model:

- With solvent cement spigot and socket metric

	d [mm]	d1 [mm]	PN [bar]	Code	[kg]	z [mm]	L [mm]
*				723 900 334	10		
				723 900 337	10		
				723 900 342	10		
				723 900 341	10		
				723 900 348	10		
	40			723 900 347	10		
				723 900 346	10		
				723 900 355	10		
				723 900 354	10		
				723 900 353	10		
*				723 900 352	10		
				723 900 360	10		
				723 900 359	10		
				723 900 358	10		
				723 900 365	10		
*				723 900 364	10		
				723 900 372	10		
				723 900 371	10		
				723 900 370	10		
				723 900 378	5		
*				723 900 376	5		
				723 900 390	5		
				723 900 396	2		

PF 2 32 450 017

Reducing bush long pattern PVC-C metric

Model:

- With solvent cement spigot and socket metric

d1 [mm]	d [mm]	PN [bar]	Code	SP	Weight [kg]	z [mm]	L [mm]
20	32	16	723 910 342	10	0.021	30	46
25	40	16	723 910 347	10	0.036	36	55
25	50	16	723 910 354	10	0.058	44	63
32	63	16	723 910 360	10	0.110	54	
			723 910 366	5			
			723 910 371	5			

PF 2 32 450 035

Cap PVC-C metric

d [mm]	PN	Code	[kg]	D _m	L _m
16		723 960 105	10		
		723 960 106	10		
		723 960 107	10		
		723 960 108	10		
		723 960 109	10		
50		723 960 110	10		
		723 960 111	5		
		723 960 112	5		
		723 960 113	10		
		723 960 114	5		
		723 960 117	2		

PF 2 32 450 005

Hose nozzle PVC-C metric

Model:

- With solvent cement spigot and parallel hose connection

d [mm]	PN	Code	[kg]	D _m	L _m
16		723 960 405	10		
		723 960 406	10		
		723 960 407	10		
		723 960 408	10		

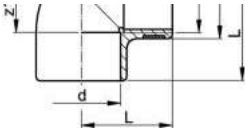
PF 2 32 450 024

Adaptor fittings

Elbow 90° PVC-C metric Rp

Model:

- With solvent cement socket metric and parallel female thread Rp
- Reinforcing ring stainless (A2)
- Connection to plastic or metal threads
- Install with low mechanical stress and avoid large cyclic temperature changes
- Do not use thread sealing pastes that are harmful to PVC-C



PF 2 32 450 011

Rp [inch]	d [mm]	PN [bar]	Code	SP	Weight [kg]	z1 [mm]	z2 [mm]	D [mm]	L [mm]
½	20	16	723 100 206	10	0.024	11	14	30	27
¾	25	16	723 100 207	10	0.037	14	17	35	33
1	32	16	723 100 208	40	0.063	17			
¼	40		723 100 209	100					
½	50		723 100 210	5					
			723 100 211	10					

Socket PVC-C metric Rp

Model:

- With solvent cement socket metric and parallel female thread Rp
- Reinforcing ring stainless (A2)
- Connection to plastic or metal threads
- Install with low mechanical stress and avoid large cyclic temperature changes
- Do not use thread sealing pastes that are harmful to PVC-C

Rp [inch]	dn [mm]	PN [bar]	Code	[kg]	zn [mm]	ln [mm]	sn [mm]
½	20		723 910 206	10			
¾	25		723 910 207	10			
			723 910 208	10			
¼	40		723 910 209	10			
½	50		723 910 210	10			
			723 910 211	5			

PF 2 32 450 012

Reducing bush PVC-C metric Rp

Model:

- With solvent cement spigot metric and parallel female thread Rp
- Reinforcing ring stainless (A2)
- Connection to plastic or metal threads
- Install with low mechanical stress and avoid large cyclic temperature changes

d [mm]	Rp [mm]	PN [bar]	Code	[kg]	zn [mm]	dn [mm]	ln [mm]
20	¾	16	723 910 434	10			
	½	16	723 910 437	10			
	¾	16	723 910 441	10			
			723 910 446	10			
	¼	16	723 910 452	10			
	½	16	723 910 458	5			

PF 2 32 450 022

Adaptor nipple PVC-C metric R

Model:

- With solvent cement spigot metric and taper male thread R
- Connection to plastic threads only
- Install with low mechanical stress and avoid large cyclic temperature changes
- Do not use thread sealing pastes that are harmful to PVC-C

R [inch]	d [mm]	PN [bar]	Code	SP	Weight [kg]	L [mm]	z [mm]	s [mm]
3/8	16	16	723 910 505	10	0.012	35	8	27

PF 2 32 450 018

Adaptor socket nipple PVC-C metric R

Model:

- With solvent cement spigot/socket metric and taper male thread R
- Connection to plastic threads only
- Install with low mechanical stress and avoid large cyclic temperature changes
- Do not use thread sealing pastes that are harmful to PVC-C

d [mm]	R [inch]	d1 [mm]	PN [bar]	Code	SP	Weight [kg]	z [mm]	z1 [mm]	Ømm
16	1/2	20		723 910 556	10				
		25		723 910 557	10				
		40		723 910 558	10				
		50		723 910 559	10				
		50		723 910 560	10				
				723 910 561	5				

PF 2 32 450 023

Installation fitting type 310 PVC-C For socket systems metric

Range of use:

- Compatible Signet flow sensors: type 2551, 2537, 515, 8510, 2536, 8512
- Compatible Signet pH/ORP sensors: type 2724, 2725, 2726

Attention:

- sensor length depends on installation fitting

Model:

- Threaded outlet 1 1/4" NPSM
- Body and union nut PVDF
- Union end with solvent cement socket PVC-C

d [mm]	DN1	DN2	EPDM Code	[kg]	FPM Code	[kg]
20			723 310 006	1	723 310 036	1
			723 310 007	1	723 310 037	1
			723 310 008	1	723 310 038	1
			723 310 009	1	723 310 039	1
			723 310 010	1	723 310 040	1
			723 310 011	1	723 310 041	1

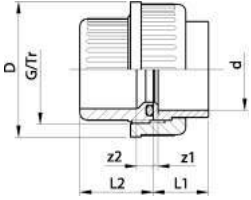
Ømm	DN1	Lmm	Ømm	L1mm	DNmm	Hmm	Sensor Type
20							

PF 2 98 930 004

Unions

Solvent cement unions

Union for solvent cement jointing PVC-C metric



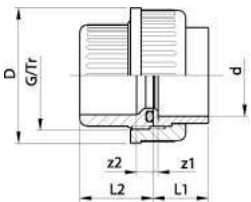
Model:

- Silicone free / paint-compatible
- Union End: solvent socket metric
- Union bush: Solvent cement socket metric
- With O-ring gasket

d [mm]	PN [bar]	EPDM Code	SP	Weight [kg]	FPM Code	SP	Weight [kg]
16	16	723 510 155	10	0.028	723 510 180	0	0.028
20	16	723 510 156	10	0.046	723 510 181	0	0.046
25	16	723 510 157	10	0.071	723 510 182	0	0.071
32	16	723 510 158	10	0.099	723 510 183	0	
		723 510 159	10		723 510 184	0	
50		723 510 160	5		723 510 185	0	
		723 510 161	10		723 510 186	0	
		723 510 162	2		723 510 187	0	
		723 510 163	2		723 510 188	0	
		723 510 164	2		723 510 189	0	

L2 [mm]	z1m	z2m	Dm	L1m	G/Tr
24					
46					

PF 2 32 450 021



Union PVC-C metric

Model:

- Union End: Solvent cement socket metric
- Union bush: Solvent cement socket metric
- Jointing face: With O-ring groove
- Gasket: O-ring EPDM code no. 748 410 005-016, for d90 748 410 248

d [mm]	PN [bar]	EPDM Code	Weight [kg]	FPM Code	Weight [kg]
16		723 510 105	10	723 510 130	10
		723 510 106	10	723 510 131	10
		723 510 107	10	723 510 132	10
		723 510 108	10	723 510 133	10
		723 510 109	10	723 510 134	10
50		723 510 110	5	723 510 135	10
		723 510 111	10	723 510 136	10
		723 510 112	2	723 510 137	2
		723 510 313	2	723 510 338	2
		723 510 114	1	723 510 139	1

z1m	z2m	Dm	L1m	L2m	G/Tr
3					
3					

PF 2 32 450 007

Adaptor unions

Adaptor union PVC-C metric Rp



Model:

- Union End: Solvent cement socket metric
- Union Bush: Parallel female thread Rp
- Gasket: O-ring EPDM code no. 748 410 005-011
- Connection to plastic threads only
- Do not use thread sealing pastes that are harmful to PVC-C

Rp [inch]	d [mm]	PN [bar]	EPDM Code	SP	Weight [kg]	FPM Code	SP	Weight [kg]
3/8	16	16	723 510 205	10	0.022	723 510 230	0	0.022
1/2	20	16	723 510 206	10	0.047	723 510 231	0	0.040
3/4	25	16	723 510 207	10	0.065	723 510 232	0	0.065
1	32		723 510 208	10		723 510 233	0	
1 1/4	40		723 510 209	10		723 510 234	0	
1 1/2	50		723 510 210	2		723 510 235	0	
			723 510 211	2		723 510 236	0	

z1 [mm]	z2 [mm]	Dm [mm]	L1 [mm]	L2 [mm]	Gch [mm]
3					

PF 2 32 450 033

Adaptor union PVC-C metric/ASTM



Model:

- Union bush: Solvent cement socket metric
- Union End: solvent cement socket inch ASTM
- Gasket: O-ring EPDM code no. 748 410 005-011

d [mm]	inch	PN	EPDM Code	[kg]	FPM Code	[kg]
16			723 514 105	10	723 514 130	0
			723 514 106	10	723 514 131	0
			723 514 107	10	723 514 132	0
			723 514 108	10	723 514 133	0
			723 514 109	10	723 514 134	0
			723 514 110	5	723 514 135	0
			723 514 111	10	723 514 136	0

Dm [mm]	z1 [mm]	z2 [mm]	Dm [mm]	L1 [mm]	L2 [mm]	Gch [mm]
16						

PF 2 32 450 034

Adaptor union PVC-C/stainless steel metric Rp

Model:

- Union Nut: PVC-C
- Union Bush: Solvent cement socket PVC-C metric
- Union End: Stainless Steel WN 1.4404 (316L), parallel female thread Rp
- Gasket: O-ring EPDM code no. 748 410 005-011

d [mm]	Rp [inch]	PN [bar]	EPDM Code	SP	Weight [kg]	FPM Code	SP	Weight [kg]
16	3/8	16	723 540 205	10	0.053	723 540 230	0	0.053
20	1/2	16	723 540 206	10	0.096	723 540 231	0	0.096
25	3/4	16	723 540 207	5	0.154	723 540 232	0	0.154
32	1		723 540 208	5		723 540 233	0	
	1/4	16	723 540 209	2		723 540 234	0	
	1/2	16	723 540 210	2		723 540 235	0	
		16	723 540 211	2		723 540 236	0	

z1 [mm]	z2 [mm]	D [mm]	L [mm]	L1 [mm]	L2 [mm]	Cch [mm]	S [mm]
9							

PF 2 32 450 037

Adaptor union PVC-C/stainless steel metric R

Model:

- Union Nut: PVC-C
- Union Bush: Solvent cement socket PVC-C metric
- Union End: Stainless Steel WN 1.4404 (316L), taper male thread R
- Gasket: O-ring EPDM code no. 748 410 005-011

R [inch]	D [mm]	PN	EPDM Code	SP	Weight [kg]	FPM Code	SP	Weight [kg]
3/8	16		723 540 705	10		723 540 730	0	
	20		723 540 706	10		723 540 731	0	
1/2	25		723 540 707	5		723 540 732	0	
			723 540 708	5		723 540 733	0	
3/4	40		723 540 709	2		723 540 734	0	
1/2	50		723 540 710	2		723 540 735	0	
			723 540 711	2		723 540 736	0	

z1 [mm]	D [mm]	L [mm]	L1 [mm]	L2 [mm]	Cch [mm]	S [mm]
40						

PF 2 32 450 037

Adaptor union PVC-C/stainless steel metric welding end

Model:

- Union Nut: Stainless Steel WN 1.4404 (316L)
- Union Bush: Solvent cement socket PVC-C metric
- Union End: Stainless Steel 1.4404 (316L) with welding end
- Gasket: O-ring EPDM code no. 748 410 005-011

d1 [mm]	d [mm]	PN [bar]	EPDM Code	SP	Weight [kg]	FPM Code	SP	Weight [kg]
17	16	16	723 545 505	10	0.101	723 545 530	0	0.101
21	20	16	723 545 506	10	0.176	723 545 531	0	0.171
27	25	16	723 545 507	5	0.204	723 545 532	0	0.204
34	32		723 545 508	5		723 545 533	0	
			723 545 509	2		723 545 534	0	
			723 545 510	2		723 545 535	0	
			723 545 511	2		723 545 536	0	

z [mm]	l _{1m} [mm]	l _{1f} [mm]	l _{2h} [mm]	s _{1m} [mm]	G _{ch} [mm]	s _{2m} [mm]
28						

PF 2 32 450 037

Adaptor union PVC-C/malleable iron galvanised metric Rp

Model:

- Union Nut: PVC-C
- Union Bush: Solvent cement socket PVC-C metric
- Union End: malleable iron with parallel female thread Rp
- Gasket: O-ring EPDM code no. 748 410 006-011

Rp [inch]	ϕ _{1m} [mm]	Code	[kg]	z _{2m} [mm]	G _{ch} [mm]	s _{2m} [mm]	z _{1m} [mm]	l _{1m} [mm]	l _{2h} [mm]	l _{1f} [mm]	ϕ _{2m} [mm]
½	20	723 530 306	10								
¾	25	723 530 307	5								
		723 530 308	5								
¼	40	723 530 309	2								
½	50	723 530 310	2								
		723 530 311	5								

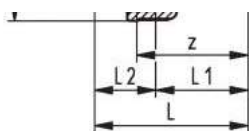
PF 2 32 450 019

Adaptor union PVC-C/malleable iron galvanised metric R

Model:

- Union Nut: PVC-C
- Union End: Malleable iron with taper male thread R
- Union Bush: Solvent cement socket PVC-C metric
- Gasket: O-ring EPDM code no. 748 410 006-011

R [inch]	d [mm]	Code	SP	Weight [kg]	s [mm]	L2 [mm]	G [inch]	z [mm]	L1 [mm]	D [mm]	L [mm]
1/2	20	723 530 806	10	0.114	25	26	1	50	40	43	66
3/4	25	723 530 807	5	0.165	31	29	1 1/4	53	43	51	
		723 530 808	5								
1/4	40	723 530 809	2								
1/2	50	723 530 810	2								
		723 530 811	8								



PF 2 32 450 020

Adaptor union PVC-C/brass metric Rp

Model:

- Union Nut: PVC-C
- Union Bush: Solvent cement socket PVC-C metric
- Union End: Brass with parallel female thread Rp
- Gasket: O-ring EPDM code no. 748 410 006-011

Rp [inch]	DN [mm]	DN*	Code	[kg]	L1 [mm]	DN	L1 [mm]	L2 [mm]	S [mm]	Z1 [mm]	Z2 [mm]	Gch
1/2	16		723 550 506	10								
3/4	16		723 550 507	5								
			723 550 508	5								
1/4	16		723 550 509	2								
1/2	16		723 550 510	2								
			723 550 511	5								

Adaptor union PVC-C/brass metric R

Model:

- Union Nut: PVC-C
- Union Bush: Solvent cement socket PVC-C metric
- Union End: Brass with taper male thread R
- Gasket: O-ring EPDM code no. 748 410 006-011

R [inch]	DN [mm]	DN*	Code	[kg]	Z [mm]	S [mm]	Gch	L1 [mm]	DN	L1 [mm]	L2 [mm]
1/2	20		723 550 906	10							
1/2	25		723 550 957	5							
3/4	25		723 550 907	5							
			723 550 967	5							
1/2	32		723 550 958	5							
3/4	32		723 550 968	5							
			723 550 908	5							
1/4	40		723 550 909	2							
1/2	50		723 550 910	2							
			723 550 911	8							

Spare parts unions O-Ring gasket

Model:

- For unions and adaptor unions
- Hardness approx. 65° Shore
- EPDM minimum temperature -40°C
- FPM minimum temperature -15°C

DN [mm]	d [mm]	EPDM Code	PF	SP	Weight [kg]			
8	10 - 12	748 410 004	2 30 162 006	100	0.002			
10	16	748 410 005	2 30 162 006	0	0.001			
15	20	748 410 006	2 30 162 006	0	0.001			
20	25	748 410 007	2 31 800 999	0	0.004			
25	32	748 410 008	2 30 162 006	0	0.002			
32		748 410 009	2 30 162 006					
		748 410 010	2 30 162 006					
		748 410 011	2 30 162 006					
		748 410 014	2 31 800 999					
		748 410 248	2 30 162 006					
		748 410 016	2 31 800 999					

FPM Code			[kg]	D _{mm}	closest inch [inch]	D ₁ [inch]	D ₂ [inch]	
749 410 004	2 30 162 006				¼	12		
749 410 005	2 30 162 006				⅜	16		
749 410 006	2 30 162 006				½	20		
749 410 007	2 31 800 999				¾	28		
749 410 008	2 30 162 006							
749 410 009	2 30 162 006				¼	41		
749 410 010	2 30 162 006				½	47		
749 410 011	2 30 162 006							
749 410 014	2 31 800 999				½	82		
749 410 248	2 30 162 006							
749 410 016	2 31 800 999							

Union nut PVC-C

Model:

- For union 723 510 105-114

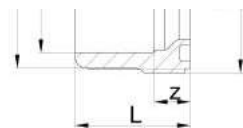
d [mm]	PN	Code		[kg]	L _{mm}	G _{Tr}	
16		723 690 005	0				
		723 690 006	0				
		723 690 007	0				
		723 690 008	0				
		723 690 009	0				
50		723 690 010	0				
		723 690 011	0				
		723 690 012	0				
		723 690 013	0				
		723 690 014	0				

PF 2 32 450 999

Union bush PVC-C metric

Model:

- Solvent cement socket metric
- For union 723 510 105-114
- Jointing face: With O-Ring groove
- Gasket: O-ring EPDM code no. 748 410 005-016



PF 2 32 450 999

d [mm]	PN [bar]	Code	SP	Weight [kg]	z [mm]	D [mm]	L [mm]	G/Tr [inch]
16	16	723 840 105	10	0.009	11	24	25	3/4
20	16	723 840 106	10	0.014	12	28	26	1
25	16	723 840 107	10	0.024	11	33	29	1 1/4
32	16	723 840 108	10					
		723 840 109	10					
50		723 840 110	10					
		723 840 111	10					
		723 840 112	20					
		723 840 123	12					
		723 840 114	10					

Union bush PVC-C Rp

Model:

- With parallel female thread Rp
- For union 723 510 105-114
- Jointing face: With O-Ring groove
- Connection to plastic threads only
- Do not use thread sealing pastes that are harmful to PVC-C
- Gasket: O-ring EPDM code no. 748 410 005-011



PF 2 32 450 027

Rp [inch]	PN	Code		[kg]	z[mm]	D[mm]	L[mm]	Gch
3/8	10	723 840 605	10					
1/2	10	723 840 606	10					
3/4	10	723 840 607	10					
		723 840 608	10					
1/4	10	723 840 609	10					
1/2	10	723 840 610	10					
		723 840 611	10					

Union end PVC-C metric

Model:

- For union 723 510 105-114
- With solvent cement socket metric

PF 2 32 450 999

d [mm]	PN	Code		[kg]	z[mm]	D[mm]	D1[mm]	L[mm]
16		723 800 105	10					
		723 800 106	10					
		723 800 107	10					
		723 800 108	10					
		723 800 109	10					
50		723 800 110	10					
		723 800 111	10					
		723 800 162	20					
		723 800 163	12					
		723 800 164	10					

Union end PVC-C ASTM

Model:

- For union 723 510 105-114
- With solvent cement socket ASTM

Inch [inch]	PN [bar]	Code	PF	SP	Weight [kg]	z [mm]	D [mm]	D1 [mm]	L [mm]
3/8	16	723 602 005	2 32 450 032	0	0.006	3	24	22	22
1/2	16	723 602 006	2 32 450 032	0	0.013	3	30	28	25
3/4	16	723 602 007	2 32 450 032	0	0.017	3			
		723 602 008	2 32 450 032						
		723 602 009	2 32 450 032						
11/2		723 602 010	2 32 450 032						
		723 602 011	2 32 450 032			3			
		723 602 012				5			
		723 602 013				5			
		723 602 014				5			

Union end malleable iron galvanized R

Model:

- Union End: Malleable iron with taper male thread R

R [inch]	ϕmm	Code	[kg]	Dmm	Lmm	D1mm	zmm	ϕmm
1/2	20	724 600 806	200					
3/4	25	724 600 807	120					
		724 600 808	0					
1/4	40	724 600 809	0					
1/2	50	724 600 810	0					
2		724 600 811	15					
1/2	75	724 600 812	0					
		724 600 813	0					

PF 2 30 153 999

Union end malleable iron galvanized Rp

Model:

- Union End: malleable iron with parallel female thread Rp

d [mm]	Rph	PN	Code	[kg]	Dmm	Lmm	ϕmm	zmm	D1mm
20	1/2	16	724 600 206	100					
	3/4	16	724 600 207	0					
			724 600 208	120					
	1/4	16	724 600 209	0					
	1/2	16	724 600 210	1					
63			724 600 211	0					
	1/2	16	724 600 212	35					
			724 600 213	0					

PF 2 30 153 999

Union end brass R

Model:

- Union End: Brass with taper male thread R

d [mm]	Rch	Code	[kg]	zmm	D1mm	Dmm	ϕmm	Lmm
20	1/2	720 600 246	1					
	3/4	720 600 247	1					
	1/2	720 600 257	1					
		720 600 248	1					
	1/2	720 600 258	1					
32	3/4	720 600 268	1					
	1/4	720 600 249	1					
	1/2	720 600 250	1					
		720 600 251	1					
	1/2	720 600 252	1					
		720 600 253	1					

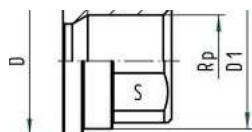
PF 2 30 153 999

Union end brass Rp

Model:

- Union End: Brass with parallel female thread Rp

Rp [inch]	d [mm]	Code	SP	Weight [kg]	L [mm]	s [mm]	D [mm]	D1 [mm]	z [mm]
1/2	20	720 600 236	1	0.059	22	25	30	28	5
3/4	25	720 600 237	1	0.100	25	30	39	36	6
1	32	720 600 238	1	0.128	27	36			
1/4	40	720 600 239	1						
1/2	50	720 600 240	1						
2		720 600 241	1						
1/2	75	720 600 242	1						
		720 600 243	1						



PF 2 30 153 999

Union end stainless steel R

Model:

- Material: Stainless Steel 1.4404 (316L)
- Taper male thread R

R [inch]	RN	Code	[kg]	Dmm	D1mm	Lmm	Smm
3/8	16	724 600 705	10				
1/2	16	724 600 706	10				
3/4	16	724 600 707	10				
		724 600 708	10				
1/4	16	724 600 709	10				
1/2	16	724 600 710	10				
		724 600 711	10				

PF 2 30 153 999

Union end stainless steel Rp

Model:

- Material: Stainless Steel 1.4404 (316L)
- Parallel female thread Rp

Rp [inch]	RN	Code	[kg]	Zmm	Dmm	D1mm	Lmm	Smm
3/8	16	724 600 655	10					
1/2	16	724 600 656	10					
3/4	16	724 600 657	10					
		724 600 658	10					
1/4	16	724 600 659	10					
1/2	16	724 600 660	10					
		724 600 661	45					

PF 2 30 153 999

Flange adaptors

Flange adaptor PVC-C

Combined jointing face flat and serrated metric

Model:

- Gasket: flat gasket EPDM code no. 748 400 306-320
- Flange: code no. 727 700 406-420, 727 700 206-220, 721 700 006-020
- Gasket: profile flange gasket EPDM code no. 748 440 706-720, FPM code no. 749 440 706-720

Note:

* bevel on pipe may be needed if used with butterfly valve type 037/038/039

	d [mm]	DN [mm]	PN [bar]	Code	SP	Weight [kg]	z [mm]	D [mm]	D1 [mm]	L [mm]	L1 [mm]
	20	15	16	723 790 106	10	0.011	3	27	34	21	6
	25	20	16	723 790 107	10	0.018	3	33	41	24	7
	32	25		723 790 108	10						
				723 790 109	10						
				723 790 110	10						
	63			723 790 111	10						
				723 790 112	10						
				723 790 113	10						
				723 790 114	10						
				723 790 117	12						
				723 790 119	2						
				723 790 120	2						

PF 2 32 450 006

Flange adaptor PVC-C with O-ring groove metric

Model:

- Counterpart: flange adaptor code no. 723 790 117, 723 790 120
- Gasket: O-ring EPDM code no. 748 410 019, 748 410 022; FPM code no. 749 410 019, 749 410 022
- Flange: code no. 727 700 406-420, 727 700 206-220, 721 700 006-020

d [mm]	PN	Code	[kg]	z [mm]	D [mm]	D1 [mm]	L [mm]	L1 [mm]
160		723 810 117	12					
		723 810 120	2					

PF 2 32 450 030

Backing flanges

Backing flange PP-V For socket systems metric

¹⁾ Suitable for socket- and butt fusion systems (no pictograph on flange)

* Combined version, metric-ANSI

AL: number of holes

Model:

- UV-resistant. Applicable for outside applications
- With V-groove which applies force evenly on collar
- Connecting dimension: ISO 7005, EN 1092, BS 4504, DIN 2501
- **Bolt circle PN 10**
- Modern full-plastic flange PP-GF (30 % glass-fibre reinforced)
- With integrated bolt retainers as an assembly aid

	d [mm]	DN [mm]	PN [bar]	Code	PF	SP	Weight [kg]
	20	15	16	727 700 406	2 34 238 030	56	0.093
	25	20	16	727 700 407	2 34 238 030	38	0.120
	32	25	16	727 700 408	2 34 238 030	80	0.151
	40	32	16	727 700 409	2 34 238 030	40	0.244
	50	40	16	727 700 410	2 34 238 030		
	63			727 700 411	2 34 238 030		
				727 700 412	2 34 238 030		
				727 700 413	2 34 238 030		
				727 700 414	2 34 238 030		
				727 700 416	2 34 238 030		
	160			727 700 417	2 34 238 032		
				727 700 419	2 34 238 032		
				727 700 420	2 34 238 032		
				727 700 421	2 34 238 030		

	d [mm]	Ø _m	Ø ₁	Ø ₂	Ø ₃	H _m	AL
	20						
	63						
	160						

Backing flange PP-V For socket systems Inch ANSI

AL: number of holes

* Combined version, metric-ANSI

- 727701414, 727700417, 727700419: only for use with original metric flange adaptors
- 1) Suitable for socket- and butt fusion systems (no pictograph on flange)

Model:

- UV-resistant. Applicable for outside applications
- Connecting dimension: ANSI/ASME B 16.5 class 150, ASTM D 4024, BS 1560, BS EN 1759
- **Bolt circle class 150**
- Modern full-plastic flange PP-GF (30 % glass-fibre reinforced)
- With V-groove which applies force evenly on collar
- With integrated bolt-fixing as an assembly aid

	Size [inch]	DN [mm]	d [mm]	PN [bar]	Code	SP	Weight [kg]
1	½	15	20	16	727 701 406	56	0.091
1	¾	20	25	16	727 701 407	38	0.120
1	1	25	32	16	727 701 408	80	0.147
1	1 ¼	32	40	16	727 701 409	40	0.246
	½	40			727 701 410	30	
1					727 701 411	25	
	½	65			727 701 412	19	
					727 701 413	14	
					727 701 414	12	
					727 700 417		
*					727 700 419		
*					727 700 420		

	D [mm]	D1 [mm]	D2 [mm]	D3 [mm]	H [mm]	AL
1						
1						

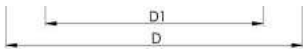
PF 2 34 238 032

Backing Flange PP-Steel for Socket Systems Inch/ANSI

- 727701214, 727700217: only for use with original metric flange adaptors
- AL: number of holes

Model:

- For Flange Adaptors BS/ANSI
- Material: PP (30% glass-fibre reinforced) with steel ring
- UV-resistant. Applicable for outside applications
- Connecting dimension: ANSI/ASME B 16.5 class 150, ASTM D 4024, BS 1560, BS EN 1759
- **Bolt circle class 150**



PF 2 34 238 021

d [inch]	d [mm]	Code	Weight [lb]	D1 [mm]	D2 [mm]	D3 [mm]	D [mm]	H [mm]	AL	SC
1/2	20	727 701 206	0.470	60	28	16	95	12	4	M12
3/4	25	727 701 207	0.573	70	34	16	105	12	4	M12
1	32	727 701 208	0.917							
1/4	40	727 701 209	1.609							
1/2	50	727 701 210	1.784							
2		727 701 211	1.909							
1/2	75	727 701 212	2.463							
		727 701 213	3.289							
		727 701 214	3.737							
		727 700 217		240						
		727 701 220	9.861							

Seals

Flat gasket

Flat gasket

Model:

- For all metric GF Flange Adaptors
- Hardness approx. 65° Shore
- Integrated fixation aids from d110
- Centering on the inner diameter of the screw crown

di FA are the suitable inner diameters of flanges adaptors

d [mm]	DN [mm]	PN [bar]	Type	EPDM Code	SP	Weight [kg]
16	10	10	A	748 400 305	0	0.004
20	15	10	A	748 400 306	0	0.012
25	20	10	A	748 400 307	0	0.004
32	25	10	A	748 400 308	0	0.008
40	32	10	A	748 400 309	0	
50				748 400 310	0	
				748 400 311	0	
				748 400 312	0	
				748 400 313	0	
				748 400 314	0	
				748 400 315	0	
				748 400 316	0	
125				748 400 317	0	
				748 400 319	0	
				748 400 320	0	
				748 400 320	0	

d [mm]	DN [mm]	D _m [mm]	D _{1n} [mm]	D _{2n} [mm]	D _{3n} [mm]	H [mm]	d _{in} FA
16							
50							
125							

PF 2 30 162 003

Profiled gasket

Profile Flange Gasket, metric EPDM / FPM

Model:

- For all metric GF Flange Adaptors
- Profile Gasket with steel insert (type G-ST-P/K)
- Hardness: 70° Shore EPDM, 75° Shore FPM
- EPDM: approved acc. to DVGW W 270, KTW recommendation
- Centering on the inner diameter of the screw crown
- material steel insert: carbon steel

di FA are the suitable inner diameters of flanges adaptors

d [mm]	PN [bar]	DN [mm]	EPDM Code	FPM Code	Weight [kg]	D [mm]	D1 [mm]	H [mm]	H1 [mm]	di FA [mm]
16	16	10	748 440 705	749 440 705	0.012	46	16	4	3	6 - 16
			748 440 706	749 440 706	0.013					
			748 440 707		0.014					
50	16	20	748 440 708		0.019	51	20	4	3	10 - 20
			748 440 709		0.026					
			748 440 710		0.039					
			748 440 711		0.050					
			748 440 712		0.082					
125	16	20	748 440 713		0.083	51	20	4	3	10 - 20
			748 440 714		0.127					
			748 440 715		0.105					
			748 440 716		0.173					
			748 440 717		0.207					
			748 440 719		0.263					
			748 440 720		0.255					

PF 2 30 162 037

O-Ring gasket

Model:

- For Flange Adaptors
- Hardness approx. 65° Shore

d [mm]	DN [mm]	EPDM Code		[kg]	FPM Code		[kg]
160		748 410 019	200		749 410 019	200	
		748 410 022	100		749 410 022	150	

d [mm]	D [mm]	D1 [mm]	D2 [mm]	closest inch [inch]
160				

PF 2 31 800 999

Pipe clips metric

KLIP-IT pipe clip type 061 PP metric

Model:

- Material: Clip and safety clip PP black, UV resistant, bolts galvanized
- d16 - d63: Height designed for Ball Valve Type 546 and 543
- **Minimum order quantity: standard packagings SP**

	d [inch]	d [mm]	Code	SP	Weight [kg]
*		10	167 061 003	10	0.003
*		12	167 061 004	10	0.003
*		16	167 061 035	1	0.007
		20	167 061 036	1	0.007
		25	167 061 037	10	0.009
*		32	167 061 038	10	0.012
		40	167 061 039	10	
			167 061 040	10	
			167 061 041	10	
	½	75	167 061 012	10	
	3		167 061 013	10	
			167 061 014	10	
			167 061 015	10	
			167 061 016	10	
			167 061 017	10	

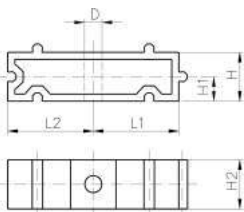
	H1 [mm]	H3 [mm]	closest inch [inch]	D1 [mm]	HoH +/- 2mm [mm]	L1 [mm]	Dm	Hm	L2 [mm]	H2 [mm]	SC
*			1/8	8							
			1/4	8							
			3/8	11							
			1/2	11							
			3/4	11							
*			1/4	14							
			1/2	14							
			1/2	17							
	10										

PF 2 30 162 023

KLIP-IT spacer type 061 PP

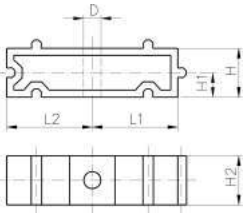
Model:

- For pipe clips Type 061/061H, PP black, UV resistant
- **Minimum order quantity: standard packaging SP**



Inch [inch]	ϕm [mm]	Code		[kg]
1/8 - 1/4	10 - 12	167 061 153	10	
3/8	16	167 061 155	10	
1/2	20	167 061 156	10	
3/4	25	167 061 157	10	
		167 061 158	10	
1 1/4	40	167 061 159	10	
1/2	50	167 061 160	10	
		167 061 161	10	
1/2	75	167 061 162	10	
		167 061 163	10	
4		167 061 164	10	
1/2	125	167 061 165	10	
		167 061 166	10	
		167 061 167	10	

table continued next page



HoH +/- 2mm [mm]	D [mm]	L1 [mm]	L2 [mm]	H [mm]	H1 [mm]	H2 [mm]	SC
1.0	5	11	14	20	10	12	M4
17.0	6	14	17	20	10	16	M5
21.4	6	17	19	20	10	16	M5
26.9	6	19	22	20	10	16	
44.4							
127.3							

PF 2 30 162 023

KLIP-IT pipe clip type 061 PE metric

- Height not designed for ball valve 546 and 543. Please use spacer 73 06 11.

Model:

- Material: Clip PE and safety clip PP black, bolts galvanized
- **Minimum order quantity: standard packaging SP**

	d [mm]	Code	[kg]
*		173 061 003	10
		173 061 004	10
		173 061 005	10
		173 061 006	10
		173 061 007	10
*		173 061 008	10
		173 061 009	10
		173 061 010	10
		173 061 011	10
		173 061 012	10
	90	173 061 013	10
		173 061 014	10
		173 061 015	10
		173 061 016	10
		173 061 017	10

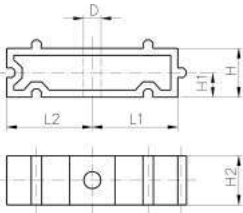
	HoH +/- 2mm	D _{1n}	D _{2n}	L _{1n}	L _{2n}	H _{1n}	H _{2n}	H _{3n}	SC
*									
*									
	100								

PF 2 30 162 026

KLIP-IT spacer type 061 PE

Model:

- **Minimum order quantity: standard packaging SP**
- For pipe clips Type 061, PE black, UV resistant



d [mm]	Inch [inch]	Code	SP	Weight [kg]	
16	1/8-1/4	173 061 153	10	0.003	
	3/8	173 061 155	10	0.005	
	1/2	173 061 156	10	0.005	
	3/4	173 061 157	10	0.006	
	1	173 061 158	10	0.008	
	11/4	173 061 159	10	0.016	
	50	11/2	173 061 160	10	
			173 061 161	10	
			173 061 162	10	
			173 061 163	10	
173 061 164			10		
173 061 165			10		
173 061 166			10		
110		173 061 167	10		

HoH +/- 2mm [mm]	D ₁ [mm]	L ₁ [mm]	L ₂ [mm]	H ₁ [mm]	H ₁ [mm]	H ₂ [mm]	SC
17							
52							
143							

PF 2 30 162 026

Pipe clip type 060 PP metric

Model:

- Material: Clip and safety clip PP black, UV resistant, bolts galvanized
- **Minimum order quantity: standard packaging SP or gross packaging GP**
- Accidental opening of the safety clip is not possible
- Clip and safety clip are not assembled in the packaging.
- Pipes with flanges can be installed directly

d [inch]	d ₁ [mm]	Code	[kg]	closest inch [inch]	D ₁ [mm]	L ₁ [mm]	L ₁ [mm]	H ₁ [mm]	H ₁ [mm]	H ₂ [mm]	SC	
3	180	167 060 038	10									
		167 060 039	10									
		167 060 040	10									
		167 060 041	10									
		167 060 042	10									
	315	167 060 043	10									
		167 060 019	5									
		167 060 020	5									
		167 060 021	5									
		167 060 022	5									
315	167 060 023	5										
	167 060 024	5										
	167 060 025	4										

PF 2 30 162 023

KLIP-IT pipe clip type 061H PP metric

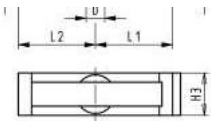
- * d16 to d32 without bracket
- d16 - d63: height designed for Ball Valve Type 546 und 543

Model:

- Material: Clip and safety clip PP black, UV resistant, bolts galvanized
- **Minimum order quantity: standard packagings SP**

	d [mm]	Code	SP	Weight [kg]
*	16	167 061 035	1	0.007
	20	167 061 036	1	0.007
	25	167 061 037	10	0.009
*	32	167 061 038	10	0.012
	40	167 061 039	10	0.027
	50	167 061 040	10	0.031
	63	167 061 041	10	0.052

	d [mm]	HoH +/- 2mm [mm]	closest inch [inch]	D1 _[mm]	D _[mm]	L1 _[mm]	L2 _[mm]	H _[mm]	H1 _[mm]	H2 _[mm]	H3 _[mm]	SC
*			3/8	11								
			1/2	11								
			3/4	11								
			1/4	14								
			1/2	14								



PF 2 30 162 023

PVC-C accessories

Tangit solvent cement for PVC-C

Code	Weight [kg]	
799 298 027	0.700	

PF 2 28 473 006



Tangit Dytex special solvent cement

Model:

- Special solvent cement, transparent.
- For concentrated acids and strong oxidizing agents the use of Dytex is recommended
- 1.350 kg (net) tin

Code	Weight [kg]	
799 298 016	0.668	

PF 2 28 473 003



Cap for cement

Model:

- Cap prevents the evaporation of the solvent whilst using the Tangit cement
- Tangit cement

Code	Weight [kg]	
799 298 028	0.030	

PF 2 28 473 009



Tangit cleaner

Model:

- 1 litre tin

Code	Weight [kg]	
799 298 010	0.868	

PF 2 28 473 002



Round brush

Code	Weight [kg]	
799 299 001	0.004	
799 299 002	0.006	

PF 2 30 217 004

Flat brush



PF 2 30 217 005

Code	Weight [kg]
799 299 003	0.015
799 299 004	0.035
799 299 005	0.053

PPC Plastic pipe cutter

- For cutting plastic pipes d10 - d160

PF 3 25 117 309

Article	d-d [mm]	Code	SP	Weight [kg]	Closest inch [inch]
PPC 63, s max. = 7.2mm	10 - 63	790 109 001	1	0.865	1/8 - 2
PPC 110, s max. = 12.7mm	50 - 110	790 109 002	1	1.624	1 1/2 - 4
PPC 160, s max. = 19.0mm	110 - 160	790 109 003	1	2.212	4 - 6

Replacement cutting wheels

- for plastic pipe cutter

PF 3 25 117 909

d-d [mm]	Article	Weight [kg]
10 - 63	790 109 011	50
	790 109 012	50
	790 109 013	30

Alignment Tool

- To align and position pipes in the dimension range d 110 - 400 mm. The pipes are clamped in the vice, the axial movement takes place by a chain drive. The chain is rotated by the ratcheted (square 19 mm).

PF 3 25 117 325

Article	Code	Weight [kg]
Alignment Tool	790 109 108	0
	790 109 107	0

Chamfering tool

PF 2 35 268 001

d-d	Size	Code	Weight [kg]	Closest inch [inch]
16 - 75 32 - 200		799 495 145	0	3/8 - 2 1/2
		799 495 146	0	



PF 2 55 338 999

Marker

Type	Code	Weight [kg]
silver	799 350 364	0.010



PF 3 25 117 316

Timer with 2 stop times

Code	Weight [kg]
790 114 028	1

"

-

" +7 (499) 195-25-51, +7 (495) 506-88-55
www.resurs-plast.ru

PVC-C Valves

	Page
Ball valves	38
Diaphragm valves new generation	58
Diaphragm valves	60
Butterfly valves	61
Cone check valves	67
Process control valves	71
Pressure regulating valves	72
Strainers	77
Ball valves electric	80
Ball valves pneumatic	106
Diaphragm valves pneumaticNew generation	135
Diaphragm valves pneumatic	150
Butterfly valves electric	153
Butterfly valves pneumatic	161

Ball valves

546

Ball valve type 546 PVC-C With mounting inserts With solvent cement sockets metric

Model:

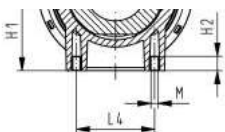
- For easy installation and removal
- Ball seals PTFE
- Integrated stainless steel mounting inserts
- z-dimension, valve end and union nut are **not compatible** with type 346 (DN10/15-50) resp. type 370 (DN65-100)

Option:

- Individual configuration of the valve (see diagram)
- Multifunctional module with integrated limit switches
- Pneumatic or electric actuators from +GF+

d [mm]	DN [mm]	PN [bar]	kv-value ($\Delta p=1$ bar) [l/min]	EPDM Code	SP	Weight [kg]	FPM Code	SP	Weight [kg]
16	10	16	71	163 546 061	1	0.160	163 546 071	1	0.160
20	15	16	185	163 546 062	1	0.169	163 546 072	1	0.160
25	20	16	350	163 546 063	1	0.255	163 546 073	1	
50				163 546 064	1		163 546 074	1	
				163 546 065	1		163 546 075	1	
				163 546 066	1		163 546 076	1	
				163 546 067	1		163 546 077	1	
				163 546 068	1		163 546 078	1	
				163 546 069	1		163 546 079	1	
				163 546 070	1		163 546 080	1	

d [mm]	D [mm]	H [mm]	H1 [mm]	H2 [mm]	L [mm]	L1 [mm]	L2 [mm]	L4 [mm]	L5 [mm]	L6 [mm]	M	[mm]	closest inch [inch]
16													3/8
20													1/2
25													3/4
32													1/4
50													1/2
63													1/2
90													1/2



PF 2 32 541 801

Ball valve type 546 PVC-C

With lockable handle

With solvent cement sockets metric

Model:

- For easy installation and removal
- Ball seals PTFE
- Integrated stainless steel mounting inserts
- z-dimension, valve end and union nut are **not compatible** with type 346 (DN10/15-50) resp. type 370 (DN65-100)
- Lockable hand lever with ratchet settings

Option:

- Individual configuration of the valve (see diagram)
- Multifunctional module with integrated limit switches
- Pneumatic or electric actuators from +GF+

d [mm]	DN [mm]	PN [bar]	kv-val-ue (Δp=1 bar) [l/min]	EPDM Code	SP	Weight [kg]	FPM Code	SP	Weight [kg]
16	10	16	71	163 546 081	1	0.175	163 546 091	1	0.175
20	15	16	185	163 546 082	1	0.175	163 546 092	1	0.175
25	20	16	350	163 546 083	1	0.270	163 546 093	1	
50				163 546 084	1		163 546 094	1	
				163 546 085	1		163 546 095	1	
				163 546 086	1		163 546 096	1	
				163 546 087	1		163 546 097	1	
				163 546 088	1		163 546 098	1	
				163 546 089	1		163 546 099	1	
				163 546 090	1		163 546 100	1	

d [mm]	D ₁ [mm]	H ₁ [mm]	H ₁₁ [mm]	H ₁₂ [mm]	L ₁ [mm]	L ₁₁ [mm]	L ₁₂ [mm]	L ₄ [mm]	L ₅ [mm]	L ₆ [mm]	M	[mm]	closest inch [inch]
16													3/8
20													1/2
25													3/4
32													
50													1/4
63													1/2
90													1/2

PF 2 32 541 801

Ball valve type 546 PVC-C

With mounting inserts

With solvent cement spigots metric

Model:

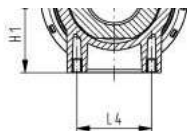
- For easy installation and removal
- Ball seals PTFE
- Integrated stainless steel mounting inserts
- z-dimension, valve end and union nut are **not compatible** with type 346 (DN10/15-50) resp. type 370 (DN65-100)

Option:

- Individual configuration of the valve (see diagram)
- Multifunctional module with integrated limit switches
- Pneumatic or electric actuators from +GF+

d [mm]	DN [mm]	PN [bar]	kv-value ($\Delta p=1$ bar) [l/min]	EPDM Code	SP	Weight [kg]	FPM Code	SP	Weight [kg]
16	10	16	71	163 546 381	1	0.162	163 546 391	1	0.162
20	15	16	185	163 546 382	1	0.162	163 546 392	1	0.162
25	20	16	350	163 546 383	1	0.247	163 546 393	1	
50				163 546 384	1		163 546 394	1	
				163 546 385	1		163 546 395	1	
				163 546 386	1		163 546 396	1	
				163 546 387	1		163 546 397	1	
				163 546 388	1		163 546 398	1	
				163 546 389	1		163 546 399	1	
				163 546 390	1		163 546 400	1	

d [mm]	D _m [mm]	H _m [mm]	H _{1n} [mm]	H _{2n} [mm]	L _{mm} [mm]	L _{1n} [mm]	L _{2n} [mm]	L _{3n} [mm]	L _{4n} [mm]	L _{5n} [mm]	L _{6n} [mm]	M	[inch]
16													3/8
20													1/2
25													3/4
32													
50													1/4
63													1/2
90													1/2



PF 2 32 541 801

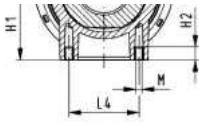
Ball valve type 546 PVC-C With mounting inserts With backing flanges PP-st metric

Model:

- For easy installation and removal
- Ball seals PTFE
- Integrated stainless steel mounting inserts
- z-dimension, valve end and union nut are **not compatible** with type 346 (DN10/15-50) resp. type 370 (DN65-100)
- Overall length according to EN 558
- Connecting dimension: ISO 7005, EN 1092, BS 4504, DIN 2501

Option:

- Individual configuration of the valve (see diagram)
- Multifunctional module with integrated limit switches
- Pneumatic or electric actuators from +GF+



d [mm]	DN [mm]	PN [bar]	kv-val- ue ($\Delta p=1$ bar) [l/min]	EPDM Code	SP	Weight [kg]	FPM Code	SP	Weight [kg]
75	65	16	5000	163 546 108	1	6.000	163 546 118	1	6.546
90	80	16	7000	163 546 109	1	9.501	163 546 119	1	9.320
110	100	16	11000	163 546 110	1	14.200	163 546 120	1	

d [mm]	D _{1n} [mm]	D _{2n} [mm]	D _{3n} [mm]	H _{1n} [mm]	H _{2n} [mm]	L _{1n} [mm]	L _{2n} [mm]	L _{3n} [mm]	L _{4n} [mm]	L _{5n} [mm]	L _{6n} [mm]	M
75												

PF 2 32 541 801

Ball valve type 546 PVC-C With mounting inserts With threaded sockets Rp

Model:

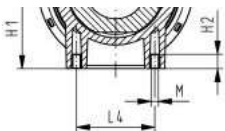
- For easy installation and removal
- Ball seals PTFE
- Integrated stainless steel mounting inserts
- z-dimension, valve end and union nut are **not compatible** with type 346 (DN10/15-50) resp. type 370 (DN65-100)

Option:

- Individual configuration of the valve (see diagram)
- Multifunctional module with integrated limit switches
- Pneumatic or electric actuators from +GF+

Rp [inch]	DN [mm]	PN [bar]	kv-val- ue ($\Delta p=1$ bar) [l/min]	EPDM Code	SP	Weight [kg]	FPM Code	SP	Weight [kg]
3/8	10	10	71	163 546 401	1	0.162	163 546 411	1	0.162
1/2	15	10	185	163 546 402	1	0.162	163 546 412	1	0.162
3/4	20	10	350	163 546 403	1	0.247	163 546 413	1	
				163 546 404	1		163 546 414	1	
1/4	32			163 546 405	1		163 546 415	1	
1 1/2	40			163 546 406	1		163 546 416	1	
				163 546 407	1		163 546 417	1	
1/2	65			163 546 408	1		163 546 418	1	
				163 546 409	1		163 546 419	1	
				163 546 410	1		163 546 420	1	

Rp [inch]	D _m [mm]	H ₁ [mm]	H _{1n} [mm]	H ₂ [mm]	L _{1m} [mm]	L _{1n} [mm]	L ₂ [mm]	L ₄ [mm]	L ₅ [mm]	L ₆ [mm]	M	[mm]
3/8	50											
1/2	50											
3/4	58											
1/4	84											
1 1/2	97											
1/2	166											



PF 2 32 541 801

Ball valve type 546 PVC-C With mounting inserts With solvent cement sockets Inch ASTM Including 2 threaded union ends NPT

Model:

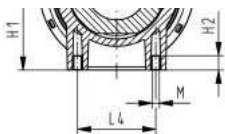
- For easy installation and removal
- Ball seals PTFE
- Integrated stainless steel mounting inserts
- Threaded valve ends are only enclosed for DN10/15-50
- z-dimension, valve end and union nut are **not compatible** with type 346 (DN10/15-50) resp. type 370 (DN65-100)

Option:

- Individual configuration of the valve (see diagram)
- Multifunctional module with integrated limit switches
- Pneumatic or electric actuators from +GF+

Size [inch]	DN [mm]	PN [bar]	kv-val- ue ($\Delta p=1$ bar) [l/min]	EPDM Code	SP	Weight [kg]	FPM Code	SP	Weight [kg]
3/8	10	16	71	163 546 341	1	0.194	163 546 351	1	0.194
1/2	15	16	185	163 546 342	1	0.248	163 546 352	1	0.250
3/4	20	16	350	163 546 343	1	0.358	163 546 353	1	
				163 546 344	1		163 546 354	1	
1/4	32			163 546 345	1		163 546 355	1	
1 1/2	40			163 546 346	1		163 546 356	1	
				163 546 347	1		163 546 357	1	
1/2	65			163 546 348	1		163 546 358	1	
				163 546 349	1		163 546 359	1	
				163 546 350	1		163 546 360	1	

Size [inch]	Dm [mm]	Hm [mm]	H1n [mm]	Lm [mm]	L1n [mm]	L2n [mm]	L4n [mm]	L5n [mm]	L6n [mm]	M [mm]
3/8	50									
1/2	50									
3/4	58									
1/4	84									
1 1/2	97									
1/2	166									



PF 2 32 541 803

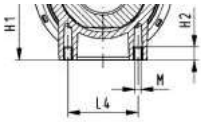
Ball valve type 546 PVC-C With mounting inserts With backing flanges PP-st Inch ANSI

Model:

- For easy installation and removal
- Ball seals PTFE
- Integrated stainless steel mounting inserts
- z-dimension, valve end and union nut are **not compatible** with type 346 (DN10/15-50) resp. type 370 (DN65-100)
- Overall length according to EN 558
- Connecting dimension ANSI/ASME B 16.5 / ASTM D 4024

Option:

- Individual configuration of the valve (see diagram)
- Multifunctional module with integrated limit switches
- Pneumatic or electric actuators from +GF+



Size [inch]	DN [mm]	PN [bar]	kv-value ($\Delta p=1$ bar) [l/min]	EPDM Code	SP	Weight [kg]	FPM Code	SP	Weight [kg]
2 1/2	65	16	5000	163 546 168	1	6.000	163 546 178	1	6.000
3	80	16	7000	163 546 169	1	9.100	163 546 179	1	9.100
4	100	16	11000	163 546 170	1	14.200	163 546 180	1	

Size [inch]	D1n [mm]	D3n [mm]	H1n [mm]	L1n [mm]	L2n [mm]	L3n [mm]	L4n [mm]	L5n [mm]	L6n [mm]	M [mm]
2 1/2	166									

PF 2 32 541 803

543

3-Way ball valve type 543 PVC-C

Horizontal/T-port

With solvent cement sockets metric

Model:

- For easy installation and removal (valve end and union nut are compatible with type 546)
- Ball seals PTFE
- Pneumatic or electric actuator available separately
- Angle of operation 360° without turn limiter
- Turn limiter 90° enclosed, in different positions usable as a clip-on ring
- Integrated stainless steel mounting inserts
- Delivery status A-B-C opened, see flow scheme

d [mm]	DN [mm]	PN [bar]	kv-value (Δp=1 bar) [l/min]	EPDM Code	SP	Weight [kg]	FPM Code	SP	Weight [kg]
16	10	10	140	163 543 201	1	0.264	163 543 211	1	0.264
20	15	10	200	163 543 202	1	0.271	163 543 212	1	0.271
25	20	10	470	163 543 203	1	0.389	163 543 213	1	
				163 543 204	1		163 543 214	1	
				163 543 205	1		163 543 215	1	
				163 543 206	1		163 543 216	1	
				163 543 207	1		163 543 217	1	

d [mm]	D ₁ [mm]	H ₁ [mm]	H ₁₁ [mm]	H ₂ [mm]	L ₁ [mm]	L ₁₁ [mm]	L ₂ [mm]	L ₃ [mm]	L ₄ [mm]	L ₅ [mm]	L ₆ [mm]	M	[mm]	Z ₁ [mm]
16														

d _{hm} [mm]	closest inch [inch]
16	3/8
20	1/2
25	3/4
32	
	1/4
50	1/2
63	

PF 2 32 002 801

3-Way ball valve type 543 PVC-C Horizontal/T-port With lockable handle With solvent cement sockets metric

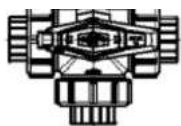
Model:

- For easy installation and removal (valve end and union nut are compatible with type 546)
- Ball seals PTFE
- Pneumatic or electric actuator available separately
- Angle of operation 360° without turn limiter
- Turn limiter 90° enclosed, in different positions usable as a clip-on ring
- Integrated stainless steel mounting inserts
- Multifunctional lever red with ratched setting 45°, lockable
- Delivery status A-B-C opened, see flow scheme

d [mm]	DN [mm]	PN [bar]	kv-value (Δp=1 bar) [l/min]	EPDM Code	SP	Weight [kg]	FPM Code	SP	Weight [kg]
16	10	10	140	163 543 401	1	0.280	163 543 411	1	0.280
20	15	10	200	163 543 402	1	0.286	163 543 412	1	0.286
25	20	10	470	163 543 403	1	0.408	163 543 413	1	
				163 543 404	1		163 543 414	1	
				163 543 405	1		163 543 415	1	
				163 543 406	1		163 543 416	1	
				163 543 407	1		163 543 417	1	

d [mm]	D _m [mm]	H _m [mm]	H _{1n} [mm]	H _{2n} [mm]	L _m [mm]	L _{1n} [mm]	L _{2n} [mm]	L _{3n} [mm]	L _{4n} [mm]	L _{5n} [mm]	L _{6n} [mm]	M [mm]	Z _{1n} [mm]
16													

d _m [mm]	closest inch [inch]
16	¾
20	½
25	¾
32	
50	¼
63	½



PF 2 32 002 801

3-Way ball valve type 543 PVC-C Horizontal/T-port With solvent cement spigots metric

Model:

- For easy installation and removal (valve end and union nut are compatible with type 546)
- Ball seals PTFE
- Pneumatic or electric actuator available separately
- Angle of operation 360° without turn limiter
- Turn limiter 90° enclosed, in different positions usable as a clip-on ring
- Integrated stainless steel mounting inserts
- Delivery status A-B-C opened, see flow scheme

d [mm]	DN [mm]	PN [bar]	kv-val- ue ($\Delta p=1$ bar) [l/min]	EPDM Code	SP	Weight [kg]	FPM Code	SP	Weight [kg]
16	10	10	140	163 543 221	1	0.264	163 543 231	1	0.264
20	15	10	200	163 543 222	1	0.271	163 543 232	1	0.271
25	20	10	470	163 543 223	1	0.389	163 543 233	1	
				163 543 224	1		163 543 234	1	
				163 543 225	1		163 543 235	1	
				163 543 226	1		163 543 236	1	
				163 543 227	1		163 543 237	1	

d [mm]	D ₁ [mm]	H ₁ [mm]	H ₁₁ [mm]	H ₁₂ [mm]	L ₁ [mm]	L ₁₁ [mm]	L ₂ [mm]	L ₃ [mm]	L ₄ [mm]	L ₅ [mm]	L ₆ [mm]	L ₇ [mm]	M	[inch]
16														3/8
20														1/2
25														3/4
32														
50														1/4
63														1/2

PF 2 32 002 801

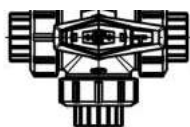
3-Way ball valve type 543 PVC-C Horizontal/T-port With threaded sockets Rp

Model:

- For easy installation and removal (valve end and union nut are compatible with type 546)
- Ball seals PTFE
- Pneumatic or electric actuator available separately
- Angle of operation 360° without turn limiter
- Turn limiter 90° enclosed, in different positions usable as a clip-on ring
- Integrated stainless steel mounting inserts
- Delivery status A-B-C opened, see flow scheme

Rp [inch]	DN [mm]	PN [bar]	kv-value ($\Delta p=1$ bar) [l/min]	EPDM Code	SP	Weight [kg]	FPM Code	SP	Weight [kg]
3/8	10	10	140	163 543 241	1	0.264	163 543 251	1	0.264
1/2	15	10	200	163 543 242	1	0.271	163 543 252	1	0.271
3/4	20	10	470	163 543 243	1	0.389	163 543 253	1	
				163 543 244	1		163 543 254	1	
1/4	32			163 543 245	1		163 543 255	1	
1/2	40			163 543 246	1		163 543 256	1	
				163 543 247	1		163 543 257	1	

Rp [inch]	D ₁ [mm]	H ₁ [mm]	H ₁₁ [mm]	H ₁₂ [mm]	L ₁ [mm]	L ₁₁ [mm]	L ₂ [mm]	L ₃ [mm]	L ₄ [mm]	L ₅ [mm]	L ₆ [mm]	M	[mm]	Z ₁ [mm]
3/8	50													
1/2	50													
3/4	58													
1/4	84													
1/2	97													



PF 2 32 002 801

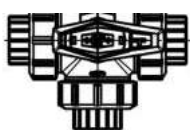
3-Way ball valve type 543 PVC-C Horizontal/T-port With threaded sockets NPT

Model:

- For easy installation and removal (valve end and union nut are compatible with type 546)
- Ball seals PTFE
- Pneumatic or electric actuator available separately
- Angle of operation 360° without turn limiter
- Turn limiter 90° enclosed, in different positions usable as a clip-on ring
- Integrated stainless steel mounting inserts
- Delivery status A-B-C opened, see flow scheme

NPT [inch]	DN [mm]	PN [bar]	kv-val- ue ($\Delta p=1$ bar) [l/min]	EPDM Code	SP	Weight [kg]	FPM Code	SP	Weight [kg]
3/8	10	10	140	163 543 301	1	0.264	163 543 311	1	0.264
1/2	15	10	200	163 543 302	1	0.271	163 543 312	1	0.271
3/4	20	10	470	163 543 303	1	0.389	163 543 313	1	
				163 543 304	1		163 543 314	1	
1/4	32			163 543 305	1		163 543 315	1	
1/2	40			163 543 306	1		163 543 316	1	
				163 543 307	1		163 543 317	1	

NPT [inch]	D _m [mm]	H _m [mm]	H _{1n}	H _{2n}	L _{nm}	L _{1n}	L _{2n}	L _{3n}	L _{4n}	L _{5n}	L _{6n}	M	[mm]	z _{1n}
3/8	50													
1/2	50													
3/4	58													
1/4	84													
1/2	97													



PF 2 32 002 803

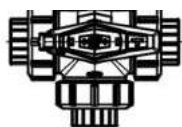
3-Way ball valve type 543 PVC-C Horizontal/T-port With lockable handle With solvent cement sockets ASTM

Model:

- For easy installation and removal (valve end and union nut are compatible with type 546)
- Ball seals PTFE
- Pneumatic or electric actuator available separately
- Angle of operation 360° without turn limiter
- Turn limiter 90° enclosed, in different positions usable as a clip-on ring
- Integrated stainless steel mounting inserts
- Multifunctional lever red with ratched setting 45°, lockable
- Delivery status A-B-C opened, see flow scheme

Size [inch]	DN [mm]	PN [bar]	kv-value (Δp=1 bar) [l/min]	EPDM Code	SP	Weight [kg]	FPM Code	SP	Weight [kg]
3/8	10	10	140	163 543 441	1	0.280	163 543 451	1	0.280
1/2	15	10	200	163 543 442	1	0.286	163 543 452	1	0.286
3/4	20	10	470	163 543 443	1	0.408	163 543 453	1	
				163 543 444	1		163 543 454	1	
1/4	32			163 543 445	1		163 543 455	1	
1/2	40			163 543 446	1		163 543 456	1	
				163 543 447	1		163 543 457	1	

Size [inch]	D _m [mm]	H _{1m} [mm]	H _{1n} [mm]	H ₂ [mm]	L _{1m} [mm]	L _{1n} [mm]	L ₂ [mm]	L ₃ [mm]	L ₄ [mm]	L ₅ [mm]	L ₆ [mm]	M	[mm]	Z ₁ [mm]
3/8	50													
1/2	50													
3/4	58													
1/4	84													
1/2	97													



PF 2 32 002 803

3-Way ball valve type 543 PVC-C Horizontal/L-port With solvent cement sockets metric

Model:

- For easy installation and removal (valve end and union nut are compatible with type 546)
- Ball seals PTFE
- Pneumatic or electric actuator available separately
- Angle of operation 360° without turn limiter
- Turn limiter 90° enclosed, in different positions usable as a clip-on ring
- Integrated stainless steel mounting inserts
- Delivery status A-C opened, see flow scheme

d [mm]	DN [mm]	PN [bar]	kv-val- ue ($\Delta p=1$ bar) [l/min]	EPDM Code	SP	Weight [kg]	FPM Code	SP	Weight [kg]
16	10	10	50	163 543 001	1	0.265	163 543 011	1	0.265
20	15	10	75	163 543 002	1	0.272	163 543 012	1	0.272
25	20	10	150	163 543 003	1	0.391	163 543 013	1	
				163 543 004	1		163 543 014	1	
				163 543 005	1		163 543 015	1	
				163 543 006	1		163 543 016	1	
				163 543 007	1		163 543 017	1	

d [mm]	D ₁ [mm]	H ₁ [mm]	H ₁₁ [mm]	H ₁₂ [mm]	L ₁ [mm]	L ₁₁ [mm]	L ₂ [mm]	L ₃ [mm]	L ₄ [mm]	L ₅ [mm]	L ₆ [mm]	M	[mm]	Z ₁ [mm]
16														

d _h [mm]	closest inch [inch]
16	3/8
20	1/2
25	3/4
32	
50	1/4
63	1/2

PF 2 32 002 801

3-Way ball valve type 543 PVC-C Horizontal/L-port With lockable handle With solvent cement sockets metric

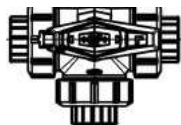
Model:

- For easy installation and removal (valve end and union nut are compatible with type 546)
- Ball seals PTFE
- Pneumatic or electric actuator available separately
- Angle of operation 360° without turn limiter
- Turn limiter 90° enclosed, in different positions usable as a clip-on ring
- Integrated stainless steel mounting inserts
- Multifunctional lever red with ratched setting 45°, lockable
- Delivery status A-C opened, see flow scheme

d [mm]	DN [mm]	PN [bar]	kv-val-ue (Δp=1 bar) [l/min]	EPDM Code	SP	Weight [kg]	FPM Code	SP	Weight [kg]
16	10	10	50	163 543 381	1	0.281	163 543 391	1	0.281
20	15	10	75	163 543 382	1	0.287	163 543 392	1	0.287
25	20	10	150	163 543 383	1	0.410	163 543 393	1	
				163 543 384	1		163 543 394	1	
				163 543 385	1		163 543 395	1	
				163 543 386	1		163 543 396	1	
				163 543 387	1		163 543 397	1	

d [mm]	D _m [mm]	H _m [mm]	H _{1n} [mm]	H _{2n} [mm]	L _m [mm]	L _{1n} [mm]	L _{2n} [mm]	L _{3n} [mm]	L _{4n} [mm]	L _{5n} [mm]	L _{6n} [mm]	M	[mm]	Z _{1n} [mm]
16														

ø _m [mm]	closest inch [inch]
16	¾
20	½
25	¾
32	
	¼
50	½
63	



PF 2 32 002 801

3-Way ball valve type 543 PVC-C Horizontal/L-port With solvent cement spigots metric

Model:

- For easy installation and removal (valve end and union nut are compatible with type 546)
- Ball seals PTFE
- Pneumatic or electric actuator available separately
- Angle of operation 360° without turn limiter
- Turn limiter 90° enclosed, in different positions usable as a clip-on ring
- Integrated stainless steel mounting inserts
- Delivery status A-C opened, see flow scheme

d [mm]	DN [mm]	PN [bar]	kv-val- ue ($\Delta p=1$ bar) [l/min]	EPDM Code	SP	Weight [kg]	FPM Code	SP	Weight [kg]
16	10	10	50	163 543 021	1	0.272	163 543 031	1	0.272
20	15	10	75	163 543 022	1	0.282	163 543 032	1	0.282
25	20	10	150	163 543 023	1	0.408	163 543 033	1	
				163 543 024	1		163 543 034	1	
				163 543 025	1		163 543 035	1	
				163 543 026	1		163 543 036	1	
				163 543 027	1		163 543 037	1	

d [mm]	D ₁ [mm]	H ₁ [mm]	H ₁₁ [mm]	H ₁₂ [mm]	L ₁ [mm]	L ₁₁ [mm]	L ₂ [mm]	L ₃ [mm]	L ₄ [mm]	L ₅ [mm]	L ₆ [mm]	L ₇ [mm]	M	[inch]
16														3/8
20														1/2
25														3/4
32														
50														1/4
63														1/2

PF 2 32 002 801

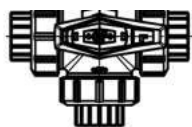
3-Way ball valve type 543 PVC-C Horizontal/L-port With threaded sockets Rp

Model:

- For easy installation and removal (valve end and union nut are compatible with type 546)
- Ball seals PTFE
- Pneumatic or electric actuator available separately
- Angle of operation 360° without turn limiter
- Turn limiter 90° enclosed, in different positions usable as a clip-on ring
- Integrated stainless steel mounting inserts
- Delivery status A-C opened, see flow scheme

Rp [inch]	DN [mm]	PN [bar]	kv-value ($\Delta p=1$ bar) [l/min]	EPDM Code	SP	Weight [kg]	FPM Code	SP	Weight [kg]
3/8	10	10	50	163 543 041	1	0.265	163 543 051	1	0.265
1/2	15	10	75	163 543 042	1	0.272	163 543 052	1	0.272
3/4	20	10	150	163 543 043	1	0.391	163 543 053	1	
				163 543 044	1		163 543 054	1	
1/4	32			163 543 045	1		163 543 055	1	
1/2	40			163 543 046	1		163 543 056	1	
				163 543 047	1		163 543 057	1	

Rp [inch]	D ₁ [mm]	H ₁ [mm]	H ₁₁ [mm]	H ₁₂ [mm]	L ₁ [mm]	L ₁₁ [mm]	L ₂ [mm]	L ₃ [mm]	L ₄ [mm]	L ₅ [mm]	L ₆ [mm]	M	[mm]	Z ₁ [mm]
3/8	50													
1/2	50													
3/4	58													
1/4	84													
1/2	97													



PF 2 32 002 801

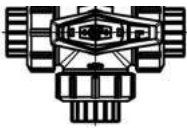
3-Way ball valve type 543 PVC-C Horizontal/L-port With threaded sockets NPT

Model:

- For easy installation and removal (valve end and union nut are compatible with type 546)
- Ball seals PTFE
- Pneumatic or electric actuator available separately
- Angle of operation 360° without turn limiter
- Turn limiter 90° enclosed, in different positions usable as a clip-on ring
- Integrated stainless steel mounting inserts
- Delivery status A-C opened, see flow scheme

NPT [inch]	DN [mm]	PN [bar]	kv-value ($\Delta p=1$ bar) [l/min]	EPDM Code	SP	Weight [kg]	FPM Code	SP	Weight [kg]
3/8	10	10	50	163 543 101	1	0.265	163 543 111	1	0.265
1/2	15	10	75	163 543 102	1	0.272	163 543 112	1	0.272
3/4	20	10	150	163 543 103	1	0.391	163 543 113	1	
				163 543 104	1		163 543 114	1	
				163 543 105	1		163 543 115	1	
1/4	32			163 543 106	1		163 543 116	1	
1/2	40			163 543 107	1		163 543 117	1	

NPT [inch]	D _m [mm]	H _m [mm]	H _{1n}	H _{2n}	L _{nm}	L _{1n}	L _{2n}	L _{3n}	L _{4n}	L _{5n}	L _{6n}	M	[mm]	Z _{1n}
3/8	50													
1/2	50													
3/4	58													
1/4	84													
1/2	97													



PF 2 32 002 803

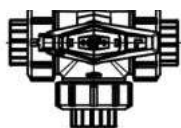
3-Way ball valve type 543 PVC-C Horizontal/L-port With lockable handle With solvent cement sockets ASTM

Model:

- For easy installation and removal (valve end and union nut are compatible with type 546)
- Ball seals PTFE
- Pneumatic or electric actuator available separately
- Angle of operation 360° without turn limiter
- Turn limiter 90° enclosed, in different positions usable as a clip-on ring
- Integrated stainless steel mounting inserts
- Multifunctional lever red with ratched setting 45°, lockable
- Delivery status A-C opened, see flow scheme

Size [inch]	DN [mm]	PN [bar]	kv-value (Δp=1 bar) [l/min]	EPDM Code	SP	Weight [kg]	FPM Code	SP	Weight [kg]
3/8	10	10	50	163 543 421	1	0.281	163 543 431	1	0.281
1/2	15	10	75	163 543 422	1	0.287	163 543 432	1	0.287
3/4	20	10	150	163 543 423	1	0.410	163 543 433	1	
				163 543 424	1		163 543 434	1	
1/4	32			163 543 425	1		163 543 435	1	
1/2	40			163 543 426	1		163 543 436	1	
				163 543 427	1		163 543 437	1	

Size [inch]	Øm [mm]	Hm [mm]	H1n [mm]	H2n [mm]	Lmm [mm]	L1n [mm]	L2n [mm]	L3n [mm]	L4n [mm]	L5n [mm]	L6n [mm]	M [mm]	Z1n [mm]
3/8	50												
1/2	50												
3/4	58												
1/4	84												
1/2	97												



PF 2 32 002 803

3-Way ball valve type 543 PVC-C Horizontal/L-port With solvent cement sockets ASTM

Model:

- For easy installation and removal (valve end and union nut are compatible with type 546)
- Ball seals PTFE
- Pneumatic or electric actuator available separately
- Angle of operation 360° without turn limiter
- Turn limiter 90° enclosed, in different positions usable as a clip-on ring
- Integrated stainless steel mounting inserts
- Delivery status A-C opened, see flow scheme

Size [inch]	DN [mm]	PN [bar]	kv-value (Δp=1 bar) [l/min]	EPDM Code	SP	Weight [kg]	FPM Code	SP	Weight [kg]
3/8	10	10	50	163 543 081	1	0.265	163 543 091	1	0.265
1/2	15	10	75	163 543 082	1	0.272	163 543 092	1	0.272
3/4	20	10	150	163 543 083	1	0.391	163 543 093	1	
				163 543 084	1		163 543 094	1	
				163 543 085	1		163 543 095	1	
1/4	32			163 543 086	1		163 543 096	1	
1/2	40			163 543 087	1		163 543 097	1	

Size [inch]	D _m [mm]	H _m [mm]	H _{1n} [mm]	H _{2n} [mm]	L _m [mm]	L _{1n} [mm]	L _{2n} [mm]	L _{3n} [mm]	L _{4n} [mm]	L _{5n} [mm]	L _{6n} [mm]	M [mm]	Z _{1n} [mm]
3/8	50												
1/2	50												
3/4	58												
1/4	84												
1/2	97												

PF 2 32 002 803

Diaphragm valves new generation

Diaphragm valve type 514 PVC-C With solvent cement sockets metric

Model:

- Double flow rate compared to predecessor
- One housing nut replaces four screws
- Handwheel with built-in locking mechanism
- For easy installation and removal
- Short overall length

Option:

- Individual configuration of the valve (see diagram)
- Self adjusting multifunctional module with integrated limit switches

d [mm]	DN [mm]	PN [bar]	kv-value ($\Delta p=1$ bar) [l/min]	EPDM Code	SP	Weight [kg]	PTFE/EPDM Code	SP	Weight [kg]
20	15	10	125	163 514 012	1	0.409	163 514 032	1	0.312
25	20	10	271	163 514 013	1	0.448	163 514 033	1	0.558
32	25	10	481	163 514 014	1	0.707	163 514 034	1	
				163 514 015	1		163 514 035	1	
				163 514 016	1		163 514 036	1	
				163 514 017	1		163 514 037	1	

d [mm]	D _N [mm]	D ₂ [mm]	D ₃ [mm]	H _m [mm]	H ₁ [mm]	H ₂ [mm]	L _m [mm]	L ₂ [mm]	M	[mm]	Lift = H _x [mm]	closest inch [inch]
20												1/2
25												3/4
32												1/4
50												1/2
63												

PF 2 31 158 064

Diaphragm valve type 515 PVC-C With solvent cement spigots metric

Model:

- Double flow rate compared to predecessor
- One housing nut replaces four screws
- Handwheel with built-in locking mechanism
- Overall length EN 558

Option:

- Individual configuration of the valve (see diagram)
- Self adjusting multifunctional module with integrated limit switches

d [mm]	DN ₁ [mm]	DN ₂ [mm]	kv-value ($\Delta p=1$ bar) [l/min]	EPDM Code	[kg]	PTFE/EPDM Code	[kg]
20				163 515 012	1	163 515 032	1
				163 515 013	1	163 515 033	1
				163 515 014	1	163 515 034	1
				163 515 015	1	163 515 035	1
				163 515 016	1	163 515 036	1
				163 515 017	1	163 515 037	1

d _m [mm]	D _N [mm]	D ₂ [mm]	H _m [mm]	H ₁ [mm]	H ₂ [mm]	L _m [mm]	L ₂ [mm]	M	[mm]	closest inch [inch]
20										1/2
25										3/4
32										1/4
50										1/2
63										

PF 2 31 158 064

Diaphragm valve type 517 PVC-C With backing flanges PP-V metric/BS

Model:

- Double flow rate compared to predecessor
- One housing nut replaces four screws
- Handwheel with built-in locking mechanism
- Flat sealing faces
- Overall length EN 558
- Connecting dimension: ISO 7005 PN 10, EN 1092 PN 10, DIN 2501 PN 10, BS 4504 PN 10

Option:

- Individual configuration of the valve (see diagram)
- Self adjusting multifunctional module with integrated limit switches

d [mm]	DN [mm]	PN [bar]	kv-value (Δp=1 bar) [l/min]	EPDM Code	SP	Weight [kg]	PTFE/EPDM Code	SP	Weight [kg]
20	15	10	125	163 517 112	1	0.447	163 517 132	1	0.528
25	20	10	271	163 517 113	1	0.695	163 517 133	1	0.695
32	25	10	481	163 517 114	1	1.388	163 517 134	1	
				163 517 115	1		163 517 135	1	
				163 517 116	1		163 517 136	1	
				163 517 117	1		163 517 137	1	

d [mm]	D ₁ [mm]	D ₂ [mm]	D ₃ [mm]	D ₄ [mm]	D ₅ [mm]	H ₁ [mm]	H ₁ [mm]	H ₂ [mm]	L ₁ [mm]	L ₂ [mm]	M	closest inch [inch]
20												1/2
25												3/4
32												1/4
50												1/2
63												

PF 2 31 158 064

Diaphragm valves

Diaphragm valve type 317 PVC-C With flanges PP-V

Model:

- Flat sealing faces
- DN 15-65 with backing flange
- DN 80-150 with fixed flange
- Overall length according to EN 558

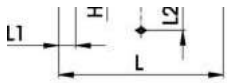
Option:

- Handwheel lockable DN15-65 (basic version not lockable)

* DN80 and DN150 fixed flanges metric and inch ANSI B16.5

	d [mm]	Size [inch]	DN [mm]	PN [bar]	kv-value ($\Delta p=1$ bar) [l/min]	EPDM Code	PTFE/EPDM Code	SP	Weight [kg]
*	75	2 ½	65	10	992	163 317 523	163 317 538	1	4.425
	90	3	80	10	1700	163 317 024	163 317 039	1	9.822
	110	4	100	10	2700	163 317 025	163 317 040	1	13.799

d [mm]	D _m	D _{1n}	D _{2n}	D _{3n}	H _{1m}	H _{1n}	H _{2n}	L _{mm}	L _{1n}	L _{2n}	M	AL [mm]
75												



DN 80-100

PF 2 32 169 020

Butterfly valves

Butterfly valve type 567 PVC-C Bare shaft

Model:

- Overall length according to EN 558, ISO 5752
- Connecting dimension: ISO 7005 PN 10, EN 1092 PN 10, DIN 2501 PN 10, ANSI/ASME B 16.5 Class 150, BS 1560: 1989, BS 4504, JIS B 2220
- Interface F07 according to DIN/ISO 5211

d [mm]	Size [inch]	DN [mm]	PN [bar]	kv-val- ue ($\Delta p=1$ bar) [l/min]	EPDM Code	SP	Weight [kg]	FPM Code	SP	Weight [kg]
63	2	50	10	1470	163 567 802	1	0.831	163 567 822	1	0.835
75	2 ½	65	10	2200	163 567 803	1	0.947	163 567 823	1	0.952
90	3	80			163 567 804	1		163 567 824	1	
					163 567 805	1		163 567 825	1	
					163 567 806	1		163 567 826	1	
					163 567 807	1		163 567 827	1	
					163 567 808	1		163 567 828	1	

d [mm]	PTFE Code
63	163 567 832
75	163 567 833
90	163 567 834
110	163 567 835
140	163 567 836
160	163 567 837
225	163 567 838

d [mm]	d ₂ [mm]	D ₁ [mm]	D1 min. [mm]	D1 max. [mm]	D ₃ [mm]	D ₄ [mm]	H ₁ [mm]	H ₂ [mm]	H ₃ [mm]	H ₄ [mm]	H ₅ [mm]	L ₁ [mm]	Q ₁ [mm]
63													

d ₁ [mm]	Q ₂ [mm]
63	

PF 2 32 693 998

Butterfly valve type 567 PVC-C Hand lever with ratchet settings

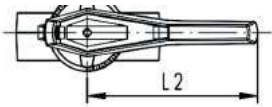
Model:

- Overall length according to EN 558, ISO 5752
- Connecting dimension: ISO 7005 PN 10, EN 1092 PN 10, DIN 2501 PN 10, ANSI/ASME B 16.5 Class 150, BS 1560: 1989, BS 4504, JIS B 2220

d [mm]	Size [inch]	DN [mm]	PN [bar]	kv-val- ue ($\Delta p=1$ bar) [l/min]	EPDM Code	SP	Weight [kg]	FPM Code	SP	Weight [kg]
63	2	50	10	1470	163 567 002	1	1.257	163 567 022	1	1.268
75	2 ½	65	10	2200	163 567 003	1	1.366	163 567 023	1	1.174
90	3	80			163 567 004	1		163 567 024	1	
					163 567 005	1		163 567 025	1	
					163 567 006	1		163 567 026	1	
					163 567 007	1		163 567 027	1	
					163 567 008	1		163 567 028	1	

d [mm]	PTFE Code
63	163 567 202
75	163 567 203
90	163 567 204
110	163 567 205
140	163 567 206
160	163 567 207
225	163 567 208

d [mm]	ϕD_2	ϕD_m	D1 min. [mm]	D1 max. [mm]	H [mm]	H1 [mm]	H2 [mm]	H3 [mm]	L [mm]	L1 [mm]	L2 [mm]	Q1 [mm]	Q2 [mm]
63													



PF 2 32 693 001

Butterfly valve type 567 PVC-C Reduction gear with handwheel

Model:

- Overall length according to EN 558, ISO 5752
- Connecting dimension: ISO 7005 PN 10, EN 1092 PN 10, DIN 2501 PN 10, ANSI/ASME B 16.5 Class 150, BS 1560: 1989, BS 4504, JIS B 2220

d [mm]	Size [inch]	DN [mm]	PN [bar]	kv-value ($\Delta p=1$ bar) [l/min]	EPDM Code	SP	Weight [kg]	FPM Code	SP	Weight [kg]
63	2	50	10	1470	163 567 042	1	3.078	163 567 062	1	3.078
75	2 ½	65	10	2200	163 567 043	1	3.201	163 567 063	1	3.212
90	3	80			163 567 044	1		163 567 064	1	
					163 567 045	1		163 567 065	1	
					163 567 046	1		163 567 066	1	
					163 567 047	1		163 567 067	1	
					163 567 048	1		163 567 068	1	

d [mm]	PTFE Code
63	163 567 242
75	163 567 243
90	163 567 244
110	163 567 245
140	163 567 246
160	163 567 247
225	163 567 248

d [mm]	ϕ_{21}	ϕ_{22}	D1 min. [mm]	D1 max. [mm]	ϕ_{31}	H ₁ [mm]	H ₁₁	H ₂	H ₃	L ₁ [mm]	L ₁₁	L ₂	L ₃	ϕ_{11}
63														

d ₁ [mm]	ϕ_{21}
63	

PF 2 32 693 001

Lugstyle butterfly valve type 568 PVC-C Bare shaft

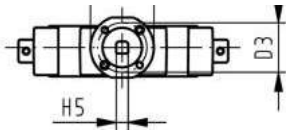
Model:

- Outer body in GGG-40.3 epoxy-coated
- Overall length according to EN 558, ISO 5752
- Connecting dimension: ISO 7005 PN10, EN 1092 PN10, DIN 2501 PN10
- Interface F07 according to DIN/ISO 5211

d [mm]	Size [inch]	DN [mm]	PN [bar]	kv-val- ue ($\Delta p=1$ bar) [l/min]	EPDM Code	SP	Weight [kg]	FPM Code	SP	Weight [kg]
63	2	50	10	1470	163 568 802	1	2.921	163 568 822	1	2.921
75	2 ½	65	10	2200	163 568 803	1	3.288	163 568 823	1	3.288
90	3	80			163 568 804	1		163 568 824	1	
					163 568 805	1		163 568 825	1	
					163 568 806	1		163 568 826	1	
					163 568 807	1		163 568 827	1	
					163 568 808	1		163 568 828	1	

d [mm]	PTFE Code
63	163 568 832
75	163 568 833
90	163 568 834
110	163 568 835
140	163 568 836
160	163 568 837
225	163 568 838

d [mm]	$\phi 2_1$	D	[mm]	$\phi 3_1$	$\phi 4_1$	H ₁ [mm]	H ₁₁	H ₂	H ₃	H ₄	L ₁ [mm]	Q ₁	Q ₂
63													



PF 2 32 694 998

Lugstyle butterfly valve type 568 PVC-C Hand lever with ratchet settings

Model:

- Outer body in GGG-40.3 epoxy-coated
- Overall length according to EN 558, ISO 5752
- Connecting dimension: ISO 7005 PN10, EN 1092 PN10, DIN 2501 PN10

d [mm]	Size [inch]	DN [mm]	PN [bar]	kv-val- ue ($\Delta p=1$ bar) [l/min]	EPDM Code	SP	Weight [kg]	FPM Code	SP	Weight [kg]
63	2	50	10	1470	163 568 002	1	3.143	163 568 022	1	3.143
75	2 ½	65	10	2200	163 568 003	1	3.510	163 568 023	1	3.510
90	3	80			163 568 004	1		163 568 024	1	
					163 568 005	1		163 568 025	1	
					163 568 006	1		163 568 026	1	
					163 568 007	1		163 568 027	1	
					163 568 008	1		163 568 028	1	

d [mm]	PTFE Code
63	163 568 202
75	163 568 203
90	163 568 204
110	163 568 205
140	163 568 206
160	163 568 207
225	163 568 208

d [mm]	d ₂ [mm]	D	[mm]	H ₁ [mm]	H ₁ [mm]	H ₂ [mm]	H ₃ [mm]	L ₁ [mm]	L ₁ [mm]	L ₂ [mm]	L ₃ [mm]	Q ₁ [mm]	Q ₂ [mm]
63													

PF 2 32 694 001

Lugstyle butterfly valve type 568 PVC-C Reduction gear with handwheel

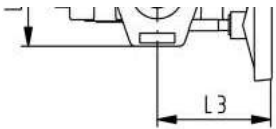
Model:

- Outer body in GGG-40.3 epoxy-coated
- Overall length according to EN 558, ISO 5752
- Connecting dimension: ISO 7005 PN10, EN 1092 PN10, DIN 2501 PN10

d [mm]	Size [inch]	DN [mm]	PN [bar]	kv-value (Δp=1 bar) [l/min]	EPDM Code	SP	Weight [kg]	FPM Code	SP	Weight [kg]
63	2	50	10	1470	163 568 042	0	5.181	163 568 062	0	5.181
75	2 ½	65	10	2200	163 568 043	0	5.548	163 568 063	0	5.548
90	3	80			163 568 044	0		163 568 064	0	
					163 568 045	0		163 568 065	0	
					163 568 046	0		163 568 066	0	
					163 568 047	1		163 568 067	1	
					163 568 048	1		163 568 068	1	

d [mm]	PTFE Code
63	163 568 242
75	163 568 243
90	163 568 244
110	163 568 245
140	163 568 246
160	163 568 247
225	163 568 248

d [mm]	Ø2]	D	[mm]	Ø3]	H1m]	H1h]	H2]	H3]	Lmm]	L1h]	L2]	L3]	L4]	Ø1h]	Ø2]
63															



PF 2 32 694 001

Cone check valves

Check valve type 561 PVC-C With solvent cement sockets metric

Model:

- Sealing at a minimum water column of 2 m
- Designed for easy installation and removal
- Vibration free even at high flow velocity
- Flow-optimized return cone, double guided
- For vertical installation
- Compact installation length, same as ball valve type 546
- Z-length, end connectors and union nuts **not** compatible with type 360
- New DN56-DN100

d [mm]	DN [mm]	PN [bar]	kv-value (Δp=1 bar) [l/min]	EPDM Code	SP	Weight [kg]	FPM Code	SP	Weight [kg]
16	10	16	190	163 561 001	1	0.120	163 561 011	1	0.120
20	15	16	180	163 561 002	1	0.120	163 561 012	1	0.120
25	20	16	380	163 561 003	1	0.260	163 561 013	1	
50				163 561 004	1		163 561 014	1	
				163 561 005	1		163 561 015	1	
				163 561 006	1		163 561 016	1	
				163 561 007	1		163 561 017	1	
				163 561 008	1		163 561 018	1	
				163 561 009	1		163 561 019	1	
				163 561 010	1		163 561 020	1	

d [mm]	DN [mm]	PN [bar]	kv-value [l/min]	Z-length [mm]	closest inch [inch]
16					3/8
20					1/2
25					3/4
32					
50					1/4
63					1/2
90					1/2

PF 2 31 161 012

Check valve type 561 PVC-C With threaded sockets Rp

Model:

- Sealing at a minimum water column of 2 m
- Designed for easy installation and removal
- Vibration free even at high flow velocity
- Flow-optimized return cone, double guided
- For vertical installation
- Compact installation length, same as ball valve type 546
- Z-length, end connectors and union nuts **not** compatible with type 360
- New DN56-DN100

Rp [inch]	DN [mm]	PN [bar]	kv-value ($\Delta p=1$ bar) [l/min]	EPDM Code	SP	Weight [kg]	FPM Code	SP	Weight [kg]
3/8	10	10	190	163 561 021	1	0.120	163 561 031	1	0.120
1/2	15	10	180	163 561 022	1	0.120	163 561 032	1	0.120
3/4	20	10	380	163 561 023	1	0.260	163 561 033	1	
				163 561 024	1		163 561 034	1	
1/4	32			163 561 025	1		163 561 035	1	
1 1/2	40			163 561 026	1		163 561 036	1	
				163 561 027	1		163 561 037	1	
1/2	65			163 561 028	1		163 561 038	1	
				163 561 029	1		163 561 039	1	
				163 561 030	1		163 561 040	1	

Rp [inch]	D ₁ [mm]	L ₁ [mm]	L ₂ [mm]	Z ₁ [mm]
3/8	50			
1/2	50			
3/4	58			
1/4	84			
1 1/2	97			
1/2	166			

PF 2 31 161 012

Check valve type 562 PVC-C With solvent cement sockets metric

Model:

- For horizontal or vertical installation
- Sealing at a minimum water column of 1 m
- Spring loaded, spring made of stainless steel (1.4310)
- Spring available in other materials, see spare parts
- Designed for easy installation and removal
- Vibration free even at high flow velocity
- Flow-optimized return cone, double guided
- Compact installation length, same as ball valve type 546
- Z-length, end connectors and union nuts **not** compatible with type 360
- New DN56-DN100

d [mm]	DN [mm]	PN [bar]	kv-value (Δp=1 bar) [l/min]	EPDM Code	SP	Weight [kg]	FPM Code	SP	Weight [kg]
16	10	16	190	163 562 001	1	0.120	163 562 011	1	0.120
20	15	16	180	163 562 002	1	0.120	163 562 012	1	0.120
25	20	16	380	163 562 003	1	0.260	163 562 013	1	
				163 562 004	1		163 562 014	1	
				163 562 005	1		163 562 015	1	
50				163 562 006	1		163 562 016	1	
				163 562 007	1		163 562 017	1	
				163 562 008	1		163 562 018	1	
				163 562 009	1		163 562 019	1	
				163 562 010	1		163 562 020	1	

d [mm]	D ₁ [mm]	L ₁ [mm]	L ₂ [mm]	Z ₁ [mm]	closest inch [inch]
16					3/8
20					1/2
25					3/4
32					
					1/4
50					1/2
63					
					1/2
90					

PF 2 31 161 012

Check valve type 562 PVC-C With threaded sockets Rp

Model:

- For horizontal or vertical installation
- Sealing at a minimum water column of 1 m
- Spring loaded, spring made of stainless steel (1.4310)
- Spring available in other materials, see spare parts
- Designed for easy installation and removal
- Vibration free even at high flow velocity
- Flow-optimized return cone, double guided
- Compact installation length, same as ball valve type 546
- Z-length, end connectors and union nuts **not** compatible with type 360
- New DN56-DN100

Rp [inch]	DN [mm]	PN [bar]	kv-value ($\Delta p=1$ bar) [l/min]	EPDM Code	SP	Weight [kg]	FPM Code	SP	Weight [kg]
3/8	10	10	190	163 562 021	1	0.120	163 562 031	1	0.120
1/2	15	10	180	163 562 022	1	0.120	163 562 032	1	0.120
3/4	20	10	380	163 562 023	1	0.260	163 562 033	1	
				163 562 024	1		163 562 034	1	
1/4	32			163 562 025	1		163 562 035	1	
1 1/2	40			163 562 026	1		163 562 036	1	
				163 562 027	1		163 562 037	1	
1/2	65			163 562 028	1		163 562 038	1	
				163 562 029	1		163 562 039	1	
				163 562 030	1		163 562 040	1	

Rp [inch]	D _m [mm]	L ₁ [mm]	L ₂ [mm]	Z ₁ [mm]
3/8	50			
1/2	50			
3/4	58			
1/4	84			
1 1/2	97			
1/2	166			

PF 2 31 161 012

Process control valves

Ventilating and bleed valve Type 591 PVC-C With solvent cement sockets metric

Model:

- With protection cap up to DN50 made of PP-GF, DN65-100 made of POM
- Floater made of PP-H
- Designed for easy installation and removal
- Compact installation length

d [mm]	DN [mm]	PN [bar]	EPDM Code	FPM Code	D [mm]	L [mm]	t [mm]	closest inch [inch]
16	10	16	163 591 001	163 591 011	50	118	14	3/8
20	15	16	163 591 002	163 591 012	50	124	16	1/2
25	20	16	163 591 003	163 591 013	58	142	19	3/4
32	25		163 591 004		68			
			163 591 005		84			1/4
50			163 591 006		97			1/2
63			163 591 007		124			
			163 591 008		166			1/2
90			163 591 009		200			
			163 591 010		238			

PF 2 31 161 012

Ventilating valve type 595 PVC-C With solvent cement sockets metric

Model:

- With protection cap up to DN50 made of PP-GF, DN65-100 made of POM
- Spring loaded, spring made of NIMONIC 90, HALAR coated
- Spring available in other materials, see spare parts
- Designed for easy installation and removal
- Compact installation length

d [mm]	DN [mm]	PN [bar]	EPDM Code		[mm]	[mm]	closest inch [inch]
16			163 595 001		50		3/8
20			163 595 002		50		1/2
25			163 595 003		58		3/4
32			163 595 004		68		
			163 595 005		84		1/4
50			163 595 006		97		1/2
63			163 595 007		124		
			163 595 008		166		1/2
90			163 595 009		200		
			163 595 010		238		

PF 2 31 161 012

Pressure regulating valves

Pressure reducing valve type 582 PVC-C With solvent cement spigots metric Without manometer

Model:

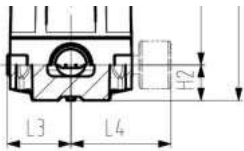
- Diaphragm PTFE/EPDM
- Integrated stainless steel mounting inserts
- 0.5-9.0 bar (7-130 psi)

0.3-3.0 bar (4-44 psi) on request

Manometer on request

d [mm]	DN [mm]	PN [bar]	O-rings EPDM Code	O-rings FPM Code
16	10	10	163 582 001	163 582 011
20	15	10	163 582 002	163 582 012
25	20	10	163 582 003	163 582 013
32	25	10	163 582 004	163 582 014
40	32	10	163 582 005	163 582 015
50	40	10	163 582 006	163 582 016
63	50	10	163 582 007	163 582 017

d [mm]	D _m [mm]	H _m [mm]	H _{1n} [mm]	H _{2n} [mm]	H _{3n} [mm]	L _{1n} [mm]	L _{3n} [mm]	L _{5n} [mm]	M	[inch]
16										3/8
20										1/2
25										3/4
32										
50										1/4
63										1/2



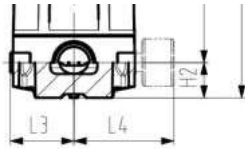
Pressure reducing valve type 582 PVC-C With solvent cement spigots metric With manometer

Model:

- Diaphragm PTFE/EPDM
- Integrated stainless steel mounting inserts
- 0.5-9.0 bar (7-130 psi)
- Attention: Manometer with brass connection in direct contact with medium. Check for chemical resistance, otherwise chose the optional manometer adapter for media separation.

0.3-3.0 bar (4-44 psi) on request

d [mm]	DN [mm]	PN [bar]	O-rings EPDM Code	O-rings FPM Code
16	10	10	163 582 021	163 582 031
20	15	10	163 582 022	163 582 032
25	20	10	163 582 023	163 582 033
32	25	10	163 582 024	163 582 034
40	32	10	163 582 025	163 582 035
50	40	10	163 582 026	163 582 036
63	50	10	163 582 027	163 582 037



d [mm]	D ₁ [mm]	H ₁ [mm]	H ₁₁ [mm]	H ₁₂ [mm]	H ₂ [mm]	L ₁ [mm]	L ₂ [mm]	L ₃ [mm]	L ₄ [mm]	L ₅ [mm]	M	[inch]
16												3/8
20												1/2
25												3/4
32												
50												1/4
63												1/2

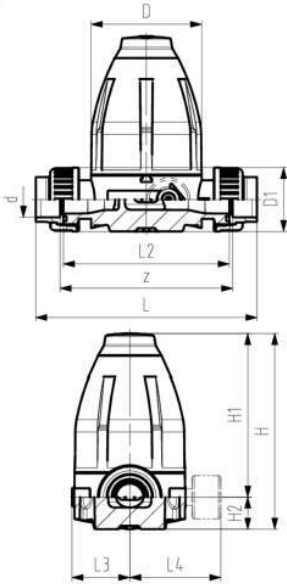
Pressure reducing valve type 582 PVC-C Unions with solvent cement sockets metric Without manometer

Model:

- Diaphragm PTFE/EPDM
- Integrated stainless steel mounting inserts
- 0.5-9.0 bar (7-130 psi)

0.3-3.0 bar (4-44 psi) on request

Manometer on request



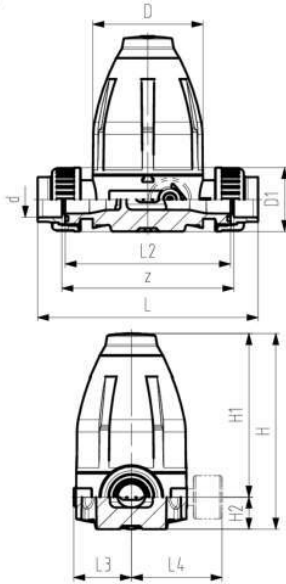
d [mm]	DN [mm]	PN [bar]	O-rings EPDM Code	O-rings FPM Code
20	15	10	163 582 102	163 582 112
25	20	10	163 582 103	163 582 113
32	25	10	163 582 104	163 582 114
40	32	10	163 582 105	163 582 115
50	40	10	163 582 106	163 582 116
63	50	10	163 582 107	163 582 117

d [mm]	D _m	D _{1n}	H _m	H _{1n}	H _{2n}	H _{3n}	L _{mm}	L _{2n}	L _{3n}	L _{5n}	M	[mm]	closest inch
20													1/2
25													3/4
32													1/4
50													1/2
63													

Pressure reducing valve type 582 PVC-C Unions with solvent cement sockets metric With manometer

Model:

- Diaphragm PTFE/EPDM
- Integrated stainless steel mounting inserts
- 0.5-9.0 bar (7-130 psi)
- Attention: Manometer with brass connection in direct contact with medium. Check for chemical resistance, otherwise chose the optional manometer adapter for media separation.



0.3-3.0 bar (4-44 psi) on request

d [mm]	DN [mm]	PN [bar]	O-rings EPDM Code	O-rings FPM Code
20	15	10	163 582 122	163 582 132
25	20	10	163 582 123	163 582 133
32	25	10	163 582 124	163 582 134
40	32	10	163 582 125	163 582 135
50	40	10	163 582 126	163 582 136
63	50	10	163 582 127	163 582 137

d [mm]	D [mm]	D1n	H1n	H1n	H2n	H3n	Lnmm	L2n	L3n	L4n	L5n	M	[mm]
20													

d[mm]	closest inch
20	3/4
25	1
32	1 1/4
50	2
63	2 1/2

Pressure retaining valve type 586 PVC-C With solvent cement spigots metric Without manometer

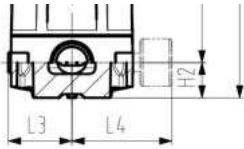
Model:

- Diaphragm PTFE/EPDM
- Integrated stainless steel mounting inserts
- 0.5-9.0 bar (7-130 psi)

0.3-3.0 bar (4-44 psi) on request

Manometer on request

d [mm]	DN [mm]	PN [bar]	O-rings EPDM Code	O-rings FPM Code
16	10	10	163 586 001	163 586 011
20	15	10	163 586 002	163 586 012
25	20	10	163 586 003	163 586 013
32	25	10	163 586 004	163 586 014
40	32	10	163 586 005	163 586 015
50	40	10	163 586 006	163 586 016
63	50	10	163 586 007	163 586 017



d [mm]	DN [mm]	H [mm]	H1 [mm]	H2 [mm]	H3 [mm]	L [mm]	L3 [mm]	L5 [mm]	M	[inch]
16										3/8
20										1/2
25										3/4
32										
50										1/4
63										1/2

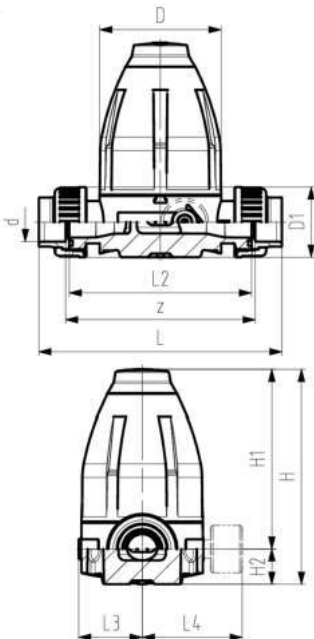
Pressure retaining valve type 586 PVC-C Unions with solvent cement sockets metric Without manometer

Model:

- Diaphragm PTFE/EPDM
- Integrated stainless steel mounting inserts
- 0.5-9.0 bar (7-130 psi)

0.3-3.0 bar (4-44 psi) on request

Manometer on request



d [mm]	DN1 [mm]	DN2 [mm]	O-rings EPDM Code
20			163 586 102
25			163 586 103
32			163 586 104
40			163 586 105
50			163 586 106
63			163 586 107

d [mm]	DN1 [mm]	DN2 [mm]	H [mm]	H1 [mm]	H2 [mm]	H3 [mm]	L [mm]	L2 [mm]	L3 [mm]	L5 [mm]	M	[mm]	closest inch
20													1/2
25													3/4
32													
50													1/4
63													1/2

Strainers

Line strainer type 305 PVC-C With solvent cement spigots metric

Model:

- Protects valves, pumps, etc. from becoming soiled
- Easy dismantling for cleaning the screens
- Overall length EN 558
- Cylindrical screen must be ordered separately

d [mm]	DN [mm]	PN [bar]	EPDM Code	SP	Weight [kg]	FPM Code	SP	Weight [kg]
20	15	10	163 305 302	1	0.110	163 305 317	1	0.120
25	20	10	163 305 303	1	0.160	163 305 318	1	0.160
32	25	10	163 305 304	1	0.250	163 305 319	1	0.250
40	32		163 305 305	1		163 305 320	1	
			163 305 306	1		163 305 321	1	
			163 305 307	1		163 305 322	1	

d [mm]	D ₁ [mm]	H ₁ [mm]	L ₁ [mm]	L ₁ [mm]	L ₂ [mm]	closest inch [inch]
20						1/2
25						3/4
32						
50						1/4
63						1/2

PF 2 32 200 004

Screen stainless steel Screen perforation 0.5 mm

Model:

- Stainless Steel A4 Quality (AISI 316)
- For line strainers Type 305

d [mm]	DN [mm]	kv-value ($\Delta p=1$ bar) [l/min]	Code	[mm]	L ₁ [mm]	closest inch [inch]
20			161 486 100	14		1/2
25			161 486 101	18		3/4
32			161 486 102	24		
			161 486 103	30		1/4
50			161 486 104	38		1/2
63			161 486 105	48		
			161 486 106	61		1/2
90			161 486 107	73		

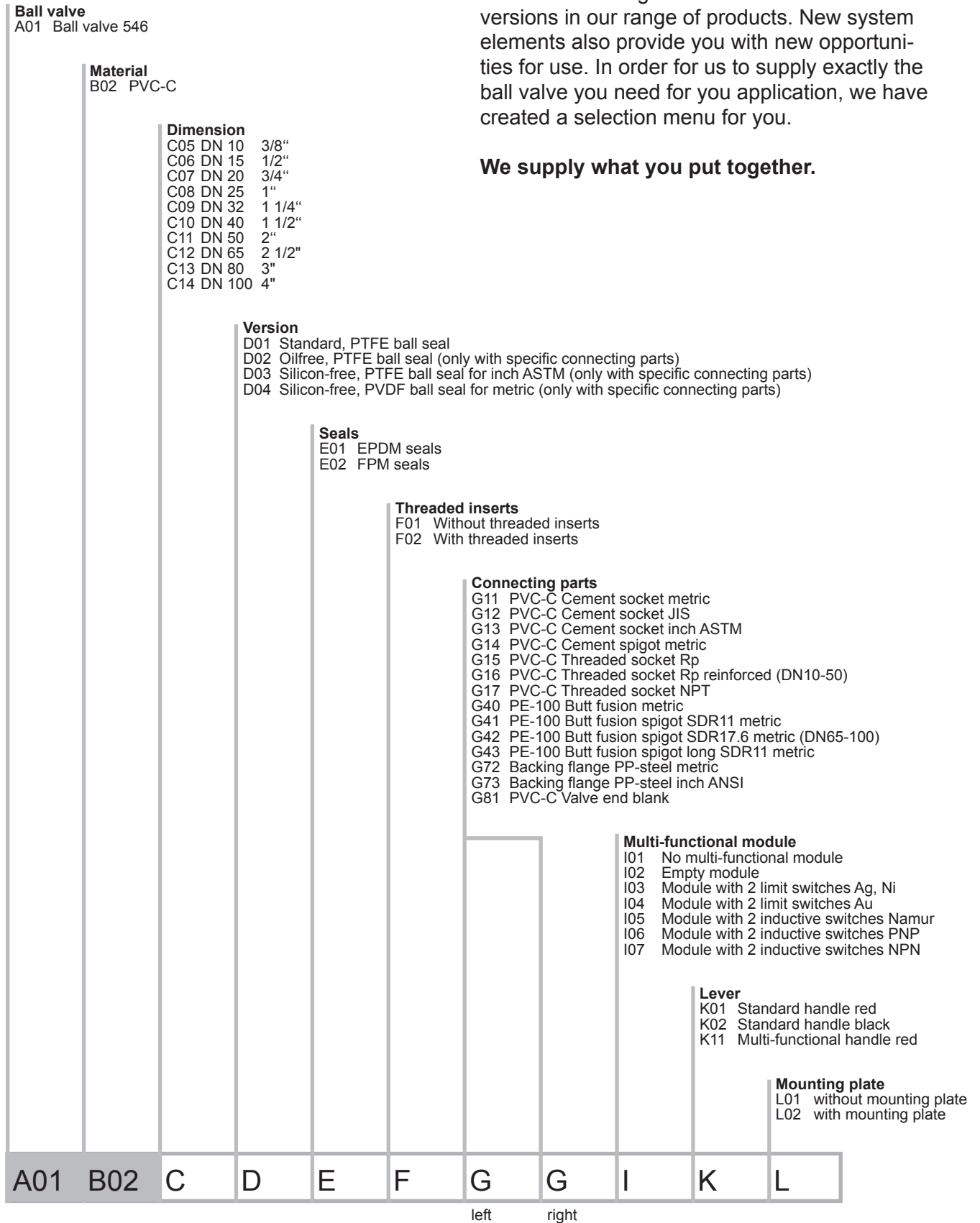
PF 2 32 200 999

Copiable

Configurator GF ball valve type 546 PVC-C

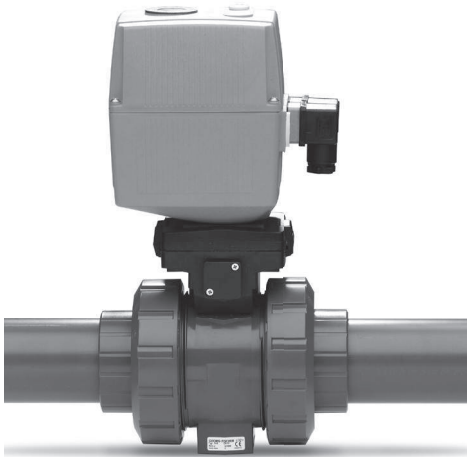
You will find a large selection of different versions in our range of products. New system elements also provide you with new opportunities for use. In order for us to supply exactly the ball valve you need for your application, we have created a selection menu for you.

We supply what you put together.



Copiable

GF ball valve type 546 with electric actuator



It's so easy to actuate the type 546:

With the configurator, you have a choice of new electric actuators, the EA11 for standard applications and the EA21 with modular design and accessories, for practically and type of operation.

We supply what you put together.

Electric Actuator EA11

- T01 EA11 24 V
- T02 EA11 100–230 V

Accessories EA11

- U01 No accessories
- U02 2 limit switches Ag, Ni
- U03 Heating element
- U04 Fail-safe return
- U05 2 limit switches Ag, Ni normally open

Electric Actuator EA21/31

- T03 EA21/31 24 V
- T04 EA21/31 100–230 V

Accessories EA21

- W01 No accessories
- W02 Heating element
- W03 Cycle time module
- W04 Cycle time monitoring
- W05 Cycles monitoring
- W06 Motor current monitoring
- W07 2 limit switches Ag, Ni
- W08 2 limit switches Gold
- W09 2 limit switches NPN
- W10 2 limit switches PNP
- W11 Positioner
- W12 Electric position indicator
- W14 Fail-safe return unit
- W15 Switch intermediate position
- W27 2 limit switches Ag, Ni normally open with connector
- W31 Positioner PE25 with galv. separation

T	U	T	W	W	W	W	W	W

Ball valves electric

107

Ball valve type 107 PVC-C 100-230V
With manual emergency override
With solvent cement sockets metric

Model:

- Built on with electric actuator EA11
- Voltage 100-230 V, 50-60 Hz
- Control range 90°<
- Control time 5 s/90°<
- For easy installation and removal
- Integrated stainless steel mounting inserts

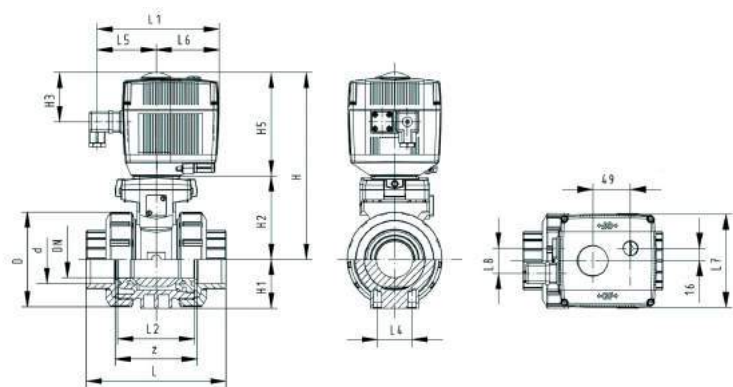
Option:

- Individual configuration of the valve (see diagram)

d [mm]	DN [mm]	PN [bar]	kv-val- ue ($\Delta p=1$ bar) [l/min]	EPDM Code	SP	Weight [kg]	FPM Code	SP	Weight [kg]
16	10	10	70	199 107 102	1	1.770	199 107 112	1	1.770
20	15	10	185	199 107 103	1	1.780	199 107 113	1	1.780
25	20	10	350	199 107 104	1	1.860	199 107 114	1	
				199 107 105	1		199 107 115	1	
				199 107 106	1		199 107 116	1	
				199 107 107	1		199 107 117	1	
				199 107 108	1		199 107 118	1	

d [mm]	D _{1n}	H _{1n}	H _{11n}	H _{2n}	H _{3n}	H _{5n}	L _{1n}	L _{2n}	L _{4n}	L _{5n}	L _{6n}	L _{7n}	L _{8n}	z _{1n}
16														

d _n [mm]	closest inch [inch]
16	3/8
20	1/2
25	3/4
32	1
50	1 1/4
63	1 1/2



Ball valve type 107 PVC-C 100-230V With manual emergency override With solvent cement spigots metric

Model:

- Built on with electric actuator EA11
- Voltage 100-230 V, 50-60 Hz
- Control range 90°<
- Control time 5 s/90°<
- For easy installation and removal
- Integrated stainless steel mounting inserts

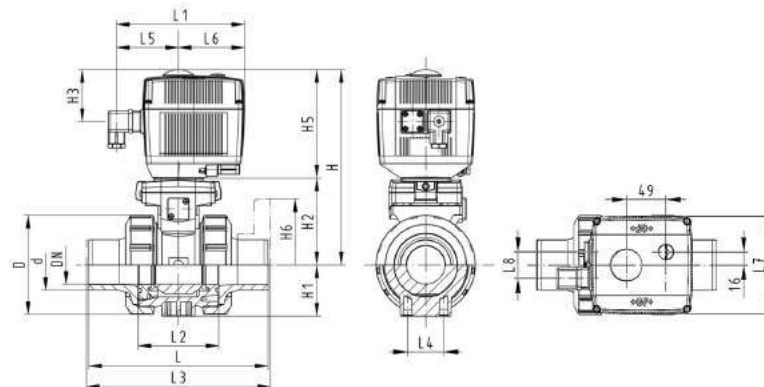
Option:

- Individual configuration of the valve (see diagram)

d [mm]	DN [mm]	PN [bar]	kv-value ($\Delta p=1$ bar) [l/min]	EPDM Code	SP	Weight [kg]	FPM Code	SP	Weight [kg]
16	10	10	70	199 107 122	1	1.770	199 107 132	1	1.770
20	15	10	185	199 107 123	1	1.780	199 107 133	1	1.780
25	20	10	350	199 107 124	1	1.860	199 107 134	1	
				199 107 125	1		199 107 135	1	
				199 107 126	1		199 107 136	1	
				199 107 127	1		199 107 137	1	
				199 107 128	1		199 107 138	1	

d [mm]	D ₁ [mm]	H ₁ [mm]	H ₁₁ [mm]	H ₂₁ [mm]	H ₃₁ [mm]	H ₅₁ [mm]	L ₁₁ [mm]	L ₁₂ [mm]	L ₂₁ [mm]	L ₃₁ [mm]	L ₄₁ [mm]	L ₅₁ [mm]	L ₆₁ [mm]	L ₇₁ [mm]	L ₈₁ [mm]
16															

d _h [mm]	closest inch [inch]
16	3/8
20	1/2
25	3/4
32	
50	1/4
63	1/2



PF 3 39 695 032

Ball valve type 107 PVC-C 100-230V

With manual emergency override

With threaded sockets Rp

Model:

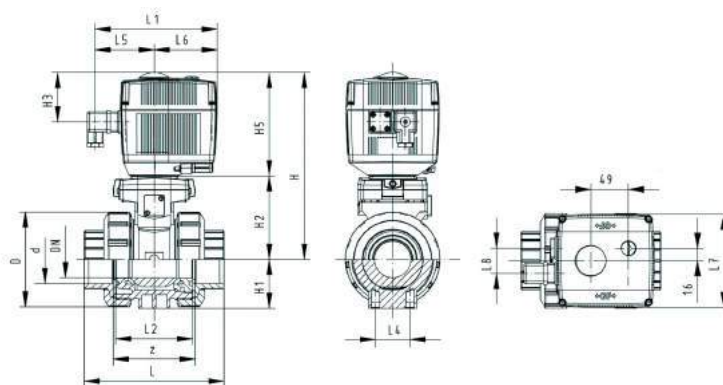
- Built on with electric actuator EA11
- Voltage 100-230 V, 50-60 Hz
- Control range 90°<
- Control time 5 s/90°<
- For easy installation and removal
- Integrated stainless steel mounting inserts

Option:

- Individual configuration of the valve (see diagram)

Rp [inch]	DN [mm]	PN [bar]	kv-value ($\Delta p=1$ bar) [l/min]	EPDM Code	SP	Weight [kg]	FPM Code	SP	Weight [kg]
3/8	10	10	70	199 107 702	1	2.100	199 107 712	1	2.100
1/2	15	10	185	199 107 703	1	2.100	199 107 713	1	2.100
3/4	20	10	350	199 107 704	1	2.200	199 107 714	1	
				199 107 705	1		199 107 715	1	
1/4	32			199 107 706	1		199 107 716	1	
1/2	40			199 107 707	1		199 107 717	1	
				199 107 708	1		199 107 718	1	

Rp [inch]	Dm	Hm	H1n	H2n	H3n	H5n	L1m	L1n	L2n	L4n	L5n	L6n	L7n	L8n	Zm
3/8	50														
1/2	50														
3/4	58														
1/4	84														
1/2	97														



PF 3 39 695 032

Ball valve type 107 PVC-C 24V With manual emergency override With solvent cement sockets metric

Model:

- Built on with electric actuator EA11
- Voltage 24 V AC/DC
- Control range 90°<
- Control time 5 s/90°<
- For easy installation and removal
- Integrated stainless steel mounting inserts

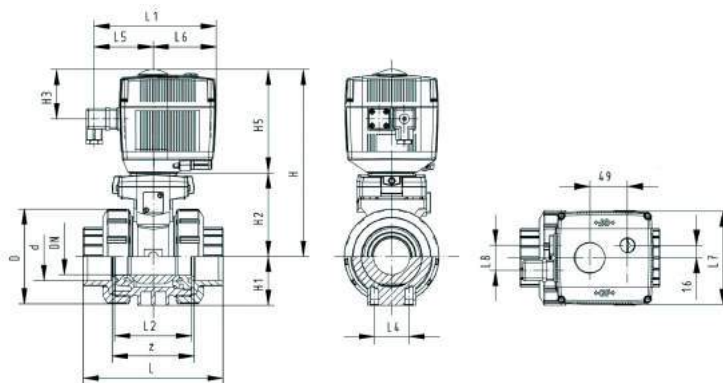
Option:

- Individual configuration of the valve (see diagram)

d [mm]	DN [mm]	PN [bar]	kv-value ($\Delta p=1$ bar) [l/min]	EPDM Code	SP	Weight [kg]	FPM Code	SP	Weight [kg]
16	10	10	70	199 107 142	1	1.770	199 107 152	1	1.770
20	15	10	185	199 107 143	1	1.780	199 107 153	1	1.780
25	20	10	350	199 107 144	1	2.237	199 107 154	1	
				199 107 145	1		199 107 155	1	
				199 107 146	1		199 107 156	1	
				199 107 147	1		199 107 157	1	
				199 107 148	1		199 107 158	1	

d [mm]	D ₁ [mm]	H ₁ [mm]	H _{1n}	H ₂ [mm]	H _{2n}	H ₅ [mm]	L _{1n} [mm]	L _{1m}	L _{2n}	L _{4n}	L _{5n}	L _{6n}	L _{7n}	L _{8n}	Z _{1n} [mm]
16															

d _h [mm]	closest inch [inch]
16	3/8
20	1/2
25	3/4
32	
50	1/4
63	1/2



PF 3 39 695 032

Ball valve type 107 PVC-C 24V With manual emergency override With solvent cement spigots metric

Model:

- Built on with electric actuator EA11
- Voltage 24 V AC/DC
- Control range 90°<
- Control time 5 s/90°<
- For easy installation and removal
- Integrated stainless steel mounting inserts

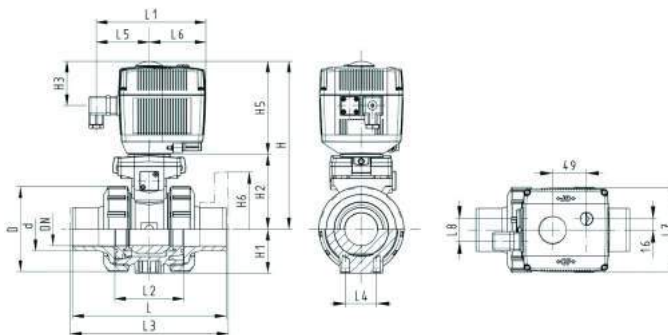
Option:

- Individual configuration of the valve (see diagram)

d [mm]	DN [mm]	PN [bar]	kv-value (Δp=1 bar) [l/min]	EPDM Code	SP	Weight [kg]	FPM Code	SP	Weight [kg]
16	10	10	70	199 107 162	1	1.770	199 107 172	1	1.770
20	15	10	185	199 107 163	1	1.780	199 107 173	1	1.780
25	20	10	350	199 107 164	1	1.860	199 107 174	1	
				199 107 165	1		199 107 175	1	
				199 107 166	1		199 107 176	1	
				199 107 167	1		199 107 177	1	
				199 107 168	1		199 107 178	1	

d [mm]	Øm [mm]	Hm [mm]	H1n	H2n	H3n	H5n	Lnmm	L1n	L2n	L3n	L4n	L5n	L6n	L7n	L8n
16															

Øm [mm]	closest inch [inch]
16	3/8
20	1/2
25	3/4
32	
50	1/4
63	1/2



PF 3 39 695 032

Ball valve type 107 PVC-C 24V With manual emergency override With threaded sockets Rp

Model:

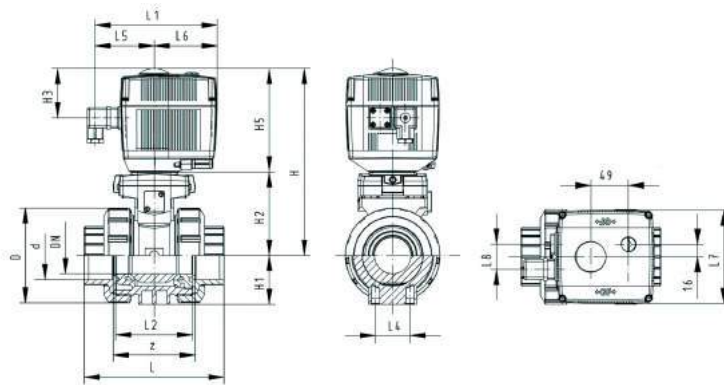
- Built on with electric actuator EA11
- Voltage 24 V AC/DC
- Control range 90°<
- Control time 5 s/90°<
- For easy installation and removal
- Integrated stainless steel mounting inserts

Option:

- Individual configuration of the valve (see diagram)

Rp [inch]	DN [mm]	PN [bar]	kv-val- ue ($\Delta p=1$ bar) [l/min]	EPDM Code	SP	Weight [kg]	FPM Code	SP	Weight [kg]
3/8	10	10	70	199 107 742	1	2.100	199 107 752	1	2.100
1/2	15	10	185	199 107 743	1	2.100	199 107 753	1	2.100
3/4	20	10	350	199 107 744	1	2.200	199 107 754	1	
				199 107 745	1		199 107 755	1	
1/4	32			199 107 746	1		199 107 756	1	
1/2	40			199 107 747	1		199 107 757	1	
				199 107 748	1		199 107 758	1	

Rp [inch]	Dm	Hm	H1n	H2n	H3n	H5n	Lnm	L1n	L2n	L4n	L5n	L6n	L7n	L8n	znm
3/8	50														
1/2	50														
3/4	58														
1/4	84														
1/2	97														



PF 3 39 695 032

130

Ball valve type 130 PVC-C 100-230V With manual emergency override With solvent cement sockets metric

Model:

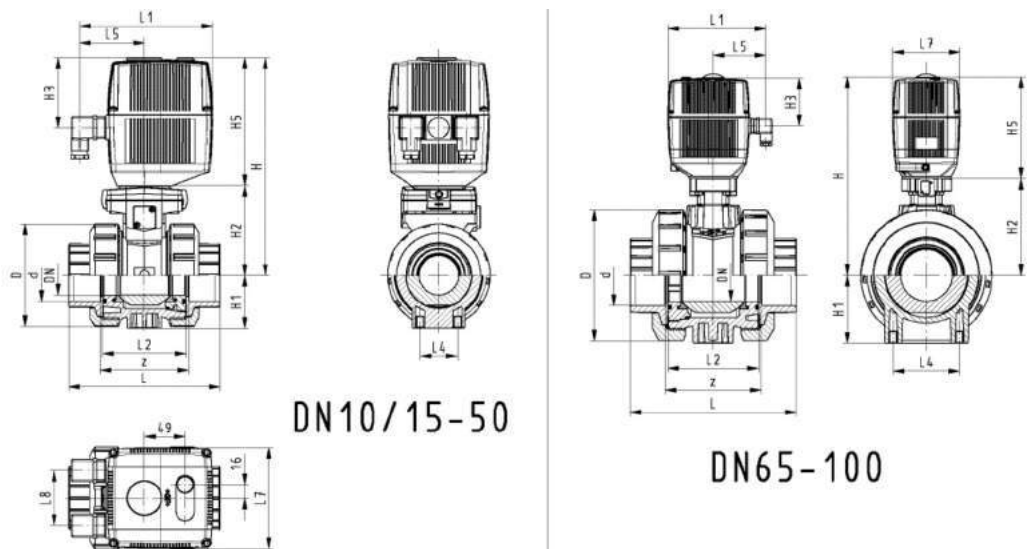
- Voltage 100-230 V, 50-60 Hz
- Control range 90°<
- Control time: EA21: 5s/90°<, EA31: 15s/90°<
- Assignment of actuators: EA21 (DN10/15-50), EA31 (DN65-100)
- For easy installation and removal
- Integrated stainless steel mounting inserts

Option:

- Individual configuration of the valve (see diagram)

d [mm]	DN [mm]	PN [bar]	kv-val- ue ($\Delta p=1$ bar) [l/min]	EPDM Code	SP	Weight [kg]	FPM Code	SP	Weight [kg]
16	10	10	70	199 130 402	1	2.100	199 130 412	1	2.100
20	15	10	185	199 130 403	1	2.100	199 130 413	1	2.100
25	20	10	350	199 130 404	1	2.200	199 130 414	1	2.200
50				199 130 405	1		199 130 415	1	
				199 130 406	1		199 130 416	1	
				199 130 407	1		199 130 417	1	
				199 130 408	1		199 130 418	1	
				199 130 409	1		199 130 419	1	
				199 130 410	1		199 130 420	1	
				199 130 411	1		199 130 421	1	

d [mm]	D _m [mm]	H _m [mm]	H _{1n}	H _{2n}	H _{3n}	H _{5n}	L _m [mm]	L _{1n}	L _{2n}	L _{4n}	L _{5n}	L _{7n}	Z _m [mm]	closest inch [inch]
16														3/8
20														1/2
25														3/4
32														
50														1/4
63														1/2
90														1/2



PF 3 39 695 632

Ball valve type 130 PVC-C 100-230V With manual emergency override With solvent cement spigots metric

Model:

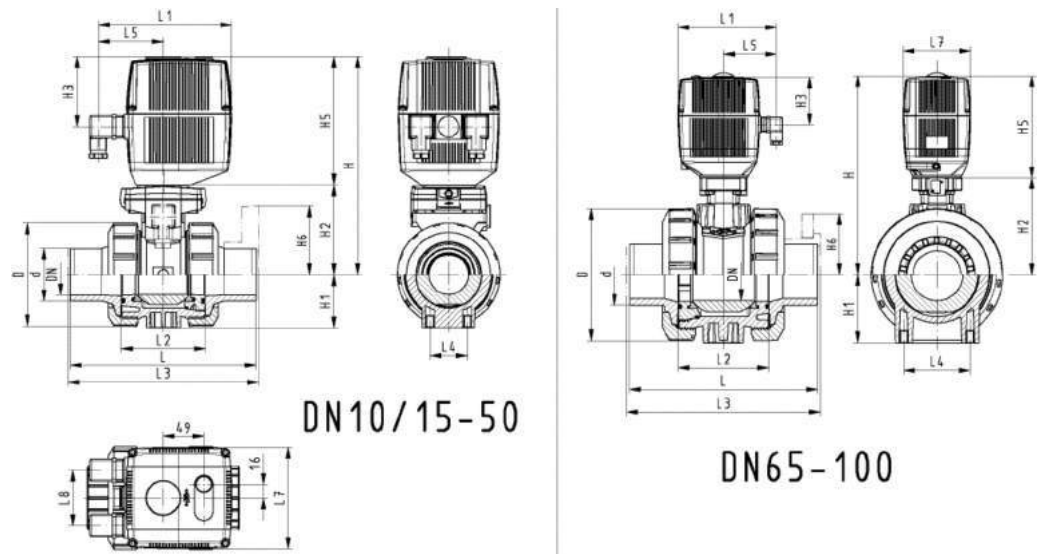
- Voltage 100-230 V, 50-60 Hz
- Control range 90°<
- Control time: EA21: 5s/90°<, EA31: 15s/90°<
- Assignment of actuators: EA21 (DN10/15-50), EA31 (DN65-100)
- For easy installation and removal
- Integrated stainless steel mounting inserts

Option:

- Individual configuration of the valve (see diagram)

d [mm]	DN [mm]	PN [bar]	kv-val- ue ($\Delta p=1$ bar) [l/min]	EPDM Code	SP	Weight [kg]	FPM Code	SP	Weight [kg]
16	10	10	70	199 130 422	1	2.100	199 130 432	1	2.100
20	15	10	185	199 130 423	1	2.100	199 130 433	1	2.100
25	20	10	350	199 130 424	1	2.200	199 130 434	1	2.200
50				199 130 425	1		199 130 435	1	
				199 130 426	1		199 130 436	1	
				199 130 427	1		199 130 437	1	
				199 130 428	1		199 130 438	1	
				199 130 429	1		199 130 439	1	
				199 130 430	1		199 130 440	1	
				199 130 431	1		199 130 441	1	

d [mm]	D _m [mm]	H _{1m} [mm]	H _{1n} [mm]	H ₂ [mm]	H _{2n} [mm]	H ₅ [mm]	L _{an} [mm]	L _{1n} [mm]	L _{2n} [mm]	L _{3n} [mm]	L _{4n} [mm]	L _{5n} [mm]	L _{7n} [mm]	closest inch [inch]
16														3/8
20														1/2
25														3/4
32														
50														1/4
63														1/2
90														1/2



PF 3 39 695 632

Ball valve type 130 PVC-C 100-230V

With manual emergency override

With threaded sockets Rp

Model:

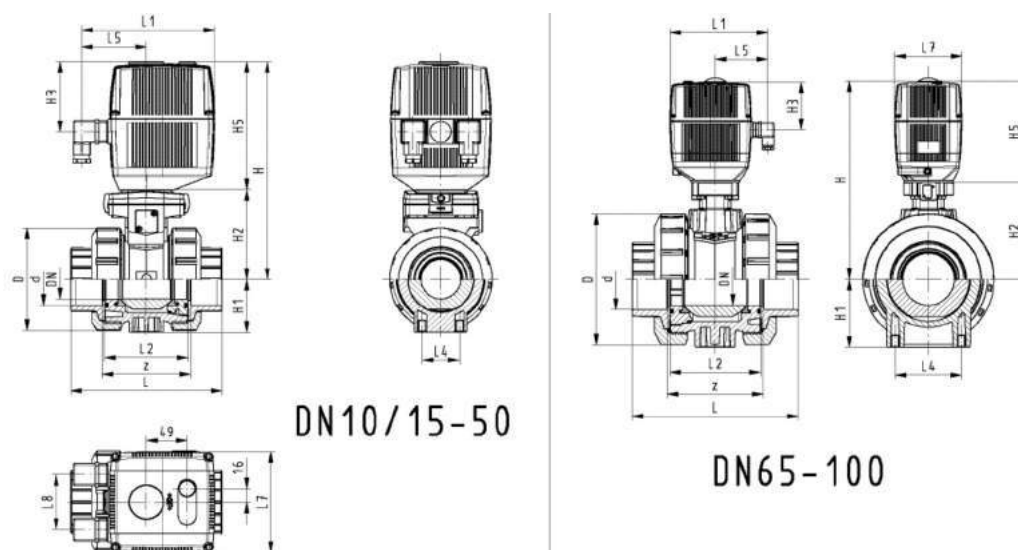
- Voltage 100-230 V, 50-60 Hz
- Control range 90°<
- Control time: EA21: 5s/90°<, EA31: 15s/90°<
- Assignment of actuators: EA21 (DN10/15-50), EA31 (DN65-100)
- For easy installation and removal
- Integrated stainless steel mounting inserts

Option:

- Individual configuration of the valve (see diagram)

Rp [inch]	DN [mm]	PN [bar]	kv-value ($\Delta p=1$ bar) [l/min]	EPDM Code	SP	Weight [kg]	FPM Code	SP	Weight [kg]
3/8	10	10	70	199 130 182	1	2.100	199 130 192	1	2.100
1/2	15	10	185	199 130 183	1	2.100	199 130 193	1	2.100
3/4	20	10	350	199 130 184	1	2.200	199 130 194	1	
				199 130 185	1		199 130 195	1	
1/4	32			199 130 186	1		199 130 196	1	
1 1/2	40			199 130 187	1		199 130 197	1	
				199 130 188	1		199 130 198	1	
1/2	65			199 130 189	1		199 130 199	1	
				199 130 190	1		199 130 200	1	
				199 130 191	1		199 130 201	1	

Rp [inch]	D[m]	H[m]	H1[m]	H2[m]	H3[m]	H5[m]	L[m]	L1[m]	L2[m]	L4[m]	L5[m]	L7[m]	Z[m]
3/8	50												
1/2	50												
3/4	58												
1/4	84												
1 1/2	97												
1/2	166												



PF 3 39 695 632

Ball valve type 130 PVC-C 100-230V With manual emergency override With backing flanges PP-st metric

Model:

- Voltage 100-230 V, 50-60 Hz
- Control range 90°<
- Control time: EA21: 5s/90°<, EA31: 15s/90°<
- Assignment of actuators: EA21 (DN10/15-50), EA31 (DN65-100)
- For easy installation and removal
- Integrated stainless steel mounting inserts
- Overall length according to EN 558
- Connecting dimension: ISO 7005, EN 1092, BS 4504, DIN 2501

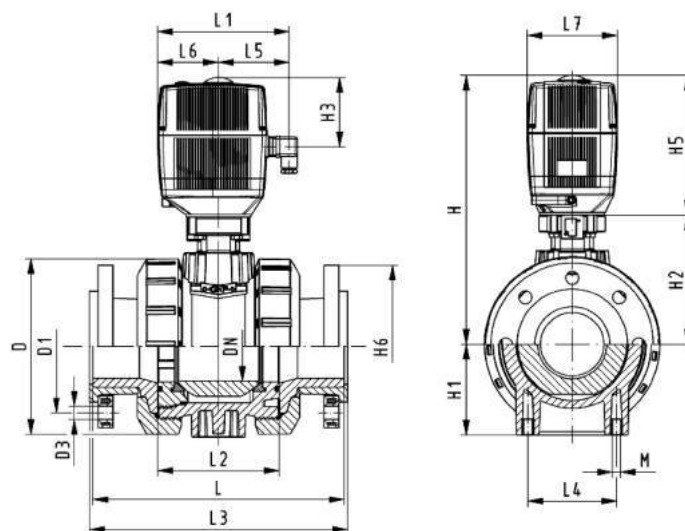
Option:

- Individual configuration of the valve (see diagram)

d [mm]	DN [mm]	PN [bar]	kv-val- ue ($\Delta p=1$ bar) [l/min]	EPDM Code	SP	Weight [kg]	FPM Code	SP	Weight [kg]
75	65	10	5000	199 134 489	1	11.900	199 134 499	1	11.900
90	80	10	7000	199 134 490	1	15.400	199 134 500	1	15.400
110	100	10	11000	199 134 491	1	21.800	199 134 501	1	

d [mm]	D _{1m}	H _{1m}	H _{1n}	H _{2n}	H _{3n}	H _{5n}	H _{6n}	L _{1m}	L _{1n}	L _{2n}	L _{3n}	L _{4n}	L _{5n}	L _{6n}	L _{7n}
75															

d _{hm}	L _{8n}
75	



PF 3 39 695 632

Ball valve type 130 PVC-C 24V With manual emergency override With solvent cement sockets metric

Model:

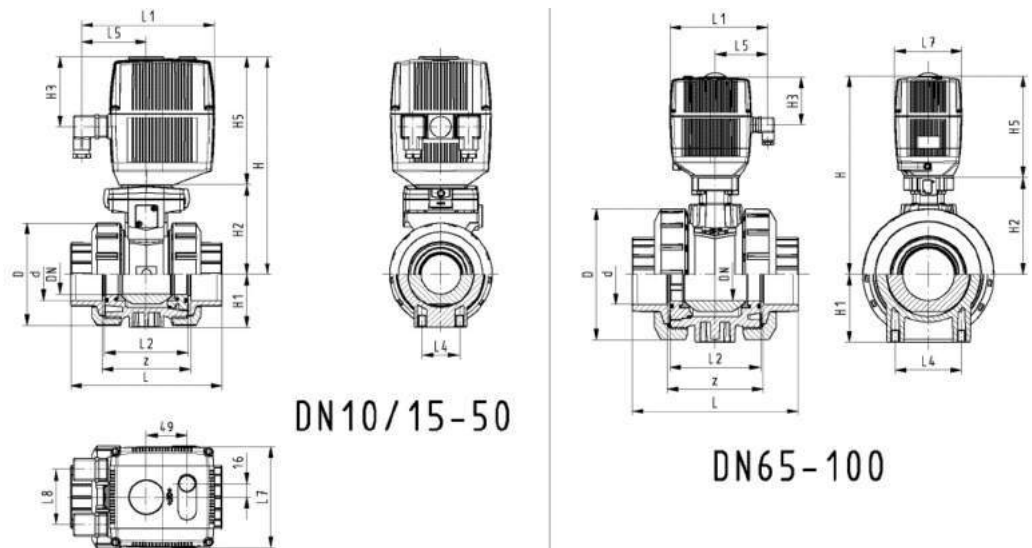
- Voltage 24 V AC/DC
- Control range 90°<
- Control time: EA21: 5s/90°<, EA31: 15s/90°<
- Assignment of actuators: EA21 (DN10/15-50), EA31 (DN65-100)
- For easy installation and removal
- Integrated stainless steel mounting inserts

Option:

- Individual configuration of the valve (see diagram)

d [mm]	DN [mm]	PN [bar]	kv-val- ue ($\Delta p=1$ bar) [l/min]	EPDM Code	SP	Weight [kg]	FPM Code	SP	Weight [kg]
16	10	10	70	199 130 442	1	2.100	199 130 452	1	2.100
20	15	10	185	199 130 443	1	2.100	199 130 453	1	2.100
25	20	10	350	199 130 444	1	2.200	199 130 454	1	2.200
50				199 130 445	1		199 130 455	1	
				199 130 446	1		199 130 456	1	
				199 130 447	1		199 130 457	1	
				199 130 448	1		199 130 458	1	
				199 130 449	1		199 130 459	1	
				199 130 450	1		199 130 460	1	
				199 130 451	1		199 130 461	1	

d [mm]	D ₁ [mm]	H ₁ [mm]	H ₁₁	H ₂	H ₃	H ₅	L ₁ [mm]	L ₁₁	L ₂	L ₄	L ₅	L ₇	Z ₁ [mm]	closest inch [inch]
16														3/8
20														1/2
25														3/4
32														
50														1/4
63														1/2
90														1/2



PF 3 39 695 632

Ball valve type 130 PVC-C 24V

With manual emergency override

With solvent cement spigots metric

Model:

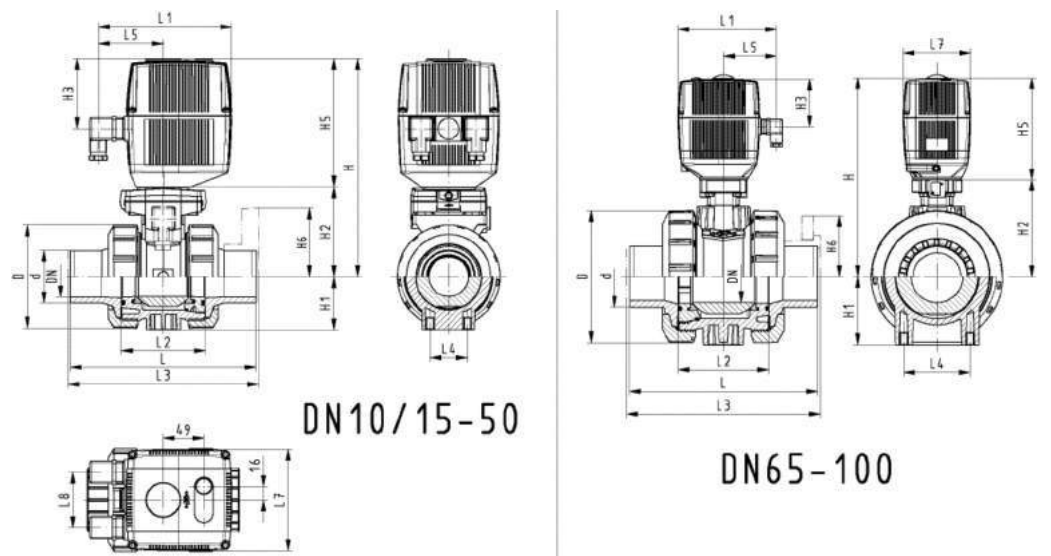
- Voltage 24 V AC/DC
- Control range 90°<
- Control time: EA21: 5s/90°<, EA31: 15s/90°<
- Assignment of actuators: EA21 (DN10/15-50), EA31 (DN65-100)
- For easy installation and removal
- Integrated stainless steel mounting inserts

Option:

- Individual configuration of the valve (see diagram)

d [mm]	DN [mm]	PN [bar]	kv-value (Δp=1 bar) [l/min]	EPDM Code	SP	Weight [kg]	FPM Code	SP	Weight [kg]
16	10	10	70	199 130 462	1	2.100	199 130 472	1	2.100
20	15	10	185	199 130 463	1	2.100	199 130 473	1	2.100
25	20	10	350	199 130 464	1	2.200	199 130 474	1	2.200
50				199 130 465	1		199 130 475	1	
				199 130 466	1		199 130 476	1	
				199 130 467	1		199 130 477	1	
				199 130 468	1		199 130 478	1	
				199 130 469	1		199 130 479	1	
				199 130 470	1		199 130 480	1	
				199 130 471	1		199 130 481	1	

d [mm]	D _m [mm]	H _{1m} [mm]	H _{1h} [mm]	H _{2h} [mm]	H _{2h} [mm]	H ₅ [mm]	L _{mm} [mm]	L _{1m} [mm]	L _{2n} [mm]	L _{3n} [mm]	L _{4n} [mm]	L _{5n} [mm]	L _{7n} [mm]	closest inch [inch]
16														3/8
20														1/2
25														3/4
32														
50														1/4
63														1/2
90														1/2



PF 3 39 695 632

Ball valve type 130 PVC-C 24V With manual emergency override With threaded sockets Rp

Model:

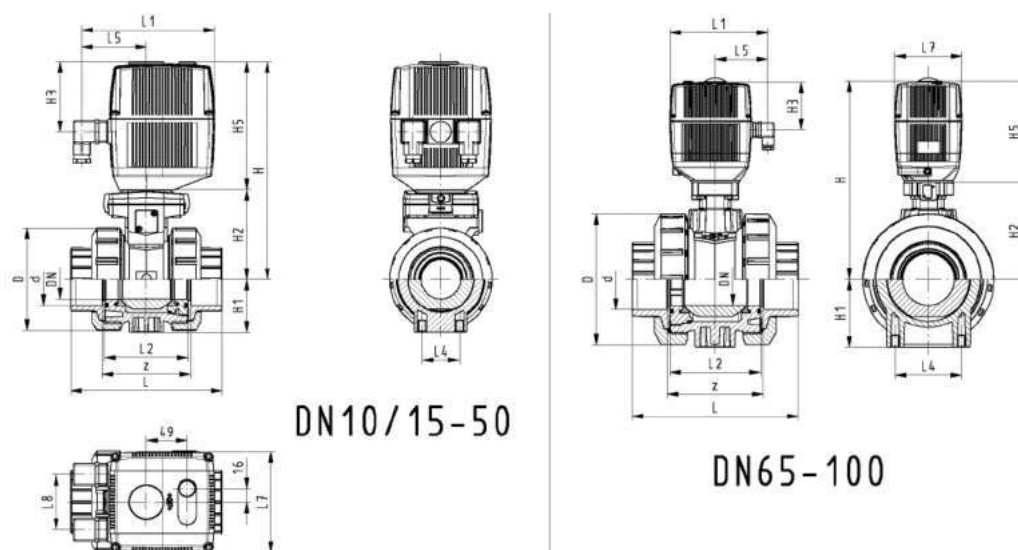
- Voltage 24 V AC/DC
- Control range 90°<
- Control time: EA21: 5s/90°<, EA31: 15s/90°<
- Assignment of actuators: EA21 (DN10/15-50), EA31 (DN65-100)
- For easy installation and removal
- Integrated stainless steel mounting inserts

Option:

- Individual configuration of the valve (see diagram)

Rp [inch]	DN [mm]	PN [bar]	kv-value ($\Delta p=1$ bar) [l/min]	EPDM Code	SP	Weight [kg]	FPM Code	SP	Weight [kg]
3/8	10	10	70	199 130 202	1	2.100	199 130 212	1	2.100
1/2	15	10	185	199 130 203	1	2.100	199 130 213	1	2.100
3/4	20	10	350	199 130 204	1	2.200	199 130 214	1	
				199 130 205	1		199 130 215	1	
1/4	32			199 130 206	1		199 130 216	1	
1 1/2	40			199 130 207	1		199 130 217	1	
				199 130 208	1		199 130 218	1	
1/2	65			199 130 209	1		199 130 219	1	
				199 130 210	1		199 130 220	1	
				199 130 211	1		199 130 221	1	

Rp [inch]	D[m]	H[m]	H1[m]	H2[m]	H3[m]	H5[m]	L[m]	L1[m]	L2[m]	L4[m]	L5[m]	L7[m]	Z[m]
3/8	50												
1/2	50												
3/4	58												
1/4	84												
1 1/2	97												
1/2	166												



PF 3 39 695 632

Ball valve type 130 PVC-C 24V With manual emergency override With backing flanges PP-st metric

Model:

- Voltage 24 V AC/DC
- Control range 90°<
- Control time: EA21: 5s/90°<, EA31: 15s/90°<
- Assignment of actuators: EA21 (DN10/15-50), EA31 (DN65-100)
- For easy installation and removal
- Integrated stainless steel mounting inserts
- Overall length according to EN 558
- Connecting dimension: ISO 7005, EN 1092, BS 4504, DIN 2501

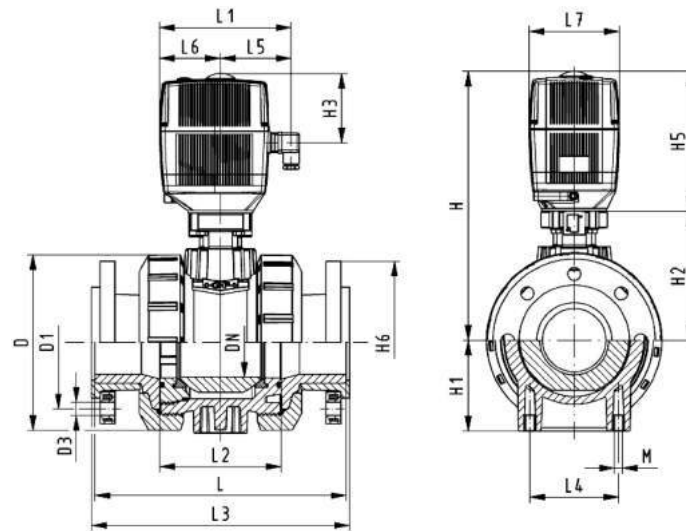
Option:

- Individual configuration of the valve (see diagram)

d [mm]	DN [mm]	PN [bar]	kv-value ($\Delta p=1$ bar) [l/min]	EPDM Code	SP	Weight [kg]	FPM Code	SP	Weight [kg]
75	65	10	5000	199 134 509	1	11.900	199 134 519	1	11.900
90	80	10	7000	199 134 510	1	15.400	199 134 520	1	15.400
110	100	10	11000	199 134 511	1	21.800	199 134 521	1	

d [mm]	D _{1m}	H _{1m}	H _{1h}	H _{2h}	H _{3h}	H _{5h}	H _{6h}	L _{1m}	L _{1h}	L _{2h}	L _{3h}	L _{4h}	L _{5h}	L _{6h}	L _{7h}
75															

d _{hm}	L _{8h}
75	



PF 3 39 695 632

185

3-Way ball valve type 185 PVC-C Horizontal/T-port 100-230V With manual emergency override With solvent cement sockets metric

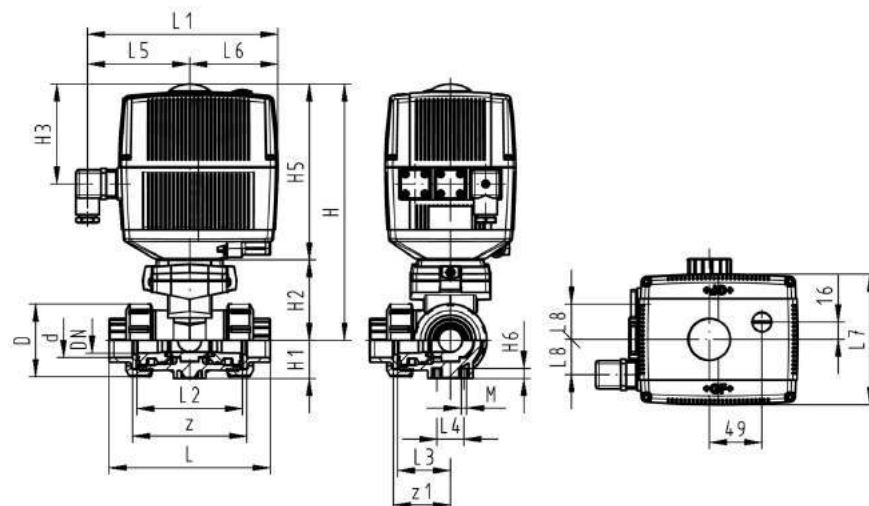
Model:

- Built on with electric actuator EA21
- Voltage 100-230 V, 50-60 Hz
- Control range 90°<
- Basic position A-B-C opened, activated position B-C opened, see flow scheme
- Other positions possible by adjusting the limit switches
- Control time 5 s/90°<
- For easy installation and removal
- Integrated stainless steel mounting inserts

d [mm]	DN [mm]	PN [bar]	kv-value (Δp=1 bar) [l/min]	EPDM Code	SP	Weight [kg]	FPM Code	SP	Weight [kg]
16	10	10	140	199 185 142	1	2.142	199 185 152	1	2.142
20	15	10	200	199 185 143	1	2.148	199 185 153	1	2.148
25	20	10	470	199 185 144	1	2.285	199 185 154	1	
				199 185 145	1		199 185 155	1	
				199 185 146	1		199 185 156	1	
				199 185 147	1		199 185 157	1	
				199 185 148	1		199 185 158	1	

d [mm]	l _{1n}	l _{2n}	l _{3n}	l _{4n}	l _{5n}	l _{6n}	l _{7n}
16							

øh _m	l _{8n}	M	z _{1n}	closest inch [inch]
16				3/8
20				1/2
25				3/4
32				
50				1/4
63				1/2



PF 3 39 980 032

3-Way ball valve type 185 PVC-C Horizontal/T-port 100-230V With manual emergency override With solvent cement spigots metric

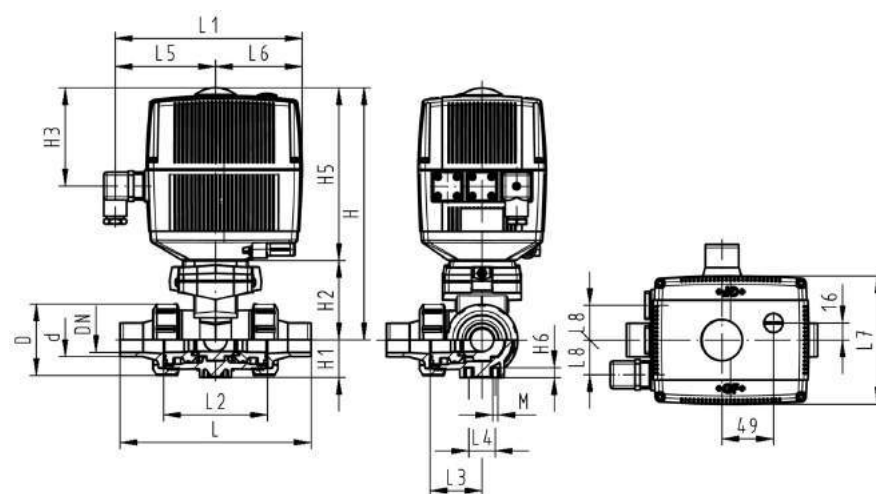
Model:

- Built on with electric actuator EA21
- Voltage 100-230 V, 50-60 Hz
- Control range 90°<
- Basic position A-B-C opened, activated position B-C opened, see flow scheme
- Other positions possible by adjusting the limit switches
- Control time 5 s/90°<
- For easy installation and removal
- Integrated stainless steel mounting inserts

d [mm]	DN [mm]	PN [bar]	kv-val- ue ($\Delta p=1$ bar) [l/min]	EPDM Code	SP	Weight [kg]	FPM Code	SP	Weight [kg]
16	10	10	140	199 185 122	1	2.148	199 185 132	1	2.148
20	15	10	200	199 185 123	1	2.158	199 185 133	1	2.158
25	20	10	470	199 185 124	1	2.301	199 185 134	1	
				199 185 125	1		199 185 135	1	
				199 185 126	1		199 185 136	1	
				199 185 127	1		199 185 137	1	
				199 185 128	1		199 185 138	1	

d [mm]	Øm [mm]	Hm [mm]	H1n [mm]	H2n [mm]	H3n [mm]	H5n [mm]	H6n [mm]	kn [mm]	kn1n [mm]	kn2n [mm]	kn3n [mm]	kn4n [mm]	kn5n [mm]	kn6n [mm]	kn7n [mm]
16															

Øm [mm]	kn [mm]	M	[inch]
16			3/8
20			1/2
25			3/4
32			
50			1/4
63			1/2



PF 3 39 980 032

3-Way ball valve type 185 PVC-C Horizontal/T-port 24V With manual emergency override With solvent cement sockets metric

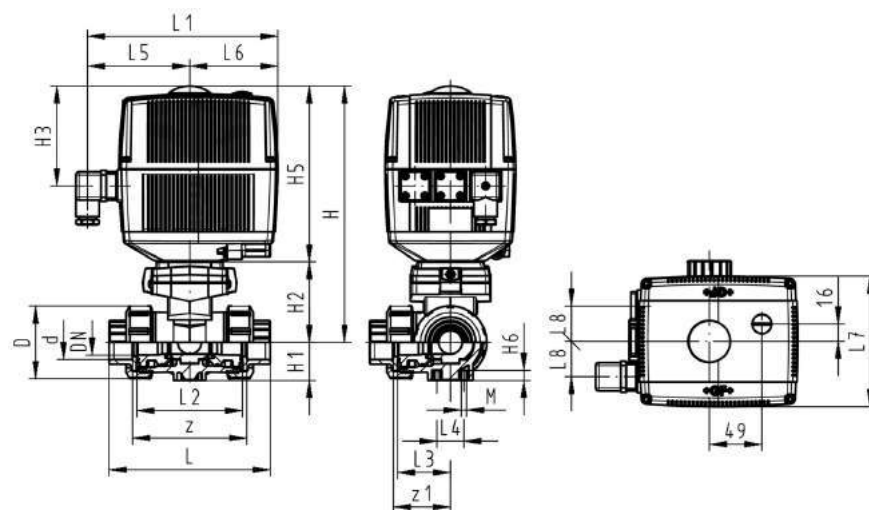
Model:

- Built on with electric actuator EA21
- Voltage 24 V AC/DC
- Control range 90°<
- Basic position A-B-C opened, activated position B-C opened, see flow scheme
- Other positions possible by adjusting the limit switches
- Control time 5 s/90°<
- For easy installation and removal
- Integrated stainless steel mounting inserts

d [mm]	DN [mm]	PN [bar]	kv-val- ue ($\Delta p=1$ bar) [l/min]	EPDM Code	SP	Weight [kg]	FPM Code	SP	Weight [kg]
16	10	10	140	199 185 322	1	2.142	199 185 332	1	2.142
20	15	10	200	199 185 323	1	2.148	199 185 333	1	2.148
25	20	10	470	199 185 324	1	2.285	199 185 334	1	
				199 185 325	1		199 185 335	1	
				199 185 326	1		199 185 336	1	
				199 185 327	1		199 185 337	1	
				199 185 328	1		199 185 338	1	

d [mm]	D _{1n} [mm]	H _{1n} [mm]	H _{1h} [mm]	H _{2h} [mm]	H _{3h} [mm]	H _{5h} [mm]	H _{6h} [mm]	L _{1n} [mm]	L _{2n} [mm]	L _{3n} [mm]	L _{4n} [mm]	L _{5n} [mm]	L _{6n} [mm]	L _{7n} [mm]
16														

Ø _h [mm]	L _{8n} [mm]	M	[mm]	Ø _{1n} [mm]	closest inch [inch]
16					3/8
20					1/2
25					3/4
32					
50					1/4
63					1/2



PF 3 39 980 032

3-Way ball valve type 185 PVC-C Horizontal/T-port 24V With manual emergency override With solvent cement spigots metric

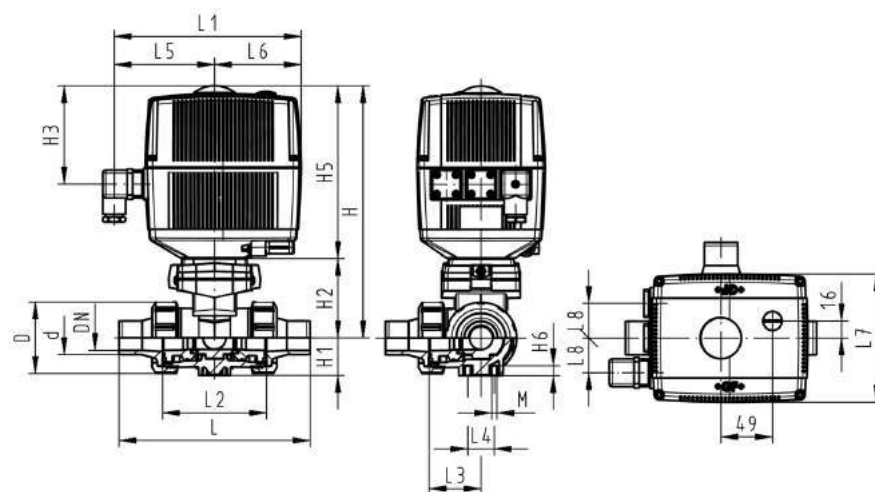
Model:

- Built on with electric actuator EA21
- Voltage 24 V AC/DC
- Control range 90°<
- Basic position A-B-C opened, activated position B-C opened, see flow scheme
- Other positions possible by adjusting the limit switches
- Control time 5 s/90°<
- For easy installation and removal
- Integrated stainless steel mounting inserts

d [mm]	DN [mm]	PN [bar]	kv-val- ue ($\Delta p=1$ bar) [l/min]	EPDM Code	SP	Weight [kg]	FPM Code	SP	Weight [kg]
16	10	10	140	199 185 302	1	2.148	199 185 312	1	2.148
20	15	10	200	199 185 303	1	2.158	199 185 313	1	2.158
25	20	10	470	199 185 304	1	2.301	199 185 314	1	
				199 185 305	1		199 185 315	1	
				199 185 306	1		199 185 316	1	
				199 185 307	1		199 185 317	1	
				199 185 308	1		199 185 318	1	

d [mm]	Øm [mm]	Hm [mm]	H1n [mm]	H2n [mm]	H3n [mm]	H5n [mm]	H6n [mm]	knm [mm]	ka1n [mm]	ka2n [mm]	ka3n [mm]	ka4n [mm]	ka5n [mm]	ka6n [mm]	ka7n [mm]
16															

Øm [mm]	ka8n [mm]	M [inch]
16		3/8
20		1/2
25		3/4
32		
50		1/4
63		1/2



PF 3 39 980 032

3-Way ball valve type 185 PVC-C Horizontal/L-port 100-230V With manual emergency override With solvent cement sockets metric

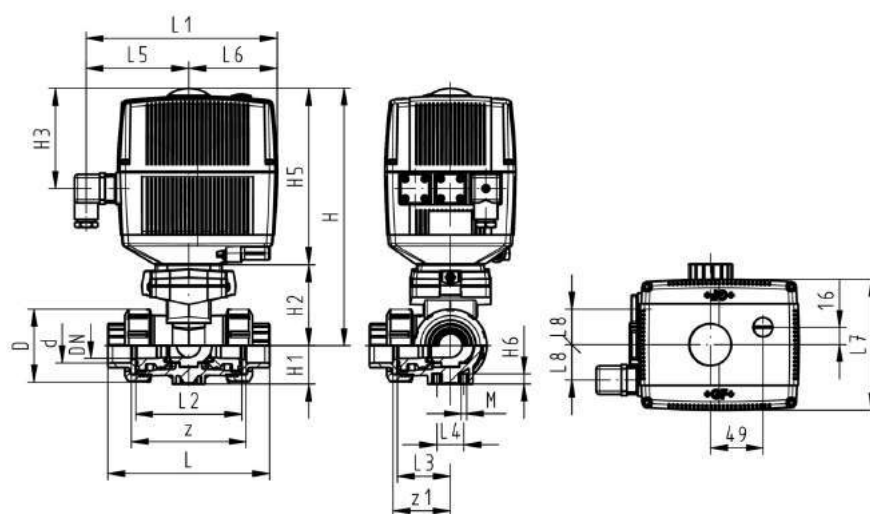
Model:

- Built on with electric actuator EA21
- Voltage 100-230 V, 50-60 Hz
- Control range 90°<
- Basic position A-C opened, activated position B-C opened, see flow scheme
- Other positions possible by adjusting the limit switches
- Control time 5 s/90°<
- For easy installation and removal
- Integrated stainless steel mounting inserts

d [mm]	DN [mm]	PN [bar]	kv-val- ue ($\Delta p=1$ bar) [l/min]	EPDM Code	SP	Weight [kg]	FPM Code	SP	Weight [kg]
16	10	10	50	199 185 102	1	2.143	199 185 112	1	2.143
20	15	10	75	199 185 103	1	2.149	199 185 113	1	2.149
25	20	10	150	199 185 104	1	2.287	199 185 114	1	
				199 185 105	1		199 185 115	1	
				199 185 106	1		199 185 116	1	
				199 185 107	1		199 185 117	1	
				199 185 108	1		199 185 118	1	

d [mm]	D _{1n} [mm]	H _{1n} [mm]	H _{11n}	H ₂₁	H ₃₁	H ₅₁	H ₆₁	L _{1n} [mm]	L _{11n}	L _{2n}	L _{3n}	L _{4n}	L _{5n}	L _{6n}	L _{7n}
16															

φ _{1n} [mm]	L _{8n}	M	[mm]	φ _{11n}	closest inch [inch]
16					3/8
20					1/2
25					3/4
32					
50					1/4
63					1/2



PF 3 39 980 032

3-Way ball valve type 185 PVC-C Horizontal/L-port 100-230V With manual emergency override With solvent cement spigots metric

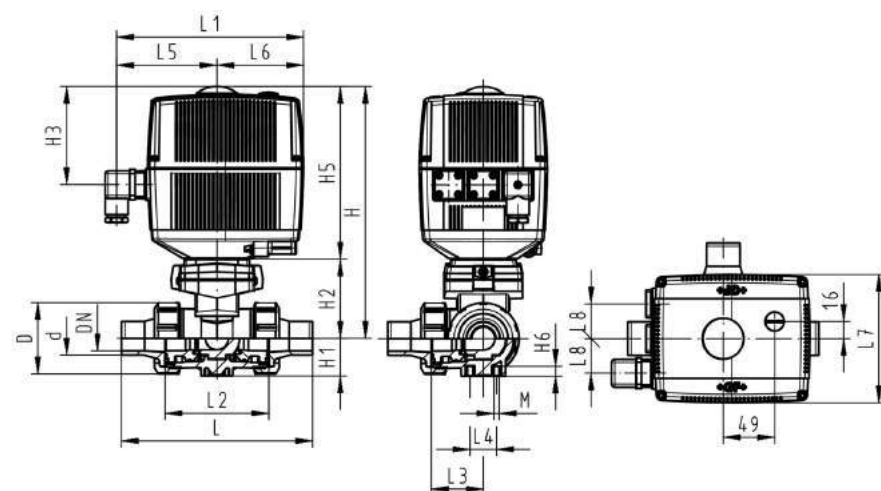
Model:

- Built on with electric actuator EA21
- Voltage 100-230 V, 50-60 Hz
- Control range 90°<
- Basic position A-C opened, activated position B-C opened, see flow scheme
- Other positions possible by adjusting the limit switches
- Control time 5 s/90°<
- For easy installation and removal
- Integrated stainless steel mounting inserts

d [mm]	DN [mm]	PN [bar]	kv-val- ue ($\Delta p=1$ bar) [l/min]	EPDM Code	SP	Weight [kg]	FPM Code	SP	Weight [kg]
16	10	10	50	199 185 082	1	2.149	199 185 092	1	2.149
20	15	10	75	199 185 083	1	2.159	199 185 093	1	2.159
25	20	10	150	199 185 084	1	2.303	199 185 094	1	
				199 185 085	1		199 185 095	1	
				199 185 086	1		199 185 096	1	
				199 185 087	1		199 185 097	1	
				199 185 088	1		199 185 098	1	

d [mm]	Øm [mm]	Hm [mm]	H1n [mm]	H2n [mm]	H3n [mm]	H5n [mm]	H6n [mm]	knm [mm]	ka1n [mm]	ka2n [mm]	ka3n [mm]	ka4n [mm]	ka5n [mm]	ka6n [mm]	ka7n [mm]
16															

Øm [mm]	ka8n [mm]	M	[inch]
16			3/8
20			1/2
25			3/4
32			
50			1/4
63			1/2



PF 3 39 980 032

3-Way ball valve type 185 PVC-C Horizontal/L-port 24V With manual emergency override With solvent cement sockets metric

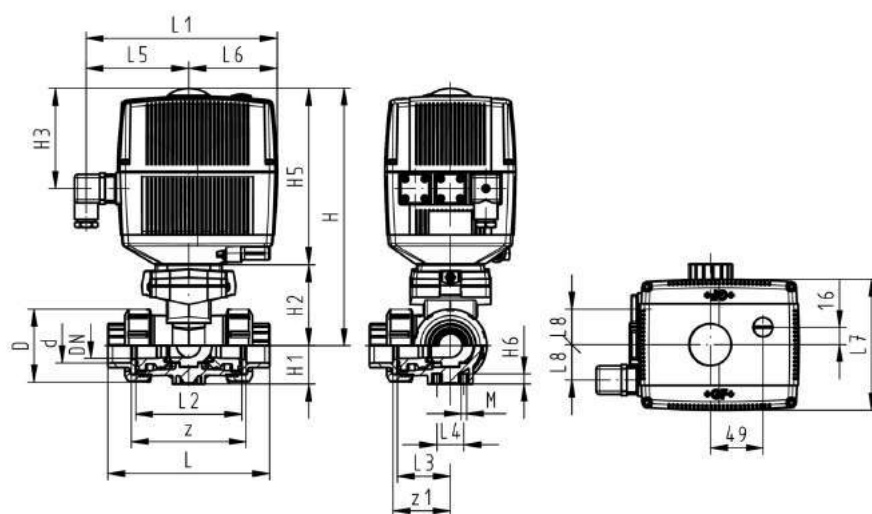
Model:

- Built on with electric actuator EA21
- Voltage 24 V AC/DC
- Control range 90°<
- Basic position A-C opened, activated position B-C opened, see flow scheme
- Other positions possible by adjusting the limit switches
- Control time 5 s/90°<
- For easy installation and removal
- Integrated stainless steel mounting inserts

d [mm]	DN [mm]	PN [bar]	kv-value (Δp=1 bar) [l/min]	EPDM Code	SP	Weight [kg]	FPM Code	SP	Weight [kg]
16	10	10	50	199 185 262	1	2.143	199 185 272	1	2.143
20	15	10	75	199 185 263	1	2.149	199 185 273	1	2.149
25	20	10	150	199 185 264	1	2.287	199 185 274	1	
				199 185 265	1		199 185 275	1	
				199 185 266	1		199 185 276	1	
				199 185 267	1		199 185 277	1	
				199 185 268	1		199 185 278	1	

d [mm]	Øm [mm]	Hm [mm]	H1n [mm]	H2n [mm]	H3n [mm]	H5n [mm]	H6n [mm]	Ln [mm]	L1n [mm]	L2n [mm]	L3n [mm]	L4n [mm]	L5n [mm]	L6n [mm]	L7n [mm]
16															

Øm [mm]	L8n [mm]	M [mm]	z1n [mm]	closest inch [inch]
16				3/8
20				1/2
25				3/4
32				
50				1/4
63				1/2



PF 3 39 980 032

3-Way ball valve type 185 PVC-C Horizontal/L-port 24V With manual emergency override With solvent cement spigots metric

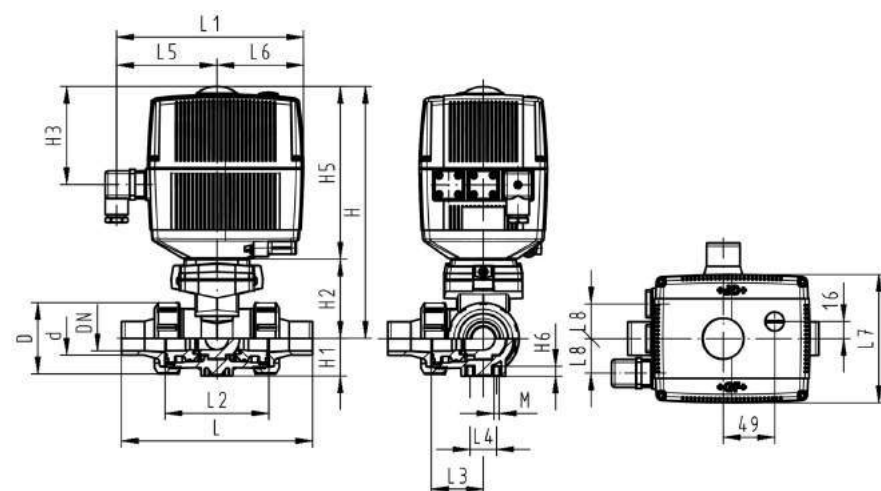
Model:

- Built on with electric actuator EA21
- Voltage 24 V AC/DC
- Control range 90°<
- Basic position A-C opened, activated position B-C opened, see flow scheme
- Other positions possible by adjusting the limit switches
- Control time 5 s/90°<
- For easy installation and removal
- Integrated stainless steel mounting inserts

d [mm]	DN [mm]	PN [bar]	kv-val- ue ($\Delta p=1$ bar) [l/min]	EPDM Code	SP	Weight [kg]	FPM Code	SP	Weight [kg]
16	10	10	50	199 185 282	1	2.149	199 185 292	1	2.149
20	15	10	75	199 185 283	1	2.159	199 185 293	1	2.159
25	20	10	150	199 185 284	1	2.303	199 185 294	1	
				199 185 285	1		199 185 295	1	
				199 185 286	1		199 185 296	1	
				199 185 287	1		199 185 297	1	
				199 185 288	1		199 185 298	1	

d [mm]	Øm [mm]	Hm [mm]	H1n [mm]	H2n [mm]	H3n [mm]	H5n [mm]	H6n [mm]	knm [mm]	ka1n [mm]	ka2n [mm]	ka3n [mm]	ka4n [mm]	ka5n [mm]	ka6n [mm]	ka7n [mm]
16															

Øm [mm]	ka8n [mm]	M	[inch]
16			3/8
20			1/2
25			3/4
32			
50			1/4
63			1/2



PF 3 39 980 032

104

Ball valve type 104 PVC-C 100-230V With solvent cement sockets metric

Model:

- Voltage 100-230 V, 50-60 Hz
- Control range 90°<
- For easy installation and removal
- Integrated stainless steel mounting inserts

d [mm]	DN [mm]	PN [bar]	kv-value ($\Delta p=1$ bar) [l/min]	EPDM Code	FPM Code	H [mm]	L [mm]	Type of ac- tuator	B [mm]
16	10	10	70	199 104 102	199 104 112	194	178.5	10Nm	50
20	15	10	185	199 104 103	199 104 113	194	178.5	10Nm	50
25	20	10	350	199 104 104 199 104 105 199 104 106 199 104 107 199 104 108	199 104 114	207 217 236 275 307			



Ball valve type 104 PVC-C 24V With solvent cement sockets metric

d [mm]	DN [mm]	PN [bar]	kv-value ($\Delta p=1$ bar) [l/min]	EPDM Code	FPM Code	H [mm]	L [mm]	Type of ac- tuator	B [mm]
16				199 104 142 199 104 143 199 104 144 199 104 145 199 104 146 199 104 147 199 104 148		194 194 207 217 236 275 307			



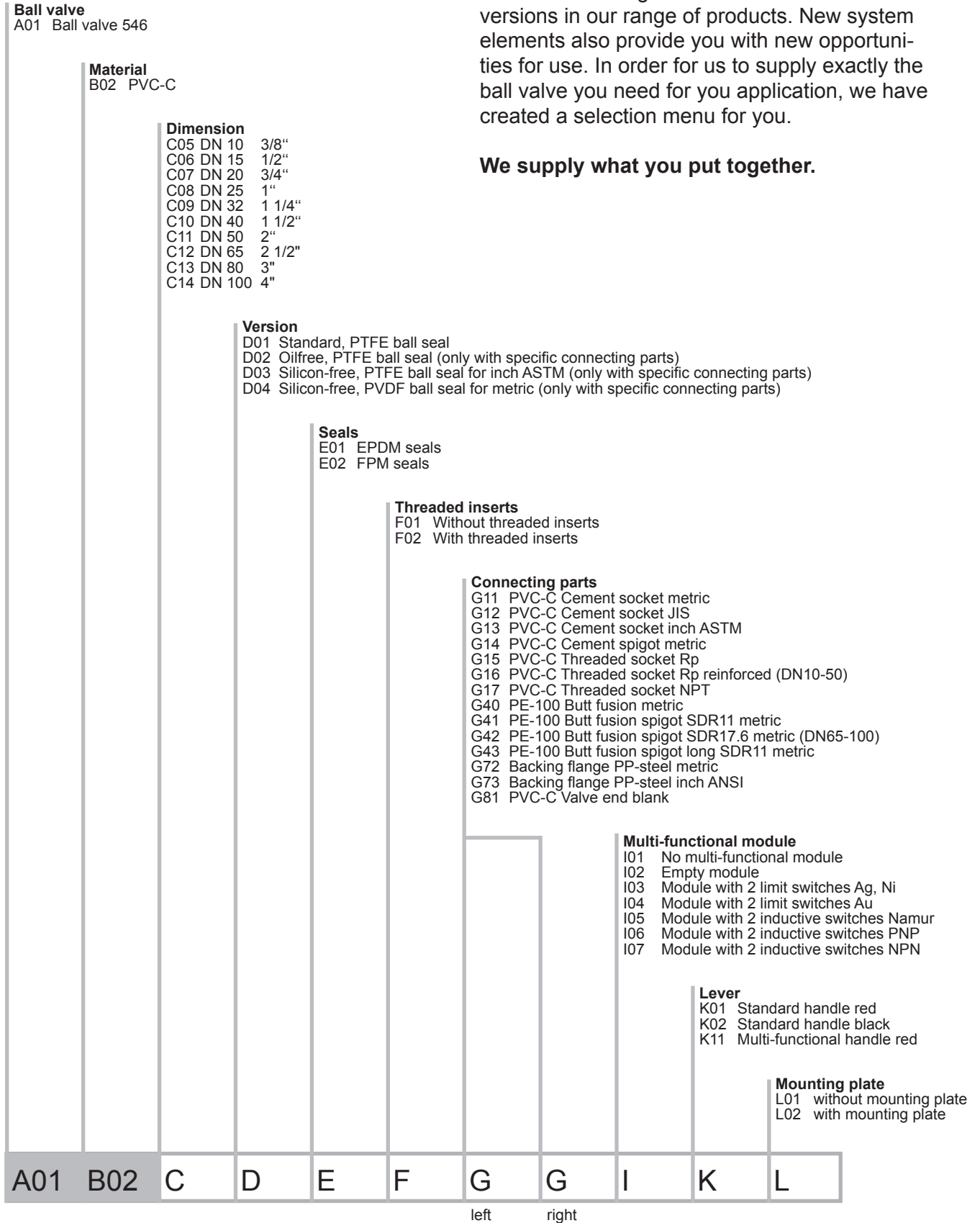
Notes

Copiable

Configurator GF ball valve type 546 PVC-C

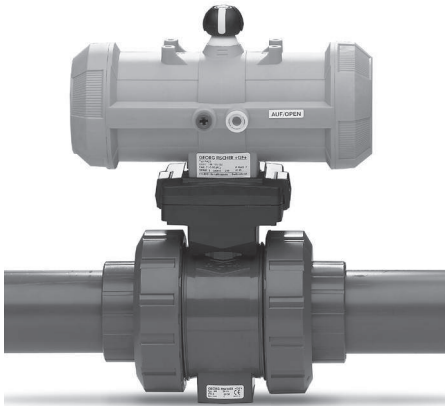
You will find a large selection of different versions in our range of products. New system elements also provide you with new opportunities for use. In order for us to supply exactly the ball valve you need for your application, we have created a selection menu for you.

We supply what you put together.



Copiable

GF ball valve type 546 with pneumatic actuator



**It's so easy to actuate
the type 546:**

With the configurator, you have a choice of new pneumatic actuators PA11 and PA21 in 2 optimized sizes including a large range of accessories.

We supply what you put together.

Pneumatic actuators PA11/PA21

- P01 Fail safe to close PA11/PA21
- P02 Fail safe to open PA11/21
- P03 Double acting PA11/21
- P30 Fail safe to close PA30/90
- P31 Fail safe to open PA30/90
- P32 Double acting PA30/90

Manual override

- Q01 Without manual override
- Q02 With manual override

Stroke limiter

- R01 Without stroke limiter
- R02 With stroke limiter

P	Q	R	
----------	----------	----------	--

Ball valves pneumatic

230

Ball valve type 230 PVC-C FC (Fail safe to close)

Without manual override

With solvent cement sockets metric

Model:

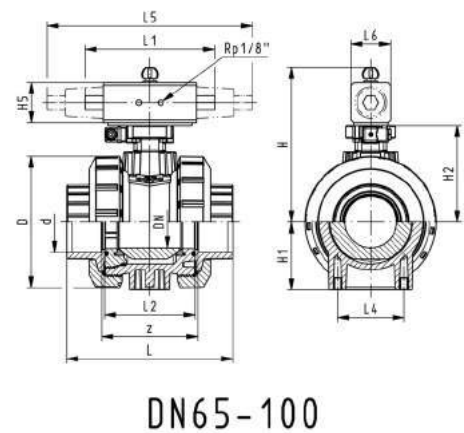
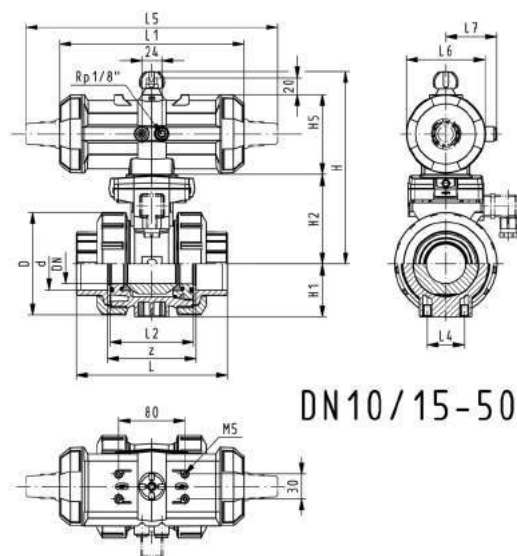
- Control time $90^\circ <$ 1-2 s
- Assignment of actuators: PA11 (DN10/15-25), PA21 (DN32-50), PA30 (DN65), PA40 (DN80), PA40 (DN100)
- For easy installation and removal
- Integrated stainless steel mounting inserts

Option:

- Individual configuration of the valve (see diagram)

d [mm]	DN [mm]	PN [bar]	kv-val- ue ($\Delta p=1$ bar) [l/min]	EPDM Code	SP	Weight [kg]	FPM Code	SP	Weight [kg]
16	10	10	70	199 230 522	1	1.159	199 230 532	1	1.159
20	15	10	185	199 230 523	1	1.553	199 230 533	1	1.159
25	20	10	350	199 230 524	1	1.276	199 230 534	1	
				199 230 525	1		199 230 535	1	
				199 230 526	1		199 230 536	1	
50				199 230 527	1		199 230 537	1	
				199 230 528	1		199 230 538	1	
				199 230 529	1		199 230 539	1	
				199 230 530	1		199 230 540	1	
				199 230 531	1		199 230 541	1	

d [mm]	D _m [mm]	H _m [mm]	H _{1n}	H _{2n}	H _{5n}	L _{1n} [mm]	L _{2n}	L _{4n}	L _{5n}	L _{6n}	L _{7n}	Z _{nm}	closest inch [inch]
16													3/8
20													1/2
25													3/4
32													
													1/4
50													1/2
63													
90													1/2



PF 3 39 696 032

Ball valve type 230 PVC-C FC (fail safe to close) With manual override With solvent cement sockets metric

Model:

- Built on with pneumatic actuator PA11 (DN10/15-25), PA21 (DN32-50)
- Control time $90^\circ <$ 1-2 s
- For easy installation and removal
- Integrated stainless steel mounting inserts

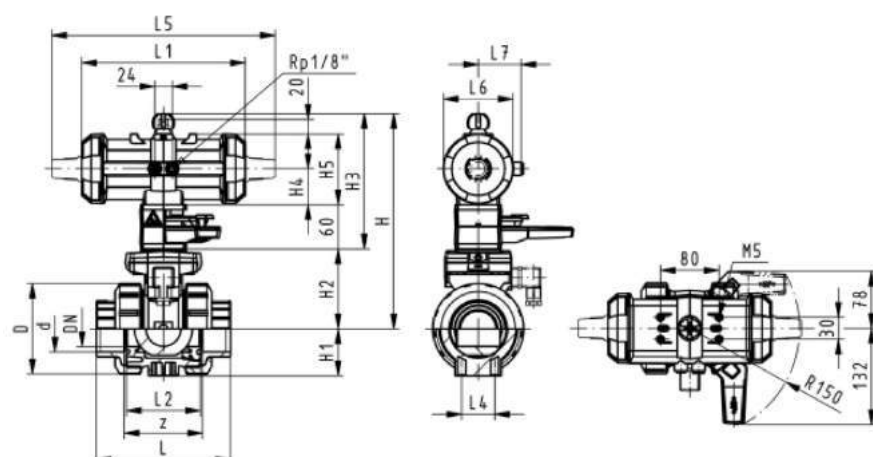
Option:

- Individual configuration of the valve (see diagram)

d [mm]	DN [mm]	PN [bar]	kv-value ($\Delta p=1$ bar) [l/min]	EPDM Code	SP	Weight [kg]	FPM Code	SP	Weight [kg]
16	10	10	70	199 230 402	1	1.459	199 230 412	1	1.459
20	15	10	185	199 230 403	1	1.459	199 230 413	1	1.459
25	20	10	350	199 230 404	1	1.576	199 230 414	1	
				199 230 405	1		199 230 415	1	
				199 230 406	1		199 230 416	1	
				199 230 407	1		199 230 417	1	
				199 230 408	1		199 230 418	1	

d [mm]	Øm1	Hm1	Hh1	Hh2	Hh3	Hh4	Hh5	Lm1	Lm2	Lm3	Lm4	Lm5	Lm6	Lm7	Zm1
16															

Øm1	closest inch [inch]
16	3/8
20	1/2
25	3/4
32	
50	1/4
63	1/2



PF 3 39 696 032

Ball valve type 230 PVC-C FC (Fail safe to close) Without manual override With solvent cement spigots metric

Model:

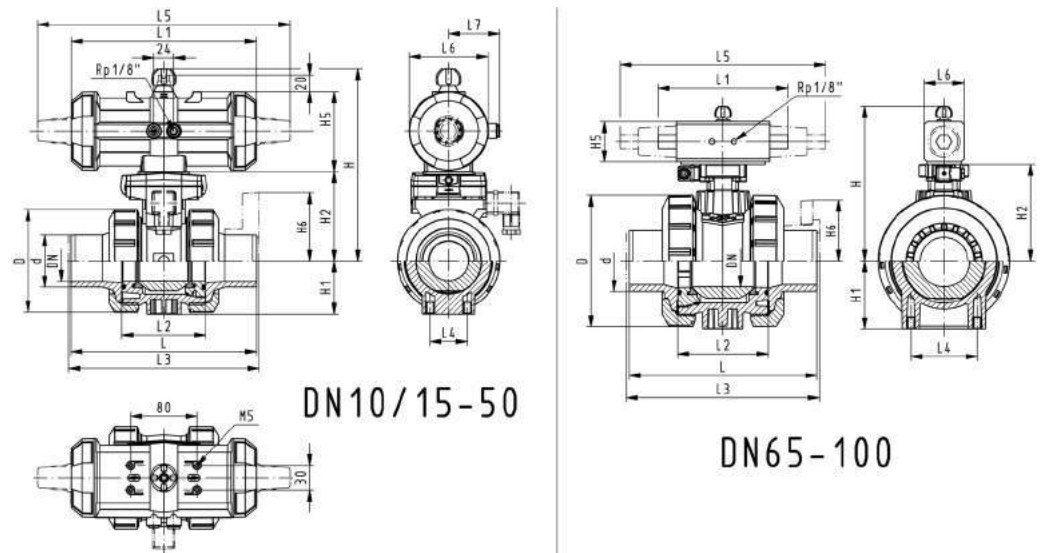
- Control time 90°<) 1-2 s
- Assignment of actuators: PA11 (DN10/15-25), PA21 (DN32-50), PA30 (DN65), PA40 (DN80), PA40 (DN100)
- For easy installation and removal
- Integrated stainless steel mounting inserts

Option:

- Individual configuration of the valve (see diagram)

d [mm]	DN [mm]	PN [bar]	kv-val- ue ($\Delta p=1$ bar) [l/min]	EPDM Code	SP	Weight [kg]	FPM Code	SP	Weight [kg]
16	10	10	70	199 230 542	1	1.159	199 230 552	1	1.159
20	15	10	185	199 230 543	1	1.159	199 230 553	1	1.159
25	20	10	350	199 230 544	1	1.276	199 230 554	1	
				199 230 545	1		199 230 555	1	
				199 230 546	1		199 230 556	1	
50				199 230 547	1		199 230 557	1	
				199 230 548	1		199 230 558	1	
				199 230 549	1		199 230 559	1	
				199 230 550	1		199 230 560	1	
				199 230 551	1		199 230 561	1	

d [mm]	D _m [mm]	H _m [mm]	H _{1n}	H _{2n}	H _{5n}	L _m [mm]	L _{1n}	L _{2n}	L _{3n}	L _{4n}	L _{5n}	L _{6n}	L _{7n}	closest inch [inch]
16														3/8
20														1/2
25														3/4
32														
50														1/4
63														1/2
90														1/2



PF 3 39 696 032

Ball valve type 230 PVC-C FC (fail safe to close) With manual override With solvent cement spigots metric

Model:

- Built on with pneumatic actuator PA11 (DN10/15-25), PA21 (DN32-50)
- Control time $90^\circ <$ 1-2 s
- For easy installation and removal
- Integrated stainless steel mounting inserts

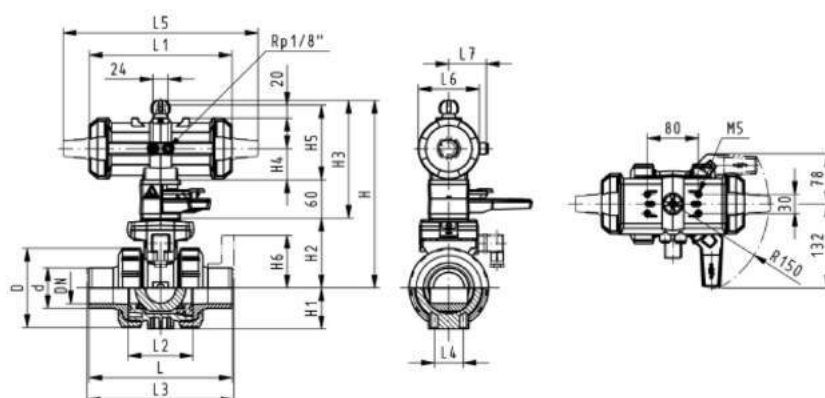
Option:

- Individual configuration of the valve (see diagram)

d [mm]	DN [mm]	PN [bar]	kv-value ($\Delta p=1$ bar) [l/min]	EPDM Code	SP	Weight [kg]	FPM Code	SP	Weight [kg]
16	10	10	70	199 230 422	1	1.459	199 230 432	1	1.459
20	15	10	185	199 230 423	1	1.459	199 230 433	1	1.459
25	20	10	350	199 230 424	1	1.576	199 230 434	1	
				199 230 425	1		199 230 435	1	
				199 230 426	1		199 230 436	1	
				199 230 427	1		199 230 437	1	
				199 230 428	1		199 230 438	1	

d [mm]	l ₁ [mm]	l ₂ [mm]	l ₃ [mm]	l ₄ [mm]	l ₅ [mm]	l ₆ [mm]	l ₇ [mm]	l ₈ [mm]	l ₉ [mm]	l ₁₀ [mm]	l ₁₁ [mm]	l ₁₂ [mm]	l ₁₃ [mm]	l ₁₄ [mm]	l ₁₅ [mm]
16															

l ₁₆ [mm]	closest inch [inch]
16	3/8
20	1/2
25	3/4
32	
50	1/4
63	1/2



PF 3 39 696 032

Ball valve type 230 PVC-C FC (Fail safe to close) Without manual override With threaded sockets Rp

Model:

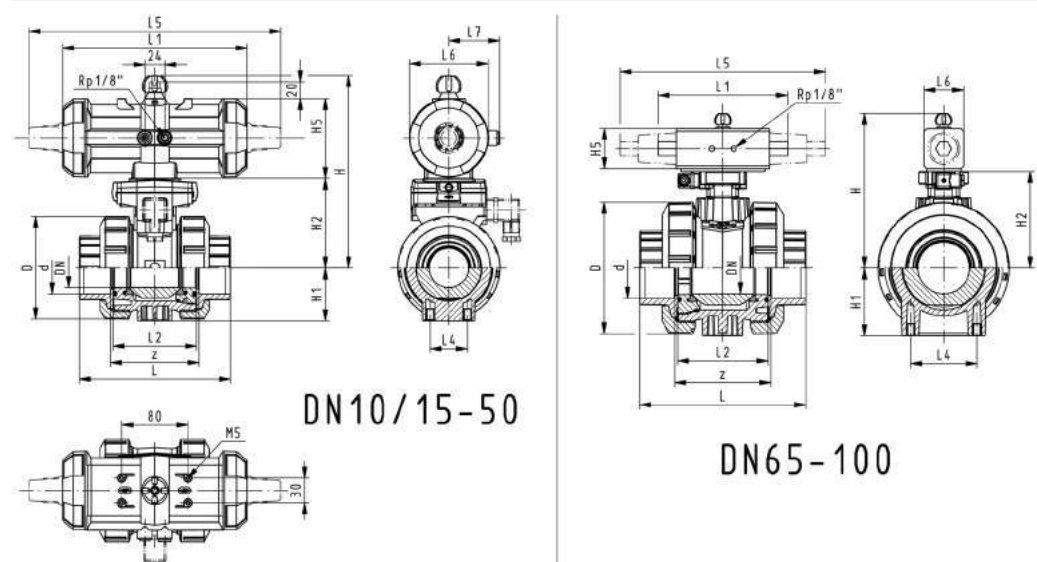
- Control time 90°<) 1-2 s
- Assignment of actuators: PA11 (DN10/15-25), PA21 (DN32-50), PA30 (DN65), PA40 (DN80), PA40 (DN100)
- For easy installation and removal
- Integrated stainless steel mounting inserts

Option:

- Individual configuration of the valve (see diagram)

Rp [inch]	DN [mm]	PN [bar]	kv-val- ue ($\Delta p=1$ bar) [l/min]	EPDM Code	SP	Weight [kg]	FPM Code	SP	Weight [kg]
3/8	10	10	70	199 230 872	1	1.200	199 230 892	1	1.200
1/2	15	10	185	199 230 873	1	1.200	199 230 893	1	1.200
3/4	20	10	350	199 230 874	1	1.300	199 230 894	1	
				199 230 875	1		199 230 895	1	
1/4	32			199 230 876	1		199 230 896	1	
1 1/2	40			199 230 877	1		199 230 897	1	
				199 230 878	1		199 230 898	1	
1/2	65			199 230 879	1		199 230 899	1	
				199 230 880	1		199 230 900	1	
				199 230 881	1		199 230 901	1	

Rp [inch]	Dm	Hm	H1n	H2n	H5n	Lmm	L1n	L2n	L4n	L5n	L6n	L7n	Znm
3/8	50												
1/2	50												
3/4	58												
1/4	84												
1 1/2	97												
1/2	166												



PF 3 39 696 032

Ball valve type 230 PVC-C FC (fail safe to close) With manual override With threaded sockets Rp

Model:

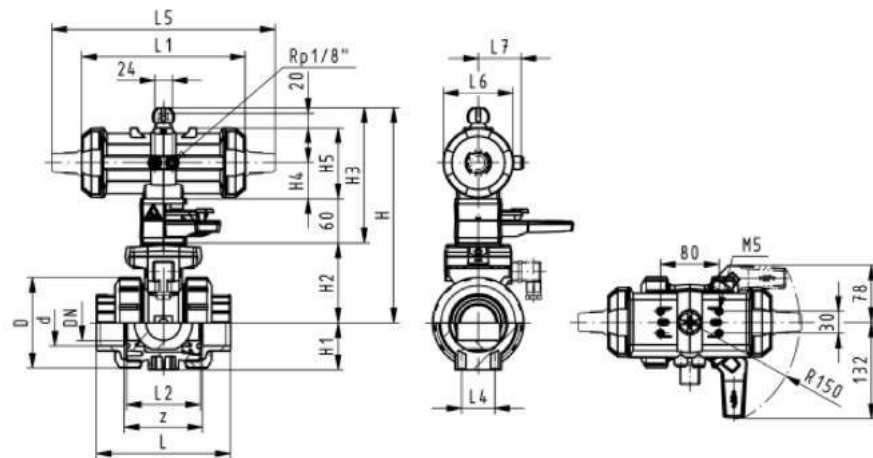
- Built on with pneumatic actuator PA11 (DN10/15-25), PA21 (DN32-50)
- Control time 90°<) 1-2 s
- For easy installation and removal
- Integrated stainless steel mounting inserts

Option:

- Individual configuration of the valve (see diagram)

Rp [inch]	DN [mm]	PN [bar]	kv-value ($\Delta p=1$ bar) [l/min]	EPDM Code	SP	Weight [kg]	FPM Code	SP	Weight [kg]
3/8	10	10	70	199 230 752	1	1.500	199 230 772	1	1.500
1/2	15	10	185	199 230 753	1	1.500	199 230 773	1	1.500
3/4	20	10	350	199 230 754	1	1.600	199 230 774	1	
				199 230 755	1		199 230 775	1	
1/4	32			199 230 756	1		199 230 776	1	
1/2	40			199 230 757	1		199 230 777	1	
				199 230 758	1		199 230 778	1	

Rp [inch]	Øm [mm]	Hm [mm]	H1n [mm]	H2n [mm]	H3n [mm]	H4n [mm]	H5n [mm]	Lnm [mm]	L1n [mm]	L2n [mm]	L4n [mm]	L5n [mm]	L6n [mm]	L7n [mm]	Ønm [mm]
3/8	50														
1/2	50														
3/4	58														
1/4	84														
1/2	97														



PF 3 39 696 032

Ball valve type 230 PVC-C FC (Fail safe to close) Without manual override With backing flanges PP-st metric

Model:

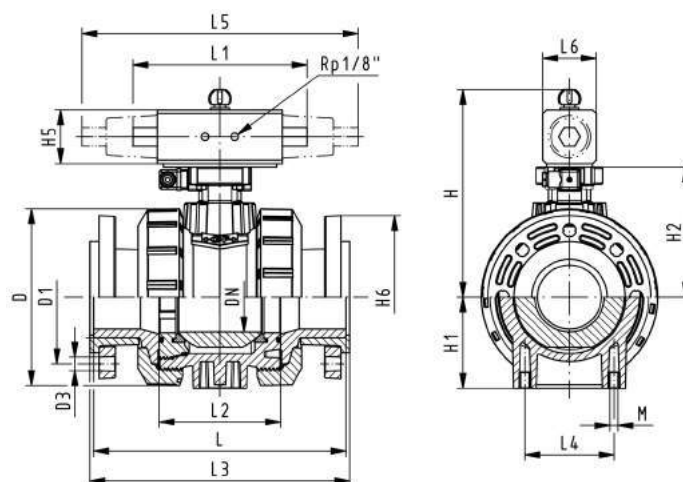
- Control time 90°<) 1-2 s
- Assignment of actuators: PA11 (DN10/15-25), PA21 (DN32-50), PA30 (DN65), PA40 (DN80), PA40 (DN100)
- For easy installation and removal
- Integrated stainless steel mounting inserts
- Overall length according to EN 558
- Connecting dimesnsion: ISO 7005, EN 1092, BS 4504, DIN 2501

Option:

- Individual configuration of the valve (see diagram)

d [mm]	DN [mm]	PN [bar]	kv-val- ue ($\Delta p=1$ bar) [l/min]	EPDM Code	SP	Weight [kg]	FPM Code	SP	Weight [kg]
75	65	10	5000	199 234 609	1	12.300	199 234 619	1	12.300
90	80	10	7000	199 234 610	1	15.800	199 234 620	1	15.800
110	100	10	11000	199 234 611	1	23.200	199 234 621	1	

d [mm]	D _m [mm]	H _{1m} [mm]	H _{1n} [mm]	H _{2n} [mm]	H _{5n} [mm]	H _{6n} [mm]	L _{1m} [mm]	L _{2n} [mm]	L _{3n} [mm]	L _{4n} [mm]	L _{5n} [mm]	L _{6n} [mm]
75												



PF 3 39 696 032

Ball valve type 230 PVC-C FO (Fail safe to open) Without manual override With solvent cement sockets metric

Model:

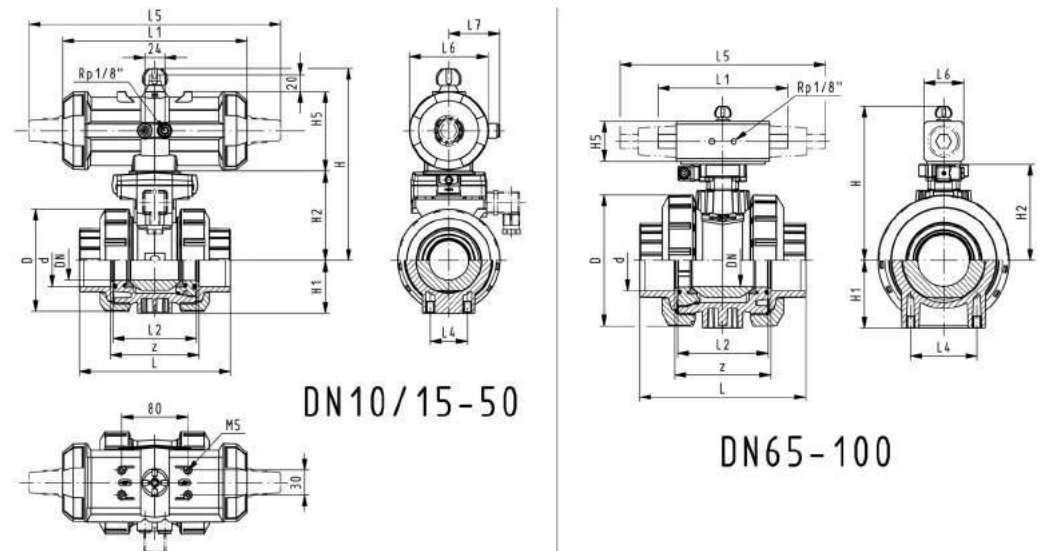
- Control time 90°<) 1-2 s
- Assignment of actuators: PA11 (DN10/15-25), PA21 (DN32-50), PA30 (DN65), PA40 (DN80), PA40 (DN100)
- For easy installation and removal
- Integrated stainless steel mounting inserts

Option:

- Individual configuration of the valve (see diagram)

d [mm]	DN [mm]	PN [bar]	kv-val- ue ($\Delta p=1$ bar) [l/min]	EPDM Code	SP	Weight [kg]	FPM Code	SP	Weight [kg]
16	10	10	70	199 230 562	1	1.159	199 230 572	1	1.159
20	15	10	185	199 230 563	1	1.159	199 230 573	1	1.159
25	20	10	350	199 230 564	1	1.276	199 230 574	1	
				199 230 565	1		199 230 575	1	
				199 230 566	1		199 230 576	1	
50				199 230 567	1		199 230 577	1	
				199 230 568	1		199 230 578	1	
				199 230 569	1		199 230 579	1	
				199 230 570	1		199 230 580	1	
				199 230 571	1		199 230 581	1	

d [mm]	D _m	H _{1m}	H _{1n}	H ₂	H ₅	L _{mm}	L _{1n}	L ₂	L ₄	L ₅	L ₆	L ₇	Z _{mm}	closest inch [inch]
16														3/8
20														1/2
25														3/4
32														
50														1/4
63														1/2
90														1/2



PF 3 39 696 032

Ball valve type 230 PVC-C FO (Fail safe to open) With manual override With solvent cement sockets metric

Model:

- Built on with pneumatic actuator PA11 (DN10/15-25), PA21 (DN32-50)
- Control time $90^\circ <$ 1-2 s
- For easy installation and removal
- Integrated stainless steel mounting inserts

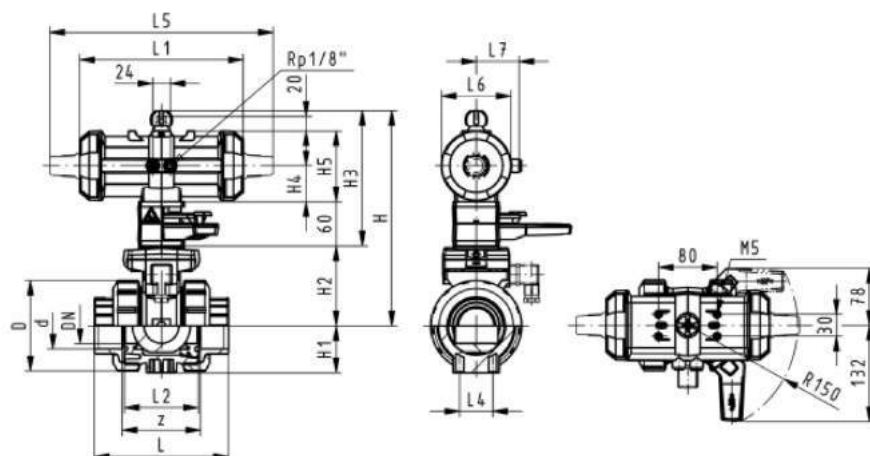
Option:

- Individual configuration of the valve (see diagram)

d [mm]	DN [mm]	PN [bar]	kv-val- ue ($\Delta p=1$ bar) [l/min]	EPDM Code	SP	Weight [kg]	FPM Code	SP	Weight [kg]
16	10	10	70	199 230 442	1	1.459	199 230 452	1	1.149
20	15	10	185	199 230 443	1	1.459	199 230 453	1	1.459
25	20	10	350	199 230 444	1	1.576	199 230 454	1	
				199 230 445	1		199 230 455	1	
				199 230 446	1		199 230 456	1	
				199 230 447	1		199 230 457	1	
				199 230 448	1		199 230 458	1	

d [mm]	D _m [mm]	H _m [mm]	H _{1n} [mm]	H _{2n} [mm]	H _{3n} [mm]	H _{4n} [mm]	H _{5n} [mm]	L _{nm} [mm]	L _{1n} [mm]	L _{2n} [mm]	L _{4n} [mm]	L _{5n} [mm]	L _{6n} [mm]	L _{7n} [mm]	Z _{nm} [mm]
16															

d _m [mm]	closest inch [inch]
16	3/4
20	1/2
25	3/4
32	
50	1/4
63	1/2



PF 3 39 696 032

Ball valve type 230 PVC-C FO (Fail safe to open) Without manual override With solvent cement spigots metric

Model:

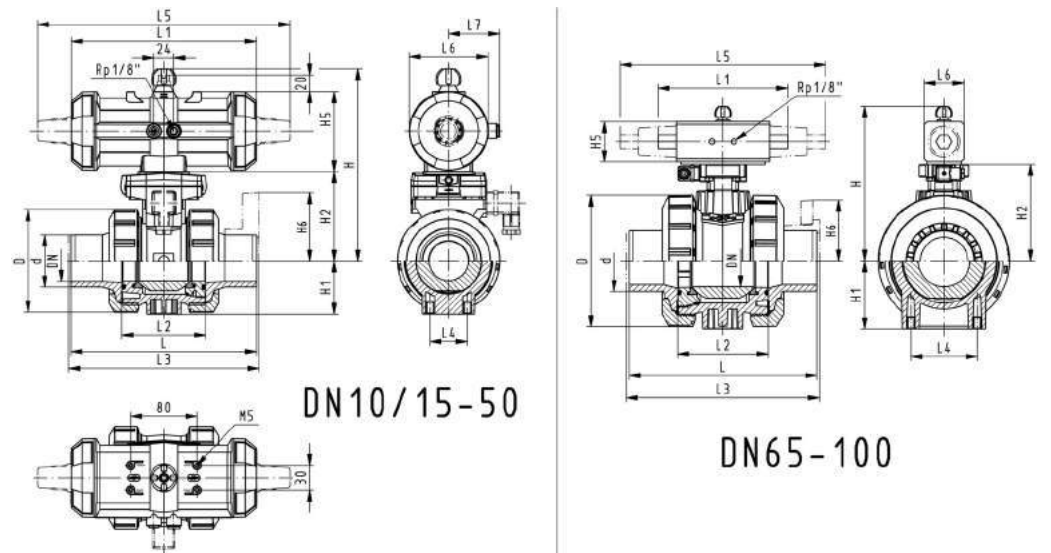
- Control time 90° < 1-2 s
- Assignment of actuators: PA11 (DN10/15-25), PA21 (DN32-50), PA30 (DN65), PA40 (DN80), PA40 (DN100)
- For easy installation and removal
- Integrated stainless steel mounting inserts

Option:

- Individual configuration of the valve (see diagram)

d [mm]	DN [mm]	PN [bar]	kv-val- ue (Δp=1 bar) [l/min]	EPDM Code	SP	Weight [kg]	FPM Code	SP	Weight [kg]
16	10	10	70	199 230 582	1	1.159	199 230 592	1	1.159
20	15	10	185	199 230 583	1	1.159	199 230 593	1	1.159
25	20	10	350	199 230 584	1	1.276	199 230 594	1	
50				199 230 585	1		199 230 595	1	
				199 230 586	1		199 230 596	1	
				199 230 587	1		199 230 597	1	
				199 230 588	1		199 230 598	1	
				199 230 589	1		199 230 599	1	
				199 230 590	1		199 230 600	1	
				199 230 591	1		199 230 601	1	

d [mm]	Øm	Hm	H1n	H2n	H5n	Ln	L1n	L2n	L3n	L4n	L5n	L6n	L7n	closest inch [inch]
16														3/8
20														1/2
25														3/4
32														
50														1/4
63														1/2
90														1/2



PF 3 39 696 032

Ball valve type 230 PVC-C FO (Fail safe to open) With manual override With solvent cement spigots metric

Model:

- Built on with pneumatic actuator PA11 (DN10/15-25), PA21 (DN32-50)
- Control time 90°<) 1-2 s
- For easy installation and removal
- Integrated stainless steel mounting inserts

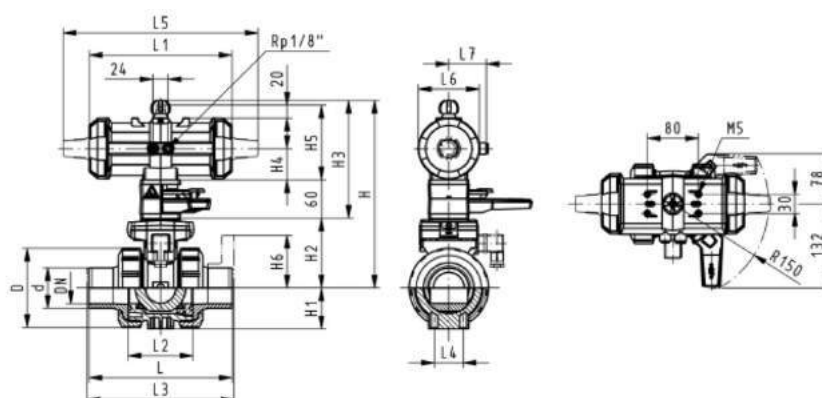
Option:

- Individual configuration of the valve (see diagram)

d [mm]	DN [mm]	PN [bar]	kv-val- ue ($\Delta p=1$ bar) [l/min]	EPDM Code	SP	Weight [kg]	FPM Code	SP	Weight [kg]
16	10	10	70	199 230 462	1	1.459	199 230 472	1	1.459
20	15	10	185	199 230 463	1	1.459	199 230 473	1	1.459
25	20	10	350	199 230 464	1	1.576	199 230 474	1	1.576
				199 230 465	1		199 230 475	1	
				199 230 466	1		199 230 476	1	
				199 230 467	1		199 230 477	1	
				199 230 468	1		199 230 478	1	

d [mm]	D _m [mm]	H _m [mm]	H _{1n} [mm]	H _{2n} [mm]	H _{3n} [mm]	H _{4n} [mm]	H _{5n} [mm]	L _m [mm]	L _{1n} [mm]	L _{2n} [mm]	L _{3n} [mm]	L _{4n} [mm]	L _{5n} [mm]	L _{6n} [mm]	L _{7n} [mm]
16															

d _m [mm]	closest inch [inch]
16	3/4
20	1/2
25	3/4
32	
50	1/4
63	1/2



PF 3 39 696 032

Ball valve type 230 PVC-C FO (Fail safe to open) Without manual override With threaded sockets Rp

Model:

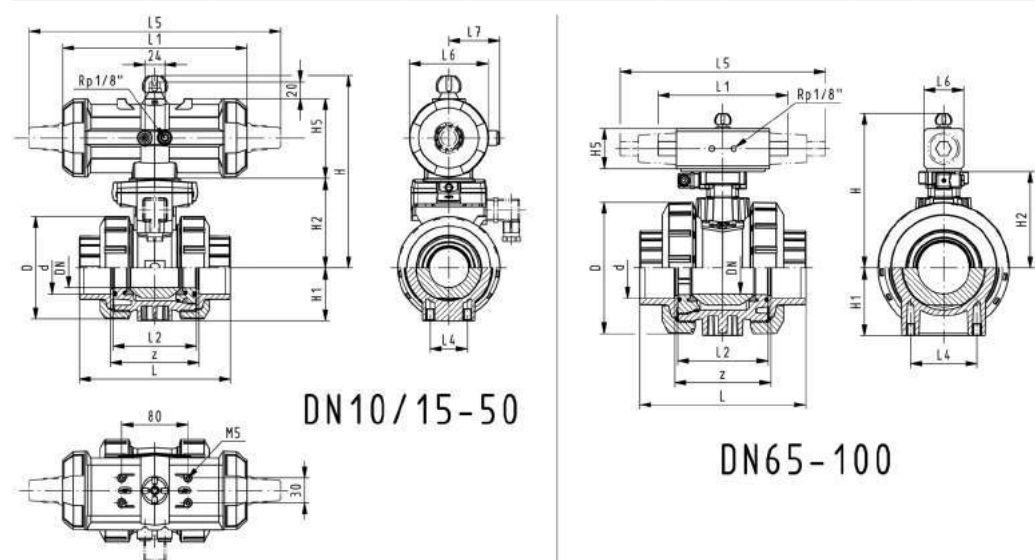
- Control time $90^\circ <$ 1-2 s
- Assignment of actuators: PA11 (DN10/15-25), PA21 (DN32-50), PA30 (DN65), PA40 (DN80), PA40 (DN100)
- For easy installation and removal
- Integrated stainless steel mounting inserts

Option:

- Individual configuration of the valve (see diagram)

Rp [inch]	DN [mm]	PN [bar]	kv-value ($\Delta p=1$ bar) [l/min]	EPDM Code	SP	Weight [kg]	FPM Code	SP	Weight [kg]
$\frac{3}{8}$	10	10	70	199 230 912	1	1.200	199 230 932	1	1.200
$\frac{1}{2}$	15	10	185	199 230 913	1	1.200	199 230 933	1	1.200
$\frac{3}{4}$	20	10	350	199 230 914	1	1.300	199 230 934	1	
				199 230 915	1		199 230 935	1	
$\frac{1}{4}$	32			199 230 916	1		199 230 936	1	
1 $\frac{1}{2}$	40			199 230 917	1		199 230 937	1	
				199 230 918	1		199 230 938	1	
$\frac{1}{2}$	65			199 230 919	1		199 230 939	1	
				199 230 920	1		199 230 940	1	
				199 230 921	1		199 230 941	1	

Rp [inch]	Dm	Hm	H1n	H2n	H5n	Lnm	L1n	L2n	L4n	L5n	L6n	L7n	Znm
$\frac{3}{8}$	50												
$\frac{1}{2}$	50												
$\frac{3}{4}$	58												
$\frac{1}{4}$	84												
1 $\frac{1}{2}$	97												
$\frac{1}{2}$	166												



PF 3 39 696 032

Ball valve type 230 PVC-C FO (Fail safe to open) With manual override With threaded sockets Rp

Model:

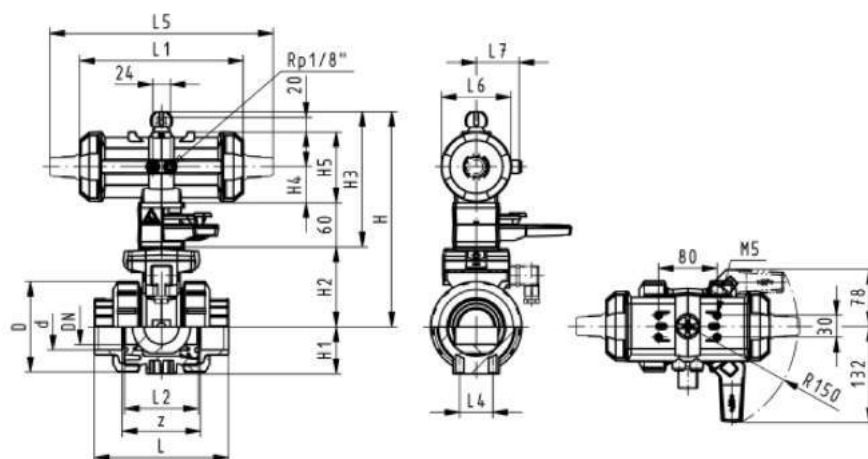
- Built on with pneumatic actuator PA11 (DN10/15-25), PA21 (DN32-50)
- Control time 90°<) 1-2 s
- For easy installation and removal
- Integrated stainless steel mounting inserts

Option:

- Individual configuration of the valve (see diagram)

Rp [inch]	DN [mm]	PN [bar]	kv-val- ue ($\Delta p=1$ bar) [l/min]	EPDM Code	SP	Weight [kg]	FPM Code	SP	Weight [kg]
3/8	10	10	70	199 230 792	1	1.500	199 230 812	1	1.500
1/2	15	10	185	199 230 793	1	1.500	199 230 813	1	1.500
3/4	20	10	350	199 230 794	1	1.600	199 230 814	1	
				199 230 795	1		199 230 815	1	
1/4	32			199 230 796	1		199 230 816	1	
1/2	40			199 230 797	1		199 230 817	1	
				199 230 798	1		199 230 818	1	

Rp [inch]	D ₁ [mm]	H ₁ [mm]	H ₁₁	H ₂	H ₂₁	H ₄	H ₅	L ₁ [mm]	L ₁₁	L ₂	L ₄	L ₅	L ₆	L ₇	Z ₁ [mm]
3/8	50														
1/2	50														
3/4	58														
1/4	84														
1/2	97														



PF 3 39 696 032

Ball valve type 230 PVC-C FO (Fail safe to open) Without manual override With backing flanges PP-st metric

Model:

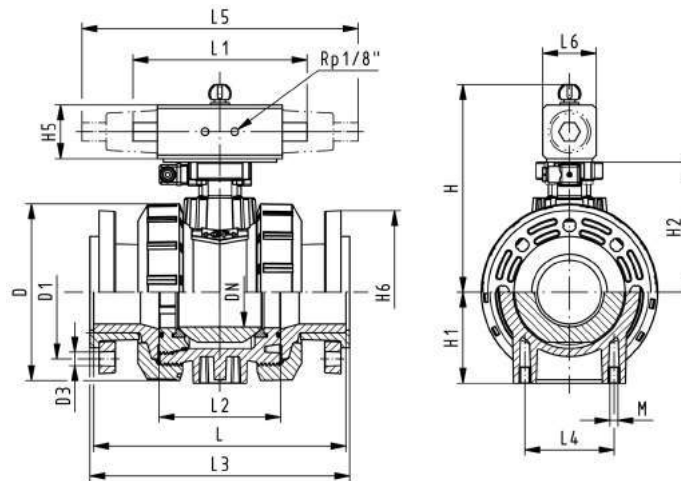
- Control time 90°<) 1-2 s
- Assignment of actuators: PA11 (DN10/15-25), PA21 (DN32-50), PA30 (DN65), PA40 (DN80), PA40 (DN100)
- For easy installation and removal
- Integrated stainless steel mounting inserts
- Overall length according to EN 558
- Connecting dimension: ISO 7005, EN 1092, BS 4504, DIN 2501

Option:

- Individual configuration of the valve (see diagram)

d [mm]	DN [mm]	PN [bar]	kv-value ($\Delta p=1$ bar) [l/min]	EPDM Code	SP	Weight [kg]	FPM Code	SP	Weight [kg]
75	65	10	5000	199 234 629	1	12.300	199 234 639	1	12.300
90	80	10	7000	199 234 630	1	15.800	199 234 640	1	15.800
110	100	10	11000	199 234 631	1	23.200	199 234 641	1	23.200

d [mm]	D ₁ [mm]	H ₁ [mm]	H _{1n} [mm]	H ₂ [mm]	H ₅ [mm]	H ₆ [mm]	L ₁ [mm]	L ₂ [mm]	L ₃ [mm]	L ₄ [mm]	L ₅ [mm]	L ₆ [mm]
75												



PF 3 39 696 032

Ball valve type 230 PVC-C DA (Double acting) Without manual override With solvent cement sockets metric

Model:

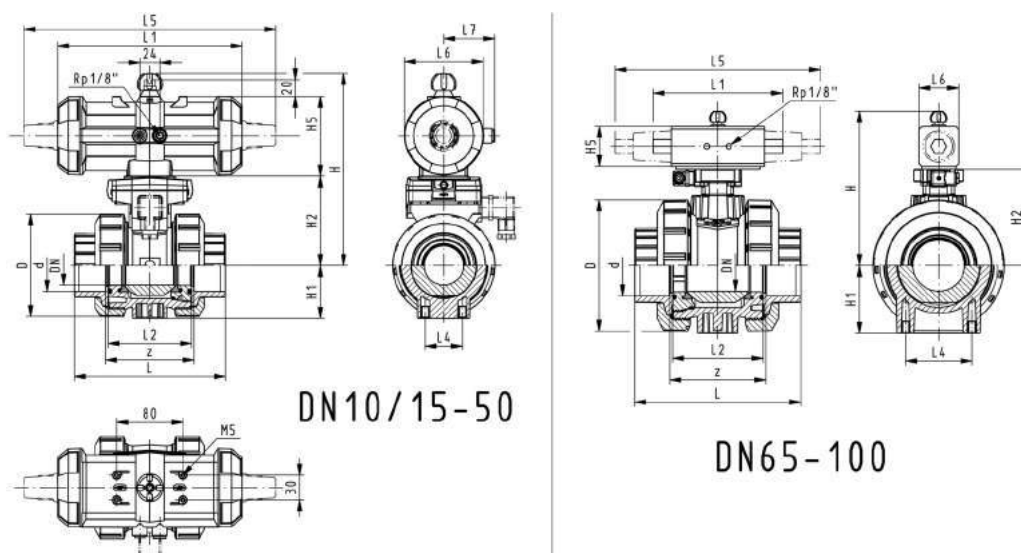
- Control time 90°<) 1-2 s
- Assignment of actuators: PA11 (DN10/15-25), PA21 (DN32-50), PA35 (DN65), PA40 (DN80), PA45 (DN100)
- For easy installation and removal
- Integrated stainless steel mounting inserts

Option:

- Individual configuration of the valve (see diagram)

d [mm]	DN [mm]	PN [bar]	kv-val- ue ($\Delta p=1$ bar) [l/min]	EPDM Code	SP	Weight [kg]	FPM Code	SP	Weight [kg]
16	10	10	70	199 230 602	1	1.159	199 230 612	1	1.159
20	15	10	185	199 230 603	1	1.159	199 230 613	1	1.159
25	20	10	350	199 230 604	1	1.276	199 230 614	1	
50				199 230 605	1		199 230 615	1	
				199 230 606	1		199 230 616	1	
				199 230 607	1		199 230 617	1	
				199 230 608	1		199 230 618	1	
				199 230 609	1		199 230 619	1	
				199 230 610	1		199 230 620	1	
				199 230 611	1		199 230 621	1	

d [mm]	D _m [mm]	H _m [mm]	H _{1n}	H _{2n}	H _{5n}	L _m [mm]	L _{1n}	L _{2n}	L _{4n}	L _{5n}	L _{6n}	L _{7n}	Z _m [mm]	closest inch [inch]
16														3/8
20														1/2
25														3/4
32														
50														1/4
63														1/2
90														1/2



PF 3 39 696 032

Ball valve type 230 PVC-C DA (Double acting) With manual override With solvent cement sockets metric

Model:

- Built on with pneumatic actuator PA11 (DN10/15-25), PA21 (DN32-50)
- Control time $90^\circ <$ 1-2 s
- For easy installation and removal
- Integrated stainless steel mounting inserts

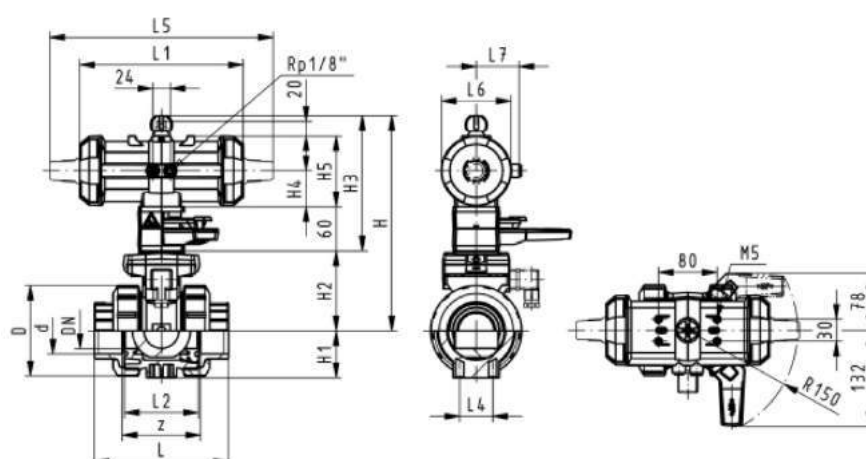
Option:

- Individual configuration of the valve (see diagram)

d [mm]	DN [mm]	PN [bar]	kv-val- ue ($\Delta p=1$ bar) [l/min]	EPDM Code	SP	Weight [kg]	FPM Code	SP	Weight [kg]
16	10	10	70	199 230 482	1	1.459	199 230 492	1	1.459
20	15	10	185	199 230 483	1	1.459	199 230 493	1	1.459
25	20	10	350	199 230 484	1	1.576	199 230 494	1	
				199 230 485	1		199 230 495	1	
				199 230 486	1		199 230 496	1	
				199 230 487	1		199 230 497	1	
				199 230 488	1		199 230 498	1	

d [mm]	D _m [mm]	H _{1m} [mm]	H _{1h} [mm]	H ₂ [mm]	H _{2h} [mm]	H ₄ [mm]	H ₅ [mm]	L _{0m} [mm]	L _{1m} [mm]	L ₂ [mm]	L ₄ [mm]	L ₅ [mm]	L ₆ [mm]	L ₇ [mm]	Z _m [mm]
16															

d _m [mm]	closest inch [inch]
16	3/8
20	1/2
25	3/4
32	
50	1/4
63	1/2



PF 3 39 696 032

Ball valve type 230 PVC-C DA (Double acting) Without manual override With solvent cement spigots metric

Model:

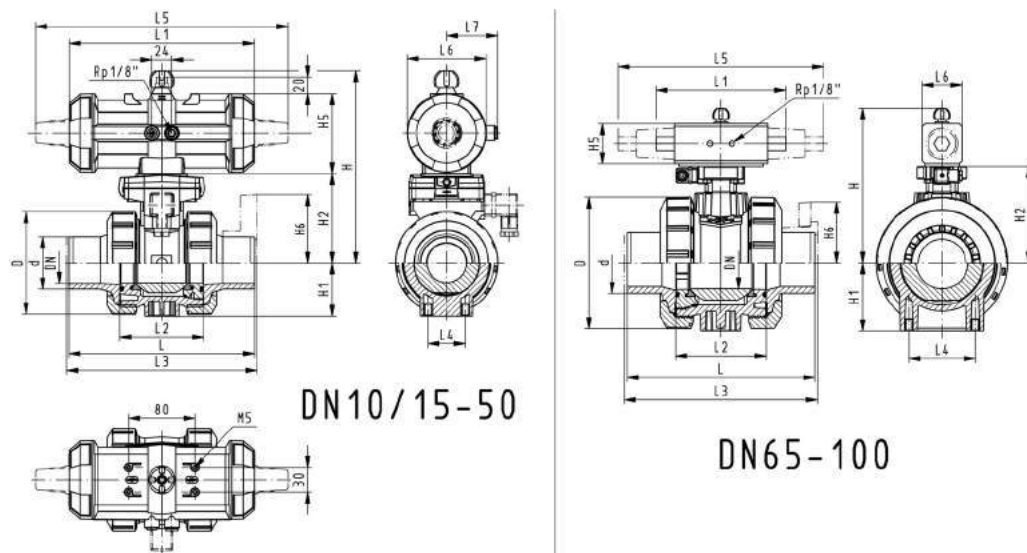
- Control time 90°<) 1-2 s
- Assignment of actuators: PA11 (DN10/15-25), PA21 (DN32-50), PA35 (DN65), PA40 (DN80), PA45 (DN100)
- For easy installation and removal
- Integrated stainless steel mounting inserts

Option:

- Individual configuration of the valve (see diagram)

d [mm]	DN [mm]	PN [bar]	kv-val- ue ($\Delta p=1$ bar) [l/min]	EPDM Code	SP	Weight [kg]	FPM Code	SP	Weight [kg]
16	10	10	70	199 230 622	1	1.159	199 230 632	1	1.159
20	15	10	185	199 230 623	1	1.159	199 230 633	1	1.159
25	20	10	350	199 230 624	1	1.276	199 230 634	1	
				199 230 625	1		199 230 635	1	
				199 230 626	1		199 230 636	1	
50				199 230 627	1		199 230 637	1	
				199 230 628	1		199 230 638	1	
				199 230 629	1		199 230 639	1	
				199 230 630	1		199 230 640	1	
				199 230 631	1		199 230 641	1	

d [mm]	D _m [mm]	H _m [mm]	H _{1n}	H _{2n}	H _{5n}	L _m [mm]	L _{1n}	L _{2n}	L _{3n}	L _{4n}	L _{5n}	L _{6n}	L _{7n}	closest inch [inch]
16														3/8
20														1/2
25														3/4
32														
50														1/4
63														1/2
90														1/2



PF 3 39 696 032

Ball valve type 230 PVC-C DA (Double acting) With manual override With solvent cement spigots metric

Model:

- Built on with pneumatic actuator PA11 (DN10/15-25), PA21 (DN32-50)
- Control time 90°<) 1-2 s
- For easy installation and removal
- Integrated stainless steel mounting inserts

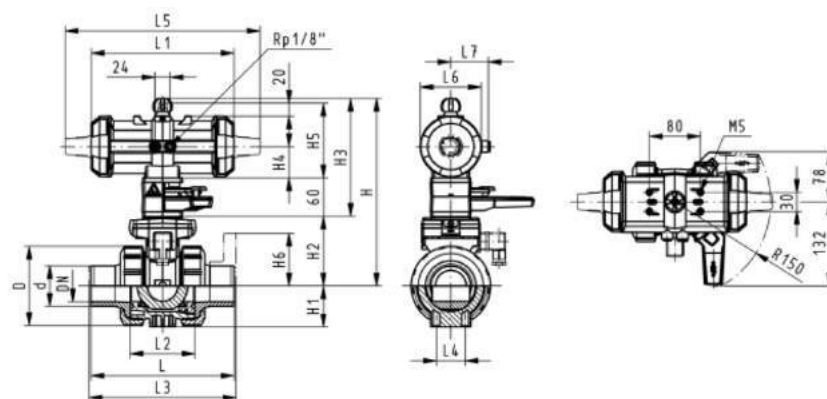
Option:

- Individual configuration of the valve (see diagram)

d [mm]	DN [mm]	PN [bar]	kv-value (Δp=1 bar) [l/min]	EPDM Code	SP	Weight [kg]	FPM Code	SP	Weight [kg]
16	10	10	70	199 230 502	1	1.459	199 230 512	1	1.459
20	15	10	185	199 230 503	1	1.459	199 230 513	1	1.459
25	20	10	350	199 230 504	1	1.576	199 230 514	1	
				199 230 505	1		199 230 515	1	
				199 230 506	1		199 230 516	1	
				199 230 507	1		199 230 517	1	
				199 230 508	1		199 230 518	1	

d [mm]	l ₁ [mm]	l ₂ [mm]	l ₃ [mm]	l ₄ [mm]	l ₅ [mm]	l ₆ [mm]	l ₇ [mm]	l ₈ [mm]	l ₉ [mm]	l ₁₀ [mm]	l ₁₁ [mm]	l ₁₂ [mm]	l ₁₃ [mm]	l ₁₄ [mm]	l ₁₅ [mm]
16															

Ømm]	closest inch [inch]
16	3/8
20	1/2
25	3/4
32	
50	1/4
63	1/2



PF 3 39 696 032

Ball valve type 230 PVC-C DA (Double acting) Without manual override With threaded sockets Rp

Model:

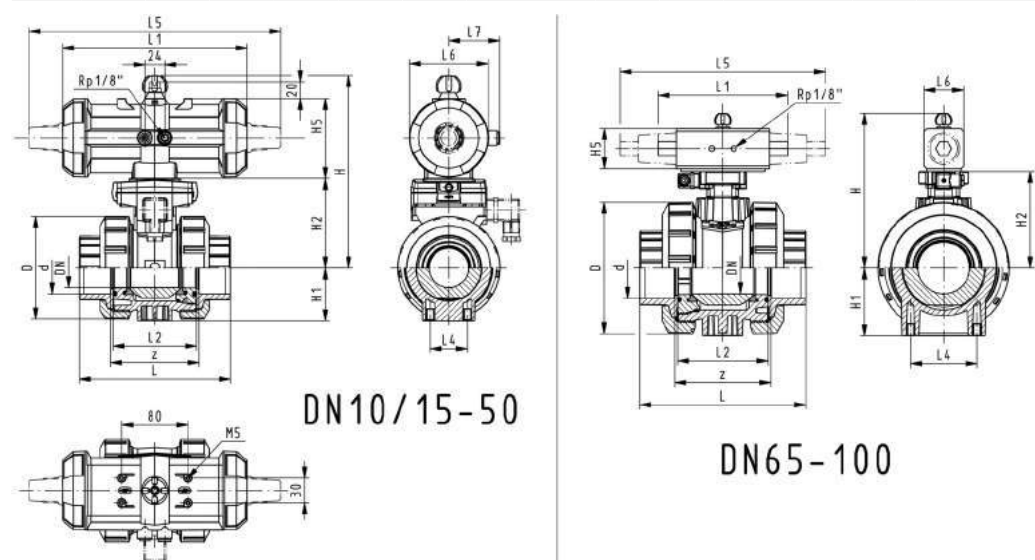
- Control time $90^\circ <$ 1-2 s
- Assignment of actuators: PA11 (DN10/15-25), PA21 (DN32-50), PA35 (DN65), PA40 (DN80), PA45 (DN100)
- For easy installation and removal
- Integrated stainless steel mounting inserts

Option:

- Individual configuration of the valve (see diagram)

Rp [inch]	DN [mm]	PN [bar]	kv-val- ue ($\Delta p=1$ bar) [l/min]	EPDM Code	SP	Weight [kg]	FPM Code	SP	Weight [kg]
3/8	10	10	70	199 230 942	1	1.200	199 230 952	1	1.200
1/2	15	10	185	199 230 943	1	1.200	199 230 953	1	1.200
3/4	20	10	350	199 230 944	1	1.300	199 230 954	1	
				199 230 945	1		199 230 955	1	
1/4	32			199 230 946	1		199 230 956	1	
1 1/2	40			199 230 947	1		199 230 957	1	
				199 230 948	1		199 230 958	1	
1/2	65			199 230 949	1		199 230 959	1	
				199 230 950	1		199 230 960	1	
				199 230 951	1		199 230 961	1	

Rp [inch]	Dm	Hm	H1n	H2n	H5n	Lmm	L1n	L2n	L4n	L5n	L6n	L7n	Zmm
3/8	50												
1/2	50												
3/4	58												
1/4	84												
1 1/2	97												
1/2	166												



PF 3 39 696 032

Ball valve type 230 PVC-C DA (Double acting) With manual override With threaded sockets Rp

Model:

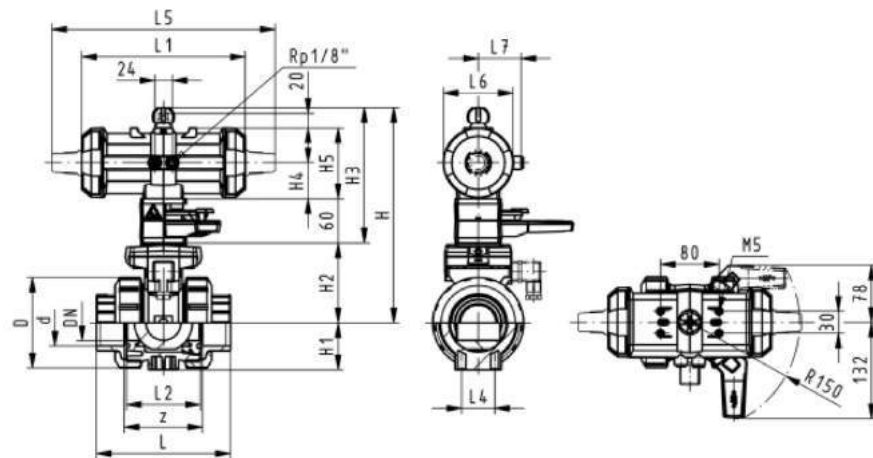
- Built on with pneumatic actuator PA11 (DN10/15-25), PA21 (DN32-50)
- Control time $90^\circ <$ 1-2 s
- For easy installation and removal
- Integrated stainless steel mounting inserts

Option:

- Individual configuration of the valve (see diagram)

Rp [inch]	DN [mm]	PN [bar]	kv-value ($\Delta p=1$ bar) [l/min]	EPDM Code	SP	Weight [kg]	FPM Code	SP	Weight [kg]
3/8	10	10	70	199 230 832	1	1.500	199 230 852	1	1.500
1/2	15	10	185	199 230 833	1	1.500	199 230 853	1	1.500
3/4	20	10	350	199 230 834	1	1.600	199 230 854	1	
				199 230 835	1		199 230 855	1	
1/4	32			199 230 836	1		199 230 856	1	
1/2	40			199 230 837	1		199 230 857	1	
				199 230 838	1		199 230 858	1	

Rp [inch]	Φ m]	Hm]	H1]	H2]	H3]	H4]	H5]	Lmm]	L1]	L2]	L4]	L5]	L6]	L7]	Φ m]
3/8	50														
1/2	50														
3/4	58														
1/4	84														
1/2	97														



PF 3 39 696 032

Ball valve type 230 PVC-C DA (Double acting) Without manual override With backing flanges PP-st metric

Model:

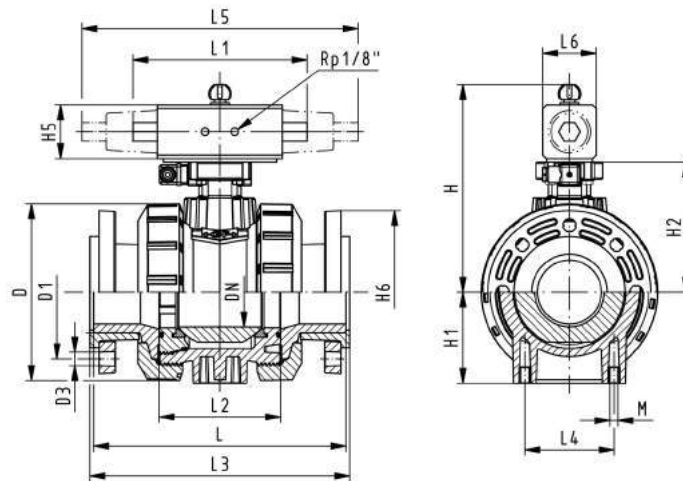
- Control time 90°<) 1-2 s
- Assignment of actuators: PA11 (DN10/15-25), PA21 (DN32-50), PA35 (DN65), PA40 (DN80), PA45 (DN100)
- For easy installation and removal
- Integrated stainless steel mounting inserts
- Overall length according to EN 558
- Connecting dimension: ISO 7005, EN 1092, BS 4504, DIN 2501

Option:

- Individual configuration of the valve (see diagram)

d [mm]	DN [mm]	PN [bar]	kv-value ($\Delta p=1$ bar) [l/min]	EPDM Code	SP	Weight [kg]	FPM Code	SP	Weight [kg]
75	65	10	5000	199 234 649	1	11.100	199 234 659	1	11.100
90	80	10	7000	199 234 650	1	15.100	199 234 660	1	15.100
110	100	10	11000	199 234 651	1	21.500	199 234 661	1	

d [mm]	D _m [mm]	H _{1m} [mm]	H _{1n} [mm]	H _{2n} [mm]	H _{5n} [mm]	H _{6n} [mm]	L _{1m} [mm]	L _{1n} [mm]	L _{2n} [mm]	L _{3n} [mm]	L _{4n} [mm]	L _{6n} [mm]
75												



PF 3 39 696 032

285

3-Way ball valve type 285 PVC-C Horizontal/T-port Without manual override With solvent cement sockets metric

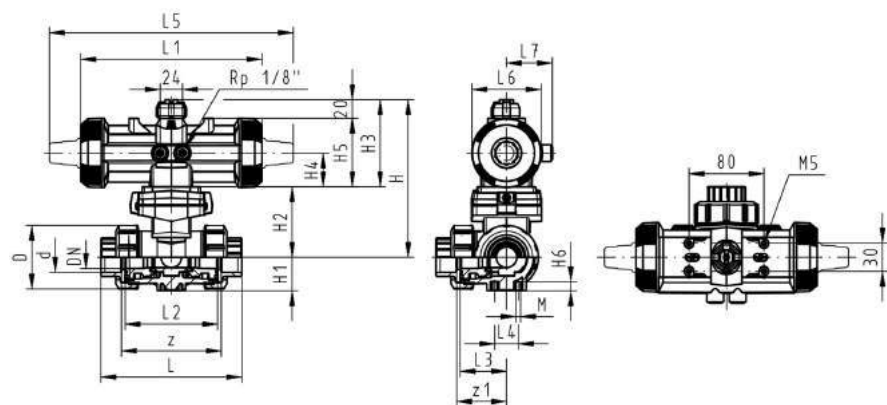
Model:

- Built on with pneumatic actuator PA11 (DN10/15-25), PA21 (DN32-50)
- Actuator fails safe to the closed position FC
- Basic position B-C opened, activated position A-B-C opened, see flow scheme
- Control time 90°<) 1-3 s
- For easy installation and removal
- Integrated stainless steel mounting inserts

d [mm]	DN [mm]	PN [bar]	kv-val- ue (Δp=1 bar) [l/min]	EPDM Code	SP	Weight [kg]	FPM Code	SP	Weight [kg]
16	10	10	140	199 285 142	1	1.135	199 285 152	1	1.135
20	15	10	200	199 285 143	1	1.141	199 285 153	1	1.141
25	20	10	470	199 285 144	1	1.278	199 285 154	1	
				199 285 145	1		199 285 155	1	
				199 285 146	1		199 285 156	1	
				199 285 147	1		199 285 157	1	
				199 285 148	1		199 285 158	1	

d [mm]	D ₁ [mm]	H ₁ [mm]	H ₁₁ [mm]	H ₂ [mm]	H ₃ [mm]	H ₄ [mm]	H ₅ [mm]	H ₆ [mm]	L ₀₁ [mm]	L ₁₁ [mm]	L ₂ [mm]	L ₃ [mm]	L ₄ [mm]	L ₅ [mm]	L ₆ [mm]
16															

Ø _h [mm]	L ₇ [mm]	M	[mm]	z ₁ [mm]	closest inch [inch]
16					3/8
20					1/2
25					3/4
32					
50					1/4
63					1/2



PF 3 39 981 032

3-Way ball valve type 285 PVC-C Horizontal/T-port Without manual override With solvent cement pigots metric

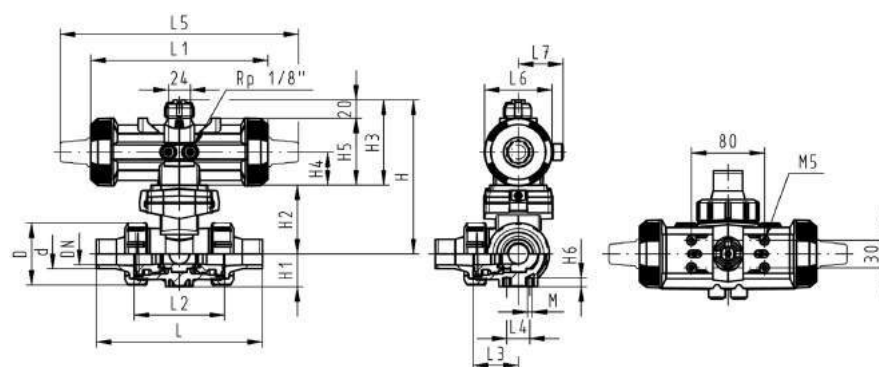
Model:

- Built on with pneumatic actuator PA11 (DN10/15-25), PA21 (DN32-50)
- Actuator fails safe to the closed position FC
- Basic position B-C opened, activated position A-B-C opened, see flow scheme
- Control time $90^\circ <$ 1-3 s
- For easy installation and removal
- Integrated stainless steel mounting inserts

d [mm]	DN [mm]	PN [bar]	kv-value ($\Delta p=1$ bar) [l/min]	EPDM Code	SP	Weight [kg]	FPM Code	SP	Weight [kg]
16	10	10	140	199 285 122	1	1.141	199 285 132	1	1.141
20	15	10	200	199 285 123	1	1.151	199 285 133	1	1.151
25	20	10	470	199 285 124	1	1.294	199 285 134	1	
				199 285 125	1		199 285 135	1	
				199 285 126	1		199 285 136	1	
				199 285 127	1		199 285 137	1	
				199 285 128	1		199 285 138	1	

d [mm]	D _m [mm]	H _m [mm]	H _{1n}	H _{2n}	H _{3n}	H _{4n}	H _{5n}	H _{6n}	L _m [mm]	L _{1n}	L _{2n}	L _{3n}	L _{4n}	L _{5n}	L _{6n}
16															

d _h [mm]	L _{7n}	M	[inch]
16			3/8
20			1/2
25			3/4
32			
50			1/4
63			1/2



PF 3 39 981 032

3-Way ball valve type 285 PVC-C Horizontal/T-port DA (Double acting) Without manual override With solvent cement sockets metric

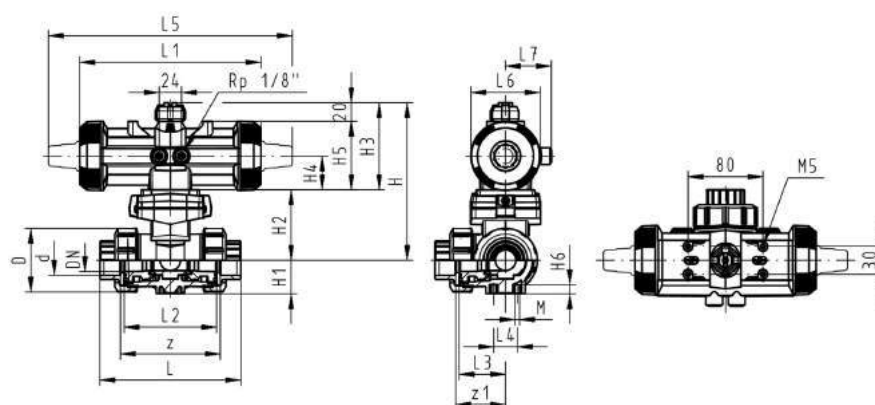
Model:

- Built on with pneumatic actuator PA11 (DN10/15-25), PA21 (DN32-50)
- Basic position A-B-C opened, activated position B-C opened, see flow scheme
- Control time $90^\circ <$ 1-3 s
- For easy installation and removal
- Integrated stainless steel mounting inserts

d [mm]	DN [mm]	PN [bar]	kv-val- ue ($\Delta p=1$ bar) [l/min]	EPDM Code	SP	Weight [kg]	FPM Code	SP	Weight [kg]
16	10	10	140	199 285 322	1	0.944	199 285 332	1	0.944
20	15	10	200	199 285 323	1	0.951	199 285 333	1	0.951
25	20	10	470	199 285 324	1	1.088	199 285 334	1	
				199 285 325	1		199 285 335	1	
				199 285 326	1		199 285 336	1	
				199 285 327	1		199 285 337	1	
				199 285 328	1		199 285 338	1	

d [mm]	D ₁ [mm]	H ₁ [mm]	H ₁₁ [mm]	H ₂ [mm]	H ₃ [mm]	H ₄ [mm]	H ₅ [mm]	H ₆ [mm]	L ₁ [mm]	L ₂ [mm]	L ₃ [mm]	L ₄ [mm]	L ₅ [mm]	L ₆ [mm]
16														

d _h [mm]	L ₇ [mm]	M	[mm]	z ₁ [mm]	closest inch [inch]
16					3/8
20					1/2
25					3/4
32					
50					1/4
63					1/2



PF 3 39 981 032

3-Way ball valve type 285 PVC-C Horizontal/T-port DA (Double acting) Without manual override With solvent cement pigots metric

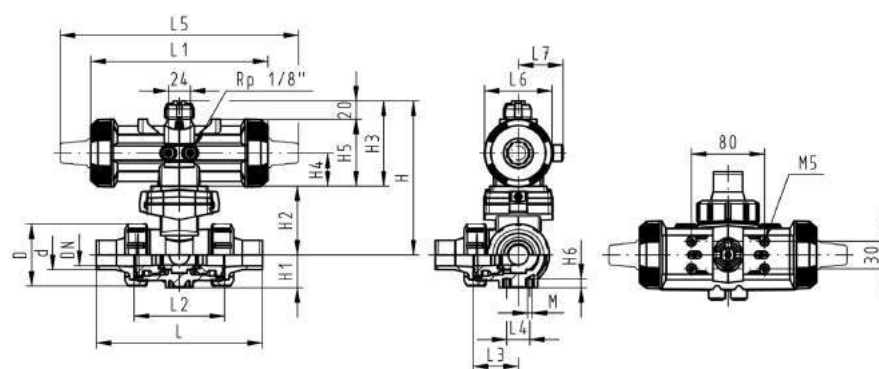
Model:

- Built on with pneumatic actuator PA11 (DN10/15-25), PA21 (DN32-50)
- Basic position A-B-C opened, activated position B-C opened, see flow scheme
- Control time 90°<) 1-3 s
- For easy installation and removal
- Integrated stainless steel mounting inserts

d [mm]	DN [mm]	PN [bar]	kv-value (Δp=1 bar) [l/min]	EPDM Code	SP	Weight [kg]	FPM Code	SP	Weight [kg]
16	10	10	140	199 285 302	1	0.951	199 285 312	1	0.951
20	15	10	200	199 285 303	1	0.961	199 285 313	1	0.961
25	20	10	470	199 285 304	1	1.104	199 285 314	1	
				199 285 305	1		199 285 315	1	
				199 285 306	1		199 285 316	1	
				199 285 307	1		199 285 317	1	
				199 285 308	1		199 285 318	1	

d [mm]	l ₁ [mm]	l ₂ [mm]	l ₃ [mm]	l ₄ [mm]	l ₅ [mm]	l ₆ [mm]	l ₇ [mm]	l ₈ [mm]	l ₉ [mm]	l ₁₀ [mm]	l ₁₁ [mm]	l ₁₂ [mm]	l ₁₃ [mm]	l ₁₄ [mm]	l ₁₅ [mm]	l ₁₆ [mm]	
16																	

l ₁₇ [mm]	M	[inch]
16		3/8
20		1/2
25		3/4
32		
50		1/4
63		1/2



PF 3 39 981 032

3-Way ball valve type 285 PVC-C Horizontal/L-port Without manual override With solvent cement sockets metric

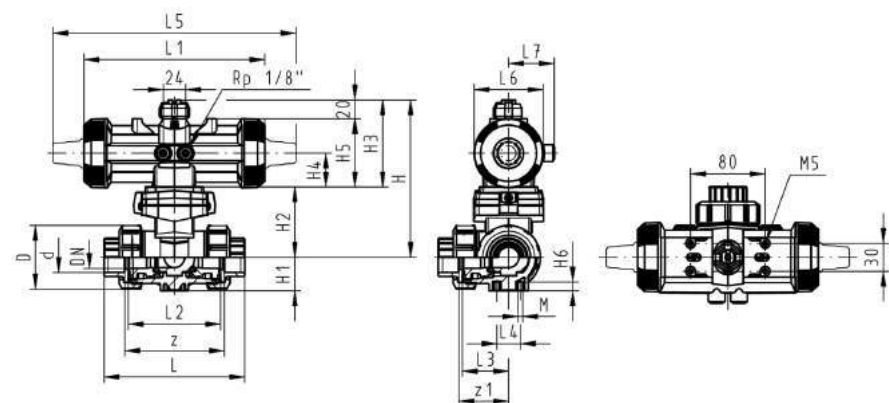
Model:

- Built on with pneumatic actuator PA11 (DN10/15-25), PA21 (DN32-50)
- Actuator fails safe to the closed position FC
- Basic position B-C opened, activated position A-C opened, see flow scheme
- Control time 90°<) 1-3 s
- For easy installation and removal
- Integrated stainless steel mounting inserts

d [mm]	DN [mm]	PN [bar]	kv-value (Δp=1 bar) [l/min]	EPDM Code	SP	Weight [kg]	FPM Code	SP	Weight [kg]
16	10	10	50	199 285 102	1	1.136	199 285 112	1	1.136
20	15	10	75	199 285 103	1	1.142	199 285 113	1	1.142
25	20	10	150	199 285 104	1	1.280	199 285 114	1	
				199 285 105	1		199 285 115	1	
				199 285 106	1		199 285 116	1	
				199 285 107	1		199 285 117	1	
				199 285 108	1		199 285 118	1	

d [mm]	l ₁ [mm]	l ₂ [mm]	l ₃ [mm]	l ₄ [mm]	l ₅ [mm]	l ₆ [mm]	l ₇ [mm]	l ₈ [mm]	l ₉ [mm]	l ₁₀ [mm]	l ₁₁ [mm]	l ₁₂ [mm]	l ₁₃ [mm]	l ₁₄ [mm]	l ₁₅ [mm]	
16																

dn [mm]	l ₇ [mm]	M	z [mm]	z ₁ [mm]	closest inch [inch]
16					3/8
20					1/2
25					3/4
32					
50					1/4
63					1/2



PF 3 39 981 032

3-Way ball valve type 285 PVC-C Horizontal/L-port Without manual override With solvent cement pigots metric

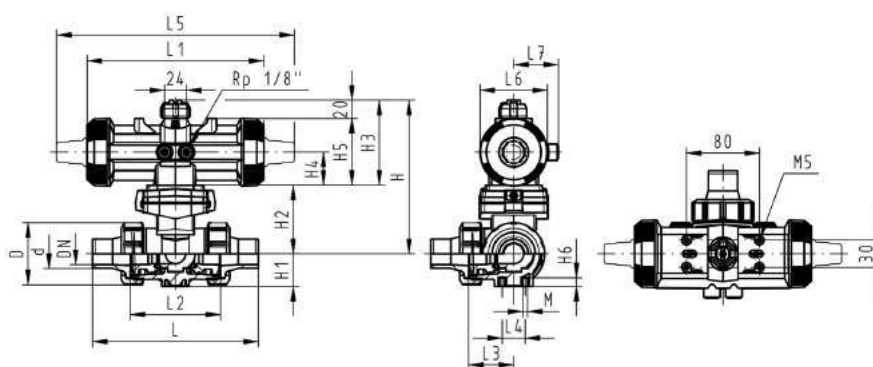
Model:

- Built on with pneumatic actuator PA11 (DN10/15-25), PA21 (DN32-50)
- Actuator fails safe to the closed position FC
- Basic position B-C opened, activated position A-C opened, see flow scheme
- Control time 90°<) 1-3 s
- For easy installation and removal
- Integrated stainless steel mounting inserts

d [mm]	DN [mm]	PN [bar]	kv-value ($\Delta p=1$ bar) [l/min]	EPDM Code	SP	Weight [kg]	FPM Code	SP	Weight [kg]
16	10	10	50	199 285 082	1	1.142	199 285 092	1	1.142
20	15	10	75	199 285 083	1	1.152	199 285 093	1	1.152
25	20	10	150	199 285 084	1	1.296	199 285 094	1	
				199 285 085	1		199 285 095	1	
				199 285 086	1		199 285 096	1	
				199 285 087	1		199 285 097	1	
				199 285 088	1		199 285 098	1	

d [mm]	D _m [mm]	H _m [mm]	H _{1n}	H _{2n}	H _{3n}	H _{4n}	H _{5n}	H _{6n}	L _m [mm]	L _{1n}	L _{2n}	L _{3n}	L _{4n}	L _{5n}	L _{6n}
16															

Øh _m [mm]	L _{7n} [mm]	M	[inch]
16			3/8
20			1/2
25			3/4
32			
50			1/4
63			1/2



PF 3 39 981 032

3-Way ball valve type 285 PVC-C Horizontal/L-port DA (Double acting) Without manual override With solvent cement sockets metric

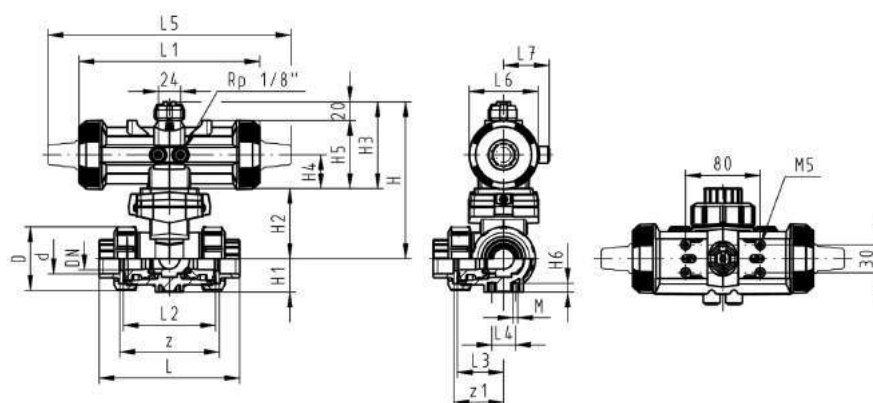
Model:

- Built on with pneumatic actuator PA11 (DN10/15-25), PA21 (DN32-50)
- Basic position A-C opened, activated position B-C opened, see flow scheme
- Control time $90^\circ <$) 1-3 s
- For easy installation and removal
- Integrated stainless steel mounting inserts

d [mm]	DN [mm]	PN [bar]	kv-val- ue ($\Delta p=1$ bar) [l/min]	EPDM Code	SP	Weight [kg]	FPM Code	SP	Weight [kg]
16	10	10	50	199 285 282	1	0.945	199 285 292	1	0.945
20	15	10	75	199 285 283	1	0.952	199 285 293	1	0.952
25	20	10	150	199 285 284	1	1.090	199 285 294	1	
				199 285 285	1		199 285 295	1	
				199 285 286	1		199 285 296	1	
				199 285 287	1		199 285 297	1	
				199 285 288	1		199 285 298	1	

d [mm]	D ₁ [mm]	H ₁ [mm]	H ₁₁ [mm]	H ₂ [mm]	H ₃ [mm]	H ₄ [mm]	H ₅ [mm]	H ₆ [mm]	L ₁ [mm]	L ₂ [mm]	L ₃ [mm]	L ₄ [mm]	L ₅ [mm]	L ₆ [mm]
16														

d _h [mm]	L ₇ [mm]	M	[mm]	z ₁ [mm]	closest inch [inch]
16					3/8
20					1/2
25					3/4
32					
50					1/4
63					1/2



PF 3 39 981 032

3-Way ball valve type 285 PVC-C Horizontal/L-port DA (Double acting) Without manual override With solvent cement pigots metric

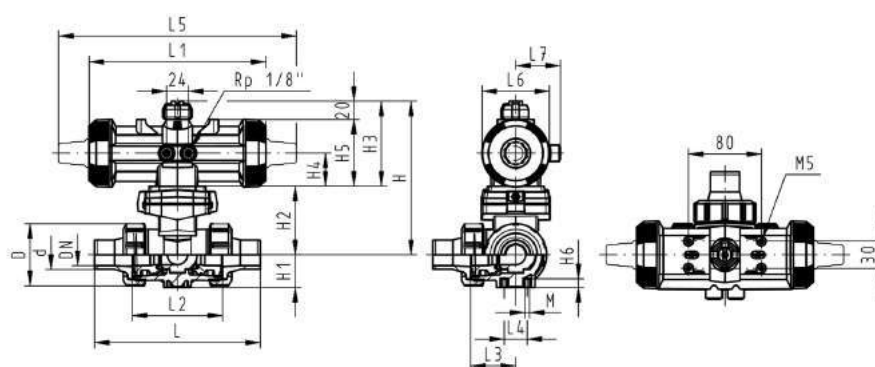
Model:

- Built on with pneumatic actuator PA11 (DN10/15-25), PA21 (DN32-50)
- Basic position A-C opened, activated position B-C opened, see flow scheme
- Control time 90°< 1-3 s
- For easy installation and removal
- Integrated stainless steel mounting inserts

d [mm]	DN [mm]	PN [bar]	kv-value ($\Delta p=1$ bar) [l/min]	EPDM Code	SP	Weight [kg]	FPM Code	SP	Weight [kg]
16	10	10	50	199 285 262	1	0.952	199 285 272	1	0.952
20	15	10	75	199 285 263	1	0.962	199 285 273	1	0.962
25	20	10	150	199 285 264	1	1.106	199 285 274	1	
				199 285 265	1		199 285 275	1	
				199 285 266	1		199 285 276	1	
				199 285 267	1		199 285 277	1	
				199 285 268	1		199 285 278	1	

d [mm]	D _m [mm]	H _m [mm]	H _{1n}	H _{2n}	H _{3n}	H _{4n}	H _{5n}	H _{6n}	L _{0n} [mm]	L _{1n}	L _{2n}	L _{3n}	L _{4n}	L _{5n}	L _{6n}
16															

ø _h [mm]	L _{7n}	M	[inch]
16			3/8
20			1/2
25			3/4
32			
50			1/4
63			1/2



PF 3 39 981 032

Diaphragm valves pneumatic New generation

Diaphragm valve DIASTAR Six PVC-C FC (Fail safe to close) Unions with solvent cement sockets metric

Model:

- Double flow rate compared to predecessor
- One housing nut replaces four screws
- Rotating air connection at 90° intervals
- For easy installation and removal
- Short overall length

Option:

- Individual configuration of the valve (see diagram)

d [mm]	DN [mm]	PN [bar]	kv-val- ue ($\Delta p=1$ bar) [l/min]	EPDM Code	SP	Weight [kg]							
20	15	6	125	163 614 012	1	0.577							
25	20	6	271	163 614 013	1	1.067							
32	25	6	481	163 614 014	1	1.302							
40	32	6	759	163 614 015	1	2.152							
50	40	6	960	163 614 016 163 614 017	1								

d [mm]	D ₁ [mm]	D ₁ G [mm]	H ₁ [mm]	H ₁ [mm]	H ₂ [mm]	H ₃ [mm]	H ₇ [mm]	L ₁ [mm]	L ₂ [mm]	M	[mm]	Lift = H _x [mm]	closest inch [inch]
20		1/8	101										1/2
25		1/8	132										3/4
32		1/8	143										
		1/8	173										1/4
50		1/8	193										1/2
63		1/8	205										

PF 3 39 212 201

Diaphragm valve DIASTAR Six PVC-C FC (Fail safe to close) With solvent cement spigots metric

Model:

- Double flow rate compared to predecessor
- One housing nut replaces four screws
- Rotating air connection at 90° intervals
- Overall length EN 558

Option:

- Individual configuration of the valve (see diagram)

d [mm]	DN [mm]	PN [bar]	kv-value ($\Delta p=1$ bar) [l/min]	EPDM Code	SP	Weight [kg]
20	15	6	125	163 615 012	1	0.462
25	20	6	271	163 615 013	1	0.978
32	25	6	481	163 615 014	1	1.166
40	32	6	759	163 615 015	1	1.908
50	40	6	960	163 615 016	1	
				163 615 017	1	



d [mm]	D _m [mm]	D ₁ _G	H _m	H ₁	H ₂	H ₃	H ₇	L _m	L ₂	M	closest inch [mm]
20		1/8	101								1/2
25		1/8	132								3/4
32		1/8	143								
		1/8	173								1/4
50		1/8	193								1/2
63		1/8	205								

PF 3 39 212 201

Diaphragm valve DIASTAR Six PVC-C FC (Fail safe to close) With backing flanges PP-V metric/BS

Model:

- Double flow rate compared to predecessor
- One housing nut replaces four screws
- Rotating air connection at 90° intervals
- Flat sealing faces
- Overall length EN 558
- Connecting dimension: ISO 7005 PN 10, EN 1092 PN 10, DIN 2501 PN 10, BS 4504 PN 10

Option:

- Individual configuration of the valve (see diagram)

d [mm]	DN [mm]	PN [bar]	kv-val- ue ($\Delta p=1$ bar) [l/min]	EPDM Code	SP	Weight [kg]
20	15	6	125	163 617 112	1	0.696
25	20	6	271	163 617 113	1	1.215
32	25	6	481	163 617 114	1	1.502
40	32	6	759	163 617 115	1	2.436
50	40	6	960	163 617 116 163 617 117	1 1	

d [mm]	D _{1h} [mm]	D _{1h} G [mm]	D _{3h} [mm]	D _{4h} [mm]	D _{5h} [mm]	H _{1h} [mm]	H _{1h} [mm]	H _{2h} [mm]	H _{3h} [mm]	H _{7h} [mm]	L _{1h} [mm]	L _{2h} [mm]	M [mm]
20		1/8	95										
		1/8	105										
		1/8	115										
		1/8	140										
		1/8	150										
		1/8	165										

d _h [mm]	closest inch [inch]
20	1/2
25	3/4
32	1/4
50	1/2
63	

PF 3 39 212 201

Diaphragm valve DIASTAR Ten PVC-C FC (Fail safe to close) Unions with solvent cement sockets metric

Model:

- Double flow rate compared to predecessor
- One housing nut replaces four screws
- Rotating air connection at 90° intervals
- For easy installation and removal
- Short overall length

Option:

- Individual configuration of the valve (see diagram)
- Comprehensive range of accessories available

* PN: PTFE

Working Pressure: **one side**

d [mm]	DN [mm]	PN [psi]	PN* [bar]	kv-value (Δp=1 bar) [l/min]	EPDM Code	SP	Weight [kg]
20	15	150/150*	10/10*	125	163 624 012	1	0.572
25	20	150/150*	10/10*	271	163 624 013	1	1.142
32	25	150/150*	10/10*	481	163 624 014	1	1.376
40	32	150/150*	10/10*	759	163 624 015 163 624 016 163 624 017	1 1 1	

d [mm]	PTFE/EPDM Code	[kg]
20	163 624 032 163 624 033 163 624 034 163 624 035 163 624 036 163 624 037	1 1 1 1 1 1

Øh [mm]	Øm [mm]	Ø1h G	H [mm]	H1 [mm]	H2 [mm]	H3 [mm]	H4 [mm]	H5 [mm]	H7 [mm]	L [mm]	L2h [mm]	M	[mm]	Lift = Hx [mm]
20		1/8	101											
		1/8	132											
		1/8	143											
		1/8	173											
		1/4	214											
		1/4	226											

Øh [mm]	closest inch [inch]
20	1/2
25	3/4
32	
50	1/4
63	1/2

PF 3 39 212 201

Diaphragm valve DIASTAR Ten PVC-C FC (Fail safe to close) With solvent cement spigots metric

Model:

- Double flow rate compared to predecessor
- One housing nut replaces four screws
- Rotating air connection at 90° intervals
- Overall length EN 558

Option:

- Individual configuration of the valve (see diagram)
- Comprehensive range of accessories available

* PN: PTFE

Working Pressure: **one side**

d [mm]	DN [mm]	PN [psi]	PN* [bar]	kv-value (Δp=1 bar) [l/min]	EPDM Code	SP	Weight [kg]
20	15	150/150*	10/10*	125	163 625 012	1	0.510
25	20	150/150*	10/10*	271	163 625 013	1	1.054
32	25	150/150*	10/10*	481	163 625 014	1	1.238
40	32	150/150*	10/10*	759	163 625 015 163 625 016 163 625 017	1 1 1	

d [mm]	PTFE/EPDM Code	[kg]
20	163 625 032 163 625 033 163 625 034 163 625 035 163 625 036 163 625 037	1 1 1 1 1 1

d _m [mm]	D _m [mm]	D ₁ G [mm]	H _m [mm]	H ₁ [mm]	H ₂ [mm]	H ₃ [mm]	H ₄ [mm]	H ₅ [mm]	H ₇ [mm]	L _{mm} [mm]	L ₂ [mm]	M	closest inch [inch]
20		1/8	101										1/2
25		1/8	132										3/4
32		1/8	143										
		1/8	173										1/4
50		1/4	214										1/2
63		1/4	226										

PF 3 39 212 201

Diaphragm valve DIASTAR Ten PVC-C FC (Fail safe to close) With backing flanges PP-V metric/BS

Model:

- Double flow rate compared to predecessor
- One housing nut replaces four screws
- Rotating air connection at 90° intervals
- Flat sealing faces
- Overall length EN 558
- Connecting dimension: ISO 7005 PN 10, EN 1092 PN 10, DIN 2501 PN 10, BS 4504 PN 10

Option:

- Individual configuration of the valve (see diagram)
- Comprehensive range of accessories available

* PN: PTFE

Working Pressure: **one side**

d [mm]	DN [mm]	PN [psi]	PN* [bar]	kv-val- ue ($\Delta p=1$ bar) [l/min]	EPDM Code	SP	Weight [kg]
20	15	150/150*	10/10*	125	163 627 112	1	0.722
25	20	150/150*	10/10*	271	163 627 113	1	1.290
32	25	150/150*	10/10*	481	163 627 114	1	1.574
40	32	150/150*	10/10*	759	163 627 115 163 627 116 163 627 117	1 1 1	

d [mm]	PTFE/EPDM Code	[kg]
20	163 627 132 163 627 133 163 627 134 163 627 135 163 627 136 163 627 137	1 1 1 1 1 1

ϕ_{h1} [mm]	D_{h1} [mm]	D_{h1G}	D_{h2}	D_{h4}	D_{h5}	H_{h1}	H_{h1}	H_{h2}	H_{h3}	H_{h4}	H_{h5}	H_{h7}	L_{h1} [mm]	L_{h2}
20		1/8	95											
		1/8	105											
		1/8	115											
		1/8	140											
		1/4	150											
		1/4	165											

ϕ_{h1} [mm]	M	closest inch [inch]
20		1/2
25		3/4
32		
50		1/4
63		1/2

PF 3 39 212 201

Diaphragm valve DIASTAR Ten PVC-C FO (Fail safe to open) Unions with solvent cement sockets metric

Model:

- Double flow rate compared to predecessor
- One housing nut replaces four screws
- Rotating air connection at 90° intervals
- For easy installation and removal
- Short overall length

Option:

- Individual configuration of the valve (see diagram)
- Comprehensive range of accessories available

* PN: PTFE

Working Pressure: **one side**

d [mm]	DN [mm]	PN* [bar]	kv-value (Δp=1 bar) [l/min]	EPDM Code	SP	Weight [kg]	PTFE/EPDM Code	SP	Weight [kg]
20	15	10/10*	125	163 644 012	1	0.553	163 644 032	1	0.562
25	20	10/10*	271	163 644 013	1	0.968	163 644 033	1	0.978
32	25	10/10*	481	163 644 014	1	1.194	163 644 034	1	
				163 644 015	1		163 644 035	1	
				163 644 016	1		163 644 036	1	
				163 644 017	1		163 644 037	1	

d [mm]	D _h [mm]	D _h G [mm]	H _h [mm]	H _{h1}	H _{h2}	H _{h3}	H _{h4}	H _{h5}	H _{h7}	L _h [mm]	L _{h2}	M	[mm]	Lift = H _x [mm]
20		1/8	101											
		1/8	132											
		1/8	143											
		1/8	173											
		1/4	214											
		1/4	226											

d _h [mm]	closest inch [inch]
20	1/2
25	3/4
32	
	1/4
50	1/2
63	

PF 3 39 212 201

Diaphragm valve DIASTAR Ten PVC-C FO (Fail safe to open) With solvent cement spigots metric

Model:

- Double flow rate compared to predecessor
- One housing nut replaces four screws
- Rotating air connection at 90° intervals
- Overall length EN 558

Option:

- Individual configuration of the valve (see diagram)
- Comprehensive range of accessories available

* PN: PTFE

Working Pressure: **one side**

d [mm]	DN [mm]	PN* [bar]	kv-value ($\Delta p=1$ bar) [l/min]	EPDM Code	SP	Weight [kg]	PTFE/EPDM Code	SP	Weight [kg]	
20	15	10/10*	125	163 645 012	1	0.488	163 645 032	1	0.488	
25	20	10/10*	271	163 645 013	1	0.879	163 645 033	1	0.879	
32	25	10/10*	481	163 645 014	1	1.058	163 645 034	1		
				163 645 015	1		163 645 035	1		
				163 645 016	1		163 645 036	1		
				163 645 017	1		163 645 037	1		

d [mm]	D ₁ [mm]	D ₁ G [mm]	H ₁ [mm]	H ₁ [mm]	H ₂ [mm]	H ₃ [mm]	H ₄ [mm]	H ₅ [mm]	H ₇ [mm]	L ₁ [mm]	L ₂ [mm]	M	closest inch [inch]
20		1/8	101										1/2
25		1/8	132										3/4
32		1/8	143										
		1/8	173										1/4
50		1/4	214										1/2
63		1/4	226										

PF 3 39 212 201

Diaphragm valve DIASTAR Ten PVC-C FO (Fail safe to open) With backing flanges PP-V metric/BS

Model:

- Double flow rate compared to predecessor
- One housing nut replaces four screws
- Rotating air connection at 90° intervals
- Flat sealing faces
- Overall length EN 558
- Connecting dimension: ISO 7005 PN 10, EN 1092 PN 10, DIN 2501 PN 10, BS 4504 PN 10

Option:

- Individual configuration of the valve (see diagram)
- Comprehensive range of accessories available

* PN: PTFE

Working Pressure: **one side**

d [mm]	DN [mm]	PN* [bar]	kv-val- ue ($\Delta p=1$ bar) [l/min]	EPDM Code	SP	Weight [kg]	PTFE/EPDM Code	SP	Weight [kg]
20	15	10/10*	125	163 647 112	1	0.672	163 647 132	1	0.672
25	20	10/10*	271	163 647 113	1	1.116	163 647 133	1	1.116
32	25	10/10*	481	163 647 114	1	1.394	163 647 134	1	
				163 647 115	1		163 647 135	1	
				163 647 116	1		163 647 136	1	
				163 647 117	1		163 647 137	1	

d [mm]	D ₁ [mm]	D _{1G}	D ₃	D ₄	D ₅	H ₁ [mm]	H ₁₁	H ₂	H ₃	H ₄	H ₅	H ₇	L ₁ [mm]	L ₂
20		1/8	95											
		1/8	105											
		1/8	115											
		1/8	140											
		1/4	150											
		1/4	165											

d _h [mm]	M	closest inch [inch]
20		1/2
25		3/4
32		
50		1/4
63		1/2

PF 3 39 212 201

Diaphragm valve DIASTAR Ten PVC-C DA (Double acting) Unions with solvent cement sockets metric

Model:

- Double flow rate compared to predecessor
- One housing nut replaces four screws
- Rotating air connection at 90° intervals
- For easy installation and removal
- Short overall length

Option:

- Individual configuration of the valve (see diagram)
- Comprehensive range of accessories available

* PN: PTFE

Working Pressure: **one side**

d [mm]	DN [mm]	PN* [bar]	kv-value ($\Delta p=1$ bar) [l/min]	EPDM Code	SP	Weight [kg]	PTFE/EPDM Code	SP	Weight [kg]
20	15	10/10*	125	163 654 012	1	0.537	163 654 032	1	0.546
25	20	10/10*	271	163 654 013	1	0.932	163 654 033	1	0.942
32	25	10/10*	481	163 654 014	1	1.164	163 654 034	1	
				163 654 015	1		163 654 035	1	
				163 654 016	1		163 654 036	1	
				163 654 017	1		163 654 037	1	

d [mm]	D ₁ [mm]	D ₁ G [mm]	H ₁ [mm]	H ₁ [mm]	H ₂ [mm]	H ₂ [mm]	H ₃ [mm]	H ₄ [mm]	H ₅ [mm]	H ₇ [mm]	L ₁ [mm]	L ₂ [mm]	M	[mm]	Lift = Hx [mm]
20		1/8	101												
		1/8	132												
		1/8	143												
		1/8	173												
		1/4	214												
		1/4	226												

d _h [mm]	closest inch [inch]
20	1/2
25	3/4
32	
50	1/4
63	1/2

PF 3 39 212 201

Diaphragm valve DIASTAR Ten PVC-C DA (Double acting) With solvent cement spigots metric

Model:

- Double flow rate compared to predecessor
- One housing nut replaces four screws
- Rotating air connection at 90° intervals
- Overall length EN 558

Option:

- Individual configuration of the valve (see diagram)
- Comprehensive range of accessories available

* PN: PTFE

Working Pressure: **one side**

d [mm]	DN [mm]	PN* [bar]	kv-value (Δp=1 bar) [l/min]	EPDM Code	SP	Weight [kg]	PTFE/EPDM Code	SP	Weight [kg]	
20	15	10/10*	125	163 655 012	1	0.472	163 655 032	1	0.472	
25	20	10/10*	271	163 655 013	1	0.843	163 655 033	1	0.843	
32	25	10/10*	481	163 655 014	1	1.028	163 655 034	1		
				163 655 015	1		163 655 035	1		
				163 655 016	1		163 655 036	1		
				163 655 017	1		163 655 037	1		

d [mm]	D _h [mm]	D _h G	H ₁ [mm]	H _{1h}	H ₂ [mm]	H ₃ [mm]	H ₄ [mm]	H ₅ [mm]	H ₇ [mm]	L ₁ [mm]	L ₂ [mm]	M	closest inch [inch]
20		1/8	101										1/2
25		1/8	132										3/4
32		1/8	143										
		1/8	173										1/4
50		1/4	214										1/2
63		1/4	226										

PF 3 39 212 201

Diaphragm valve DIASTAR Ten PVC-C DA (Double acting) With backing flanges PP-V metric/BS

Model:

- Double flow rate compared to predecessor
- One housing nut replaces four screws
- Rotating air connection at 90° intervals
- Flat sealing faces
- Overall length EN 558
- Connecting dimension: ISO 7005 PN 10, EN 1092 PN 10, DIN 2501 PN 10, BS 4504 PN 10

Option:

- Individual configuration of the valve (see diagram)
- Comprehensive range of accessories available

* PN: PTFE

Working Pressure: **one side**

d [mm]	DN [mm]	PN* [bar]	kv-val- ue ($\Delta p=1$ bar) [l/min]	EPDM Code	SP	Weight [kg]	PTFE/EPDM Code	SP	Weight [kg]
20	15	10/10*	125	163 657 112	1	0.656	163 657 132	1	0.656
25	20	10/10*	271	163 657 113	1	1.080	163 657 133	1	1.080
32	25	10/10*	481	163 657 114	1	1.364	163 657 134	1	
				163 657 115	1		163 657 135	1	
				163 657 116	1		163 657 136	1	
				163 657 117	1		163 657 137	1	

d [mm]	D _m	D ₁ G	D ₃	D ₄	D ₅	H _m	H ₁	H ₂	H ₃	H ₄	H ₅	H ₇	L _m	L ₂
20		1/8	95											
		1/8	105											
		1/8	115											
		1/8	140											
		1/4	150											
		1/4	165											

d _m	M	closest inch [inch]
20		1/2
25		3/4
32		
50		1/4
63		1/2

PF 3 39 212 201

Diaphragm valve DIASTAR TenPlus PVC-C FC (Fail safe to close) Unions with solvent cement sockets metric

Model:

- Double flow rate compared to predecessor
- One housing nut replaces four screws
- Rotating air connection at 90° intervals
- For easy installation and removal
- Short overall length

Option:

- Individual configuration of the valve (see diagram)
- Comprehensive range of accessories available

* PN: PTFE

Working Pressure: **both sides**

d [mm]	DN [mm]	PN* [bar]	kv-val- ue ($\Delta p=1$ bar) [l/min]	EPDM Code	SP	Weight [kg]	PTFE/EPDM Code	SP	Weight [kg]
20	15	10/10*	125	163 684 012	1	1.004	163 684 032	1	1.012
25	20	10/10*	271	163 684 013	1	1.142	163 684 033	1	1.153
32	25	10/10*	481	163 684 014	1	1.968	163 684 034	1	
				163 684 015	1		163 684 035	1	
				163 684 016	1		163 684 036	1	
				163 684 017	1		163 684 037	1	

d [mm]	D ₁ [mm]	D ₁ G [mm]	H ₁ [mm]	H ₁ [mm]	H ₂ [mm]	H ₃ [mm]	H ₄ [mm]	H ₅ [mm]	H ₇ [mm]	L ₁ [mm]	L ₂ [mm]	M [mm]	Lift = Hx [mm]
20		1/8	127										
		1/8	132										
		1/8	167										
		1/4	196										
		1/4	239										
		1/4	251										

d _h [mm]	closest inch [inch]
20	1/2
25	3/4
32	
	1/4
50	1/2
63	

PF 3 39 212 201

Diaphragm valve DIASTAR TenPlus PVC-C FC (Fail safe to close) With solvent cement spigots metric

Model:

- Double flow rate compared to predecessor
- One housing nut replaces four screws
- Rotating air connection at 90° intervals
- Overall length EN 558

Option:

- Individual configuration of the valve (see diagram)
- Comprehensive range of accessories available

* PN: PTFE

Working Pressure: **both sides**

d [mm]	DN [mm]	PN* [bar]	kv-value ($\Delta p=1$ bar) [l/min]	EPDM Code	SP	Weight [kg]	PTFE/EPDM Code	SP	Weight [kg]	
20	15	10/10*	125	163 685 012	1	0.943	163 685 032	1	0.938	
25	20	10/10*	271	163 685 013	1	1.054	163 685 033	1	1.054	
32	25	10/10*	481	163 685 014	1	1.947	163 685 034	1		
				163 685 015	1		163 685 035	1		
				163 685 016	1		163 685 036	1		
				163 685 017	1		163 685 037	1		

d [mm]	D ₁ [mm]	D ₁ G [mm]	H ₁ [mm]	H ₁ [mm]	H ₂ [mm]	H ₃ [mm]	H ₄ [mm]	H ₅ [mm]	H ₇ [mm]	L ₁ [mm]	L ₂ [mm]	M	closest inch [inch]
20		1/8	127										1/2
25		1/8	132										3/4
32		1/8	167										
		1/4	196										1/4
50		1/4	239										1/2
63		1/4	251										

PF 3 39 212 201

Diaphragm valve DIASTAR TenPlus PVC-C FC (Fail safe to close) With backing flanges PP-V metric/BS

Model:

- Double flow rate compared to predecessor
- One housing nut replaces four screws
- Rotating air connection at 90° intervals
- Flat sealing faces
- Overall length EN 558
- Connecting dimension: ISO 7005 PN 10, EN 1092 PN 10, DIN 2501 PN 10, BS 4504 PN 10

Option:

- Individual configuration of the valve (see diagram)
- Comprehensive range of accessories available

* PN: PTFE

Working Pressure: **both sides**

d [mm]	DN [mm]	PN* [bar]	kv-val- ue ($\Delta p=1$ bar) [l/min]	EPDM Code	SP	Weight [kg]	PTFE/EPDM Code	SP	Weight [kg]
20	15	10/10*	125	163 687 112	1	1.123	163 687 132	1	1.123
25	20	10/10*	271	163 687 113	1	1.290	163 687 133	1	1.290
32	25	10/10*	481	163 687 114	1	2.168	163 687 134	1	
				163 687 115	1		163 687 135	1	
				163 687 116	1		163 687 136	1	
				163 687 117	1		163 687 137	1	

d [mm]	D ₁ [mm]	D _{1G}	D ₃	D ₄	D ₅	H ₁ [mm]	H ₁₁	H ₂	H ₃	H ₄	H ₅	H ₇	L ₁ [mm]	L ₂
20		1/8	95											
		1/8	105											
		1/8	115											
		1/4	140											
		1/4	150											
		1/4	165											

d _h [mm]	M	closest inch [inch]
20		1/2
25		3/4
32		
50		1/4
63		1/2

PF 3 39 212 201

Diaphragm valves pneumatic

Diaphragm valve type DIASTAR PVC-C Series 025 FC (Fail safe to close) With fixed flanges PVC-C metric

Model:

- Connecting dimension: ISO 7005 / EN 1092 / DIN 25 PN10 / BS4504

- With position indicator / Working pressure: **one side**

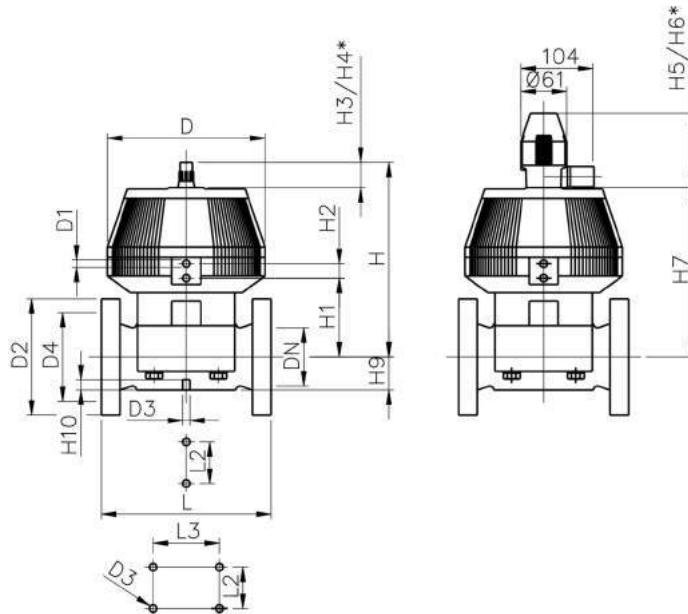
* With backing flanges PP-V

** Connecting dimensions DN80 and DN150 metric and Inch ANSI B16.5

	d [mm]	Size [inch]	DN [mm]	PN [bar]	kv-val- ue ($\Delta p=1$ bar) [l/min]	EPDM Code	Weight [kg]	PTFE/EPDM Code	Weight [kg]
*	75	2 ½	65	10	992	199 025 697	13.600	199 025 727	13.600
**	90	3	80	10	1700	199 025 698	17.830	199 025 728	17.973
	110	4	100	6	2700	199 025 699	24.700	199 025 729	24.700

d [mm]	D _m	D ₁ [G]	D ₂	D ₃ [M]	D ₄	H _{1m}	H _{1h}	H ₂	H ₃	H ₄	H ₅	H ₆	H ₇
*			¼	185									
			¼	200									
			¼	225									

d _m	H ₉	H ₁₀	L _{1m}	L ₂
*				



PF 3 39 212 109

Diaphragm valve type DIASTAR PVC-C Series 025 FO (Fail safe to open) With fixed flanges PVC-C metric

Model:

• Connecting dimension: ISO 7005 / EN 1092 / DIN 25 PN10 / BS4504

• With position indicator / Working pressure: **one side**

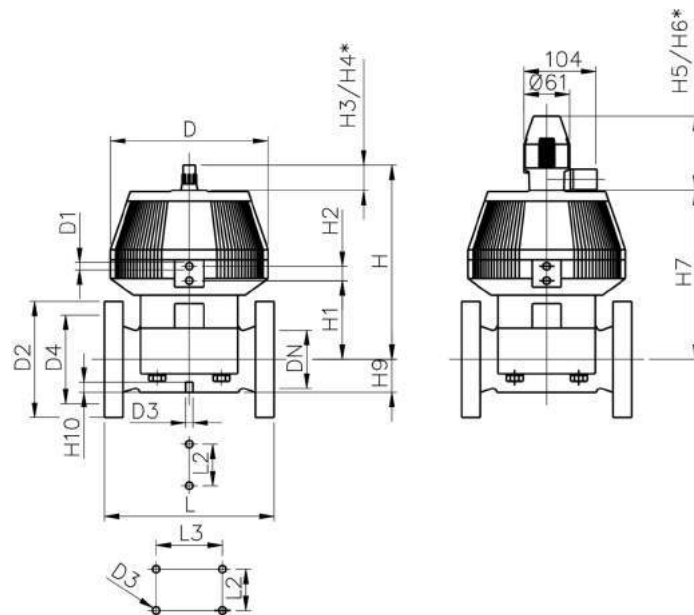
* With backing flanges PP-V

** Connecting dimensions DN80 and DN150 metric and Inch ANSI B16.5

	d [mm]	Size [inch]	DN [mm]	PN [bar]	kv-val- ue ($\Delta p=1$ bar) [l/min]	EPDM Code	Weight [kg]	PTFE/EPDM Code	Weight [kg]
*	75	2 ½	65	10	992	199 025 707	13.600	199 025 737	13.600
**	90	3	80	10	1700	199 025 708	17.400	199 025 738	17.400
	110	4	100	6	2700	199 025 709	24.700	199 025 739	

	d [mm]	D _m	D ₁ [G]	D ₂	D ₃ [M]	D ₄	H _m	H ₁	H ₂	H ₃	H ₄	H ₅	H ₆	H ₇
*			¼	185										
			¼	200										
			¼	225										

	d _m	H ₉	H ₁₀	L _m	L ₂
*					



PF 3 39 212 110

Diaphragm valve type DIASTAR PVC-C Series 025 DA (Double acting) With fixed flanges PVC-C metric

Model:

- Connecting dimension: ISO 7005 / EN 1092 / DIN 25 PN10 / BS4504

- With position indicator / Working pressure: **one side**

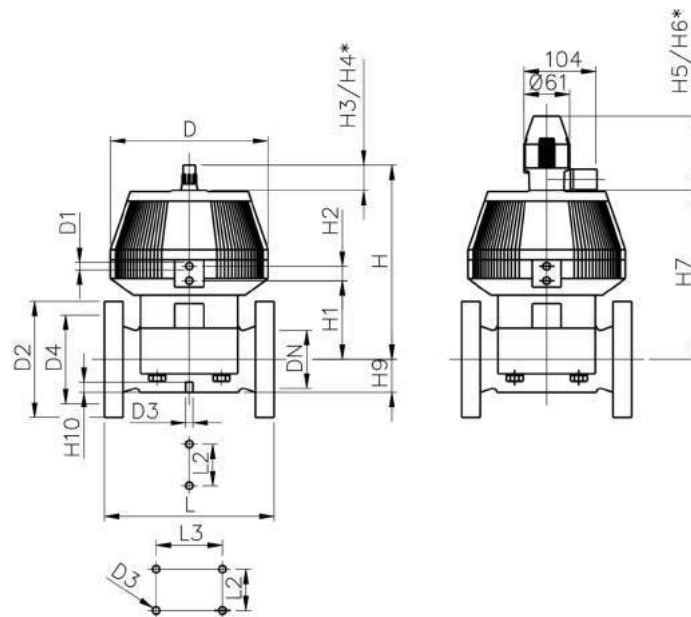
- * With backing flanges PP-V

- ** Connecting dimensions DN80 and DN150 metric and Inch ANSI B16.5

	d [mm]	Size [inch]	DN [mm]	PN [bar]	kv-value ($\Delta p=1$ bar) [l/min]	EPDM Code	Weight [kg]	PTFE/EPDM Code	Weight [kg]
*	75	2 ½	65	10	992	199 025 717	12.529	199 025 747	13.600
**	90	3	80	10	1700	199 025 718	17.400	199 025 748	17.400
	110	4	100	6	2700	199 025 719	24.700	199 025 749	24.700

	d [mm]	D _m	D ₁ [G]	D ₂	D ₃ [M]	D ₄	H _m	H ₁	H ₂	H ₃	H ₄	H ₅	H ₆	H ₇
*			¼	185										
			¼	200										
			¼	225										

	d _m	H ₉	H ₁₀	L _m	L ₂
*					



PF 3 39 212 111

Butterfly valves electric

Butterfly valve type 140 PVC-C 100-230V Without manual override

Model:

- Voltage 100-230 V, 50-60 Hz
- Control range 90°<
- Control time 15 s/90°<) EA31
- Control time 25 s/90°<) EA42
- Actuator with integrated emergency manual override standard
- Overall length according to EN 558, ISO 5752
- Connecting dimension: ISO 7005 PN 10, EN 1092 PN 10, DIN 2501 PN 10, ANSI/ASME B 16.5 Class 150, BS 1560: 1989, BS 4504, JIS B 2220

d [mm]	Size [inch]	DN [mm]	PN [bar]	kv-value (Δp=1 bar) [l/min]	EPDM Code	SP	Weight [kg]	FPM Code	SP	Weight [kg]
63	2	50	10	1470	199 140 202	1	3.189	199 140 222	1	3.193
75	2 ½	65	10	2200	199 140 203	1	4.529	199 140 223	1	4.312
90	3	80			199 140 204	1		199 140 224	1	
					199 140 205	1		199 140 225	1	
					199 140 206	1		199 140 226	1	
					199 140 207	1		199 140 227	1	
					199 140 208	1		199 140 228	1	

d [mm]	PTFE Code
63	199 140 722
75	199 140 723
90	199 140 724
110	199 140 725
140	199 140 726
160	199 140 727
225	199 140 728

d [mm]	Actuator unit type	[mm]	D ₁ [mm]	D1 min. [mm]	D1 max. [mm]	H ₁ [mm]	H ₁₁	H ₂	H ₃	L ₁ [mm]	L ₁₁	L ₂	L ₁₁
63													

d ₁ [mm]	Q ₂ [mm]
63	

PF 3 39 643 033

Butterfly valve type 140 PVC-C 100-230V With manual override

Model:

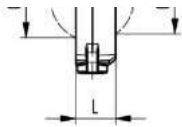
- Voltage 100-230 V, 50-60 Hz
- Control range 90°<
- Control time 15 s/90°< EA31
- Control time 25 s/90°< EA42
- Actuator with integrated emergency manual override standard
- Overall length according to EN 558, ISO 5752
- Connecting dimension: ISO 7005 PN 10, EN 1092 PN 10, DIN 2501 PN 10, ANSI/ASME B 16.5 Class 150, BS 1560: 1989, BS 4504, JIS B 2220

d [mm]	Size [inch]	DN [mm]	PN [bar]	kv-value (Δp=1 bar) [l/min]	EPDM Code	SP	Weight [kg]	FPM Code	SP	Weight [kg]
63	2	50	10	1470	199 140 162	1	5.678	199 140 182	1	4.233
75	2 ½	65	10	2200	199 140 163	1	5.801	199 140 183	1	5.812
90	3	80			199 140 164	1		199 140 184	1	
					199 140 165	1		199 140 185	1	
					199 140 166	1		199 140 186	1	
					199 140 167	1		199 140 187	1	
					199 140 168	1		199 140 188	1	

d [mm]	PTFE Code
63	199 140 762
75	199 140 763
90	199 140 764
110	199 140 765
140	199 140 766
160	199 140 767
225	199 140 768

d [mm]	Actuator unit type	[mm]	Øm	D1 min. [mm]	D1 max. [mm]	Hm	H1n	H2n	H3n	H4n	Ln	l1n	l2n
63													

Øm	l3n	Q1n	Q2n
63			



PF 3 39 643 033

Butterfly valve type 140 PVC-C 24V Without manual override

Model:

- Voltage 24 V AC/DC
- Control range 90°<
- Control time 15 s/90°<) EA31
- Control time 25 s/90°<) EA42
- Actuator with integrated emergency manual override standard
- Overall length according to EN 558, ISO 5752
- Connecting dimension: ISO 7005 PN 10, EN 1092 PN 10, DIN 2501 PN 10, ANSI/ASME B 16.5 Class 150, BS 1560: 1989, BS 4504, JIS B 2220

d [mm]	Size [inch]	DN [mm]	PN [bar]	kv-val- ue ($\Delta p=1$ bar) [l/min]	EPDM Code	SP	Weight [kg]	FPM Code	SP	Weight [kg]
63	2	50	10	1470	199 140 282	1	3.189	199 140 302	1	3.193
75	2 ½	65	10	2200	199 140 283	1	4.301	199 140 303	1	4.312
90	3	80			199 140 284	1		199 140 304	1	
					199 140 285	1		199 140 305	1	
					199 140 286	1		199 140 306	1	
					199 140 287	1		199 140 307	1	
					199 140 288	1		199 140 308	1	

d [mm]	PTFE Code
63	199 140 742
75	199 140 743
90	199 140 744
110	199 140 745
140	199 140 746
160	199 140 747
225	199 140 748

d [mm]	Actuator unit type	[mm]	D _{1m}	D1 min. [mm]	D1 max. [mm]	H _{1m}	H _{1n}	H ₂	H ₃	L _{1m}	L _{1n}	L ₂	Q _{1n}
63													

d _{1m}	Q ₂
63	

PF 3 39 643 033

Butterfly valve type 140 PVC-C 24V With manual override

Model:

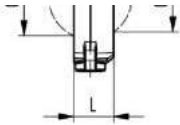
- Voltage 24 V AC/DC
- Control range 90°<
- Control time 15 s/90°< EA31
- Control time 25 s/90°< EA42
- Actuator with integrated emergency manual override standard
- Overall length according to EN 558, ISO 5752
- Connecting dimension: ISO 7005 PN 10, EN 1092 PN 10, DIN 2501 PN 10, ANSI/ASME B 16.5 Class 150, BS 1560: 1989, BS 4504, JIS B 2220

d [mm]	Size [inch]	DN [mm]	PN [bar]	kv-value (Δp=1 bar) [l/min]	EPDM Code	SP	Weight [kg]	FPM Code	SP	Weight [kg]
63	2	50	10	1470	199 140 242	1	5.678	199 140 262	1	4.233
75	2 ½	65	10	2200	199 140 243	1	5.801	199 140 263	1	5.812
90	3	80			199 140 244	1		199 140 264	1	
					199 140 245	1		199 140 265	1	
					199 140 246	1		199 140 266	1	
					199 140 247	1		199 140 267	1	
					199 140 248	1		199 140 268	1	

d [mm]	PTFE Code
63	199 140 782
75	199 140 783
90	199 140 784
110	199 140 785
140	199 140 786
160	199 140 787
225	199 140 788

d [mm]	Actuator unit type	[mm]	Øm	D1 min. [mm]	D1 max. [mm]	Hm	H1n	H2n	H3n	H4n	Ln	l1n	l2n
63													

Øm	l3n	Q1n	Q2n
63			



PF 3 39 643 033

Lugstyle butterfly valve type 141 PVC-C 100-230V Without manual override

Model:

- Outer body in GGG-40.3 epoxy-coated
- Voltage 100-230 V, 50-60 Hz
- Control range 90°<
- Control time 15 s/90°< EA31
- Control time 25 s/90°< EA42
- Actuator with integrated emergency manual override standard
- Overall length according to EN 558, ISO 5752
- Connecting dimension: ISO 7005 PN10, EN 1092 PN10, DIN 2501 PN10

d [mm]	Size [inch]	DN [mm]	PN [bar]	kv-val- ue ($\Delta p=1$ bar) [l/min]	EPDM Code	SP	Weight [kg]	FPM Code	SP	Weight [kg]
63	2	50	10	1470	199 141 202	1	6.281	199 141 222	1	6.281
75	2 ½	65	10	2200	199 141 203	1	6.648	199 141 223	1	6.648
90	3	80			199 141 204	1		199 141 224	1	
					199 141 205	1		199 141 225	1	
					199 141 206	1		199 141 226	1	
					199 141 207	1		199 141 227	1	
					199 141 208	1		199 141 228	1	

d [mm]	PTFE Code
63	199 141 722
75	199 141 723
90	199 141 724
110	199 141 725
140	199 141 726
160	199 141 727
225	199 141 728

d [mm]	Actuator unit type	[mm]	D	[mm]	H _{1m}	H _{1n}	H _{2n}	H _{3n}	L _{1m}	L _{1n}	L _{2n}	L _{3n}	Q _{1n}
63													

d _{hm}	Q ₂
63	

PF 3 39 643 034

Lugstyle butterfly valve type 141 PVC-C 100-230V With manual override

Model:

- Outer body in GGG-40.3 epoxy-coated
- Voltage 100-230 V, 50-60 Hz
- Control range 90°<
- Control time 15 s/90°< EA31
- Control time 25 s/90°< EA42
- Actuator with integrated emergency manual override standard
- Overall length according to EN 558, ISO 5752
- Connecting dimension: ISO 7005 PN10, EN 1092 PN10, DIN 2501 PN10

d [mm]	Size [inch]	DN [mm]	PN [bar]	kv-val- ue ($\Delta p=1$ bar) [l/min]	EPDM Code	SP	Weight [kg]	FPM Code	SP	Weight [kg]
63	2	50	10	1470	199 141 162	1	7.781	199 141 182	1	7.781
75	2 ½	65	10	2200	199 141 163	1	8.148	199 141 183	1	8.148
90	3	80			199 141 164	1		199 141 184	1	
					199 141 165	1		199 141 185	1	
					199 141 166	1		199 141 186	1	
					199 141 167	1		199 141 187	1	
					199 141 168	1		199 141 188	1	

d [mm]	PTFE Code
63	199 141 762
75	199 141 763
90	199 141 764
110	199 141 765
140	199 141 766
160	199 141 767
225	199 141 768

d [mm]	Actuator unit type	[mm]	D	[mm]	H ₁	H ₁	H ₂	H ₃	H ₄	[mm]	L ₁	L ₂	L ₃
63													

[mm]	L ₄	Q ₁	Q ₂
63			

PF 3 39 643 034

Lugstyle butterfly valve type 141 PVC-C 24V Without manual override

Model:

- Outer body in GGG-40.3 epoxy-coated
- Voltage 24 V AC/DC
- Control range 90°<)
- Control time 15 s/90°<) EA31
- Control time 25 s/90°<) EA42
- Actuator with integrated emergency manual override standard
- Overall length according to EN 558, ISO 5752
- Connecting dimension: ISO 7005 PN10, EN 1092 PN10, DIN 2501 PN10

d [mm]	Size [inch]	DN [mm]	PN [bar]	kv-val- ue ($\Delta p=1$ bar) [l/min]	EPDM Code	SP	Weight [kg]	FPM Code	SP	Weight [kg]
63	2	50	10	1470	199 141 282	1	6.281	199 141 302	1	6.281
75	2 ½	65	10	2200	199 141 283	1	6.648	199 141 303	1	6.648
90	3	80			199 141 284	1		199 141 304	1	
					199 141 285	1		199 141 305	1	
					199 141 286	1		199 141 306	1	
					199 141 287	1		199 141 307	1	
					199 141 288	1		199 141 308	1	

d [mm]	PTFE Code
63	199 141 742
75	199 141 743
90	199 141 744
110	199 141 745
140	199 141 746
160	199 141 747
225	199 141 748

d [mm]	Actuator unit type	[mm]	D	[mm]	H _{1m}	H _{1n}	H _{2n}	H _{3n}	L _{1m}	L _{1n}	L _{2n}	L _{3n}	Q _{1n}
63													

d _{hm}	Q ₂
63	

PF 3 39 643 034

Lugstyle butterfly valve type 141 PVC-C 24V With manual override

Model:

- Outer body in GGG-40.3 epoxy-coated
- Voltage 24 V AC/DC
- Control range 90°<
- Control time 15 s/90°< EA31
- Control time 25 s/90°< EA42
- Actuator with integrated emergency manual override standard
- Overall length according to EN 558, ISO 5752
- Connecting dimension: ISO 7005 PN10, EN 1092 PN10, DIN 2501 PN10

d [mm]	Size [inch]	DN [mm]	PN [bar]	kv-val- ue ($\Delta p=1$ bar) [l/min]	EPDM Code	SP	Weight [kg]	FPM Code	SP	Weight [kg]
63	2	50	10	1470	199 141 242	1	7.781	199 141 262	1	7.781
75	2 ½	65	10	2200	199 141 243	1	8.148	199 141 263	1	8.148
90	3	80			199 141 244	1		199 141 264	1	
					199 141 245	1		199 141 265	1	
					199 141 246	1		199 141 266	1	
					199 141 247	1		199 141 267	1	
					199 141 248	1		199 141 268	1	

d [mm]	PTFE Code
63	199 141 782
75	199 141 783
90	199 141 784
110	199 141 785
140	199 141 786
160	199 141 787
225	199 141 788

d [mm]	Actuator unit type	[mm]	D	[mm]	H _{1h}	H _{1h}	H _{2h}	H _{3h}	H _{4h}	[mm]	L _{1n}	L _{2n}	L _{3n}
63													

d _h [mm]	L _{4n}	L _{1n}	L _{2n}
63			

PF 3 39 643 034

Butterfly valves pneumatic

Butterfly valve type 240 PVC-C FC (Fail safe to close) Without manual override

Model:

- Control range 90°<)
- Overall length according to EN 558, ISO 5752
- Connecting dimension: ISO 7005 PN 10, EN 1092 PN 10, DIN 2501 PN 10, ANSI/ASME B 16.5 Class 150, BS 1560: 1989, BS 4504, JIS B 2220

d [mm]	Size [inch]	DN [mm]	PN [bar]	kv-value (Δp=1 bar) [l/min]	EPDM Code	SP	Weight [kg]	FPM Code	SP	Weight [kg]
63	2	50	10	1470	199 240 162	1	3.218	199 240 182	1	3.218
75	2 ½	65	10	2200	199 240 163	1	3.341	199 240 183	1	3.352
90	3	80			199 240 164	1		199 240 184	1	
					199 240 165	1		199 240 185	1	
					199 240 166	1		199 240 186	1	
					199 240 167	1		199 240 187	1	
					199 240 168	1		199 240 188	1	

d [mm]	PTFE Code
63	199 240 642
75	199 240 643
90	199 240 644
110	199 240 645
140	199 240 646
160	199 240 647
225	199 240 648

d [mm]	Actuator unit type	[mm]	D ₁ [mm]	D1 min. [mm]	D1 max. [mm]	H ₁ [mm]	H1 ₁	H2 ₁	H3 ₁	H4 ₁	H5 ₁	L ₁ [mm]	L1 ₁
63													

d ₁ [mm]	L2 ₁	Q1 ₁	Q2 ₁
63			



PF 3 39 644 033

Butterfly valve type 240 PVC-C FO (Fail safe to open) Without manual override

Model:

- Control range 90°<
- Overall length according to EN 558, ISO 5752
- Connecting dimension: ISO 7005 PN 10, EN 1092 PN 10, DIN 2501 PN 10, ANSI/ASME B 16.5 Class 150, BS 1560: 1989, BS 4504, JIS B 2220

d [mm]	Size [inch]	DN [mm]	PN [bar]	kv-value (Δp=1 bar) [l/min]	EPDM Code	SP	Weight [kg]	FPM Code	SP	Weight [kg]
63	2	50	10	1470	199 240 202	1	3.439	199 240 222	1	3.443
75	2 ½	65	10	2200	199 240 203	1	3.341	199 240 223	1	3.352
90	3	80			199 240 204	1		199 240 224	1	
					199 240 205	1		199 240 225	1	
					199 240 206	1		199 240 226	1	
					199 240 207	1		199 240 227	1	
					199 240 208	1		199 240 228	1	

d [mm]	PTFE Code
63	199 240 662
75	199 240 663
90	199 240 664
110	199 240 665
140	199 240 666
160	199 240 667
225	199 240 668

d [mm]	Actuator unit type	[mm]	D _m	D1 min. [mm]	D1 max. [mm]	H _m	H _{1n}	H _{2n}	H _{3n}	H _{4n}	H _{5n}	L _m	L _{1n}
63													

φ _m	L _{2n}	Q _{1n}	Q _{2n}
63			



PF 3 39 644 033

Butterfly valve type 240 PVC-C DA (Double acting) Without manual override

Model:

- Control range 90°<
- Overall length according to EN 558, ISO 5752
- Connecting dimension: ISO 7005 PN 10, EN 1092 PN 10, DIN 2501 PN 10, ANSI/ASME B 16.5 Class 150, BS 1560: 1989, BS 4504, JIS B 2220

d [mm]	Size [inch]	DN [mm]	PN [bar]	kv-val- ue ($\Delta p=1$ bar) [l/min]	EPDM Code	SP	Weight [kg]	FPM Code	SP	Weight [kg]
63	2	50	10	1470	199 240 242	1	5.184	199 240 262	1	2.293
75	2 ½	65	10	2200	199 240 243	1	2.191	199 240 263	1	2.202
90	3	80			199 240 244	1		199 240 264	1	
					199 240 245	1		199 240 265	1	
					199 240 246	1		199 240 266	1	
					199 240 247	1		199 240 267	1	
					199 240 248	1		199 240 268	1	

d [mm]	PTFE Code
63	199 240 682
75	199 240 683
90	199 240 684
110	199 240 685
140	199 240 686
160	199 240 687
225	199 240 688

d [mm]	Actuator unit type	[mm]	D ₁ [mm]	D1 min. [mm]	D1 max. [mm]	H ₁ [mm]	H ₁₁ [mm]	H ₂ [mm]	H ₃ [mm]	H ₄ [mm]	H ₅ [mm]	L ₁ [mm]	L ₁₁ [mm]
63													

d ₁ [mm]	L ₂ [mm]	Q ₁ [mm]	Q ₂ [mm]
63			

PF 3 39 644 031

Lugstyle butterfly valve type 241 PVC-C FC (Fail safe to close) Without manual override

Model:

- Outer body in GGG-40.3 epoxy-coated
- Control range 90°<
- Overall length according to EN 558, ISO 5752
- Connecting dimension: ISO 7005 PN10, EN 1092 PN10, DIN 2501 PN10

d [mm]	Size [inch]	DN [mm]	PN [bar]	kv-value (Δp=1 bar) [l/min]	EPDM Code	SP	Weight [kg]	FPM Code	SP	Weight [kg]
63	2	50	10	1470	199 241 162	0	5.321	199 241 182	0	5.321
75	2 ½	65	10	2200	199 241 163	0	5.688	199 241 183	0	5.688
90	3	80			199 241 164	0		199 241 184	0	
					199 241 165	0		199 241 185	0	
					199 241 166	0		199 241 186	0	
					199 241 167	1		199 241 187	1	
					199 241 168	0		199 241 188	0	

d [mm]	PTFE Code
63	199 241 642
75	199 241 643
90	199 241 644
110	199 241 645
140	199 241 646
160	199 241 647
225	199 241 648

d [mm]	Actuator unit type	[mm]	D	[mm]	H ₁	H ₁₁	H ₂	H ₃	H ₄	H ₅	L _{mm}	L ₁	L ₂
63													

φ _{mm}	L ₁	L ₁₁	L ₂
63			



PF 3 39 644 034

Lugstyle butterfly valve type 241 PVC-C FO (Fail safe to open) Without manual override

Model:

- Outer body in GGG-40.3 epoxy-coated
- Control range 90°<
- Overall length according to EN 558, ISO 5752
- Connecting dimension: ISO 7005 PN10, EN 1092 PN10, DIN 2501 PN10

d [mm]	Size [inch]	DN [mm]	PN [bar]	kv-val- ue ($\Delta p=1$ bar) [l/min]	EPDM Code	SP	Weight [kg]	FPM Code	SP	Weight [kg]
63	2	50	10	1470	199 241 202	0	5.321	199 241 222	0	5.321
75	2 ½	65	10	2200	199 241 203	0	5.688	199 241 223	0	5.688
90	3	80			199 241 204	0		199 241 224	0	
					199 241 205	0		199 241 225	0	
					199 241 206	0		199 241 226	0	
					199 241 207	1		199 241 227	1	
					199 241 208	0		199 241 228	0	

d [mm]	PTFE Code
63	199 241 662
75	199 241 663
90	199 241 664
110	199 241 665
140	199 241 666
160	199 241 667
225	199 241 668

d [mm]	Actuator unit type	[mm]	D [mm]	H [mm]	H1 [mm]	H2 [mm]	H3 [mm]	H4 [mm]	H5 [mm]	L [mm]	L1 [mm]	L2 [mm]
63												

d [mm]	L3 [mm]	Q1 [mm]	Q2 [mm]
63			



PF 3 39 644 034

Lugstyle butterfly valve type 241 PVC-C DA (Double acting) Without manual override

Model:

- Outer body in GGG-40.3 epoxy-coated
- Control range 90°<
- Overall length according to EN 558, ISO 5752
- Connecting dimension: ISO 7005 PN10, EN 1092 PN10, DIN 2501 PN10

d [mm]	Size [inch]	DN [mm]	PN [bar]	kv-value (Δp=1 bar) [l/min]	EPDM Code	SP	Weight [kg]	FPM Code	SP	Weight [kg]
63	2	50	10	1470	199 241 242	0	4.171	199 241 262	0	4.171
75	2 ½	65	10	2200	199 241 243	0	4.538	199 241 263	0	4.538
90	3	80			199 241 244	0		199 241 264	0	
					199 241 245	0		199 241 265	0	
					199 241 246	0		199 241 266	0	
					199 241 247	0		199 241 267	0	
					199 241 248	0		199 241 268	0	

d [mm]	PTFE Code
63	199 241 682
75	199 241 683
90	199 241 684
110	199 241 685
140	199 241 686
160	199 241 687
225	199 241 688

d [mm]	Actuator unit type	[mm]	D	[mm]	H ₁	H ₁₁	H ₂	H ₃	H ₄	H ₅	L _{mm}	L ₁	L ₂
63													

φ _{mm}	L ₁	L ₁₁	L ₂
63			



PF 3 39 644 034

Index

Code	Page
161 486 100	77
161 486 101	77
161 486 102	77
161 486 103	77
161 486 104	77
161 486 105	77
161 486 106	77
161 486 107	77
163 017 130	6
163 017 131	6
163 017 132	6
163 017 133	6
163 017 134	6
163 017 135	6
163 017 136	6
163 017 137	6
163 017 138	6
163 017 139	6
163 017 142	6
163 017 187	6
163 017 188	6
163 017 189	6

Code	Page
163 517 114	

Code	Page
163 543 103	

Index

Code	Page
163 543 381	52
163 543 382	52
163 543 383	52
163 543 384	52
163 543 385	52
163 543 386	52
163 543 387	52
163 543 391	52
163 543 392	52
163 543 393	52
163 543 394	52
163 543 395	52
163 543 396	52
163 543 397	52
163 543 401	46
163 543 402	46
163 543 403	46
163 543 404	46
163 543 405	46
163 543 406	46
163 543 407	46
163 543 411	46

Code	Page
163 546 073	

Code	Page
163 546 389	

Index

Code	Page
163 561 037	68
163 561 038	68
163 561 039	68
163 561 040	68
163 562 001	69
163 562 002	69
163 562 003	69
163 562 004	69
163 562 005	69
163 562 006	69
163 562 007	69
163 562 008	69
163 562 009	69
163 562 010	69
163 562 011	69
163 562 012	69
163 562 013	69
163 562 014	69
163 562 015	69
163 562 016	69
163 562 017	69
163 562 018	69

Code	Page
163 567 065	

Code	Page
163 568 203	

Index

Code	Page
163 582 112	74
163 582 113	74
163 582 114	74
163 582 115	74
163 582 116	74
163 582 117	74
163 582 122	75
163 582 123	75
163 582 124	75
163 582 125	75
163 582 126	75
163 582 127	75
163 582 132	75
163 582 133	75
163 582 134	75
163 582 135	75
163 582 136	75
163 582 137	75
163 586 001	76
163 586 002	76
163 586 003	76
163 586 004	76

Code	Page
163 595 005	

Code	Page
163 627 136	

Index

Code	Page
163 657 132	146
163 657 133	146
163 657 134	146
163 657 135	146
163 657 136	146
163 657 137	146
163 684 012	147
163 684 013	147
163 684 014	147
163 684 015	147
163 684 016	147
163 684 017	147
163 684 032	147
163 684 033	147
163 684 034	147
163 684 035	147
163 684 036	147
163 684 037	147
163 685 012	148
163 685 013	148
163 685 014	148
163 685 015	148

Code	Page
167 061 040	

Code	Page
199 104 107	

Index

Code	Page
199 107 165	84
199 107 166	84
199 107 167	84
199 107 168	84
199 107 172	84
199 107 173	84
199 107 174	84
199 107 175	84
199 107 176	84
199 107 177	84
199 107 178	84
199 107 702	82
199 107 703	82
199 107 704	82
199 107 705	82
199 107 706	82
199 107 707	82
199 107 708	82
199 107 712	82
199 107 713	82
199 107 714	82
199 107 715	82

Code	Page
199 130 211	

Code	Page
199 130 459	

Index

Code	Page
199 140 247	156
199 140 248	156
199 140 262	156
199 140 263	156
199 140 264	156
199 140 265	156
199 140 266	156
199 140 267	156
199 140 268	156
199 140 282	155
199 140 283	155
199 140 284	155
199 140 285	155
199 140 286	155
199 140 287	155
199 140 288	155
199 140 302	155
199 140 303	155
199 140 304	155
199 140 305	155
199 140 306	155
199 140 307	155

Code	Page
199 141 205	

Code	Page
199 185 083	

Index

Code	Page
199 185 278	100
199 185 282	101
199 185 283	101
199 185 284	101
199 185 285	101
199 185 286	101
199 185 287	101
199 185 288	101
199 185 292	101
199 185 293	101
199 185 294	101
199 185 295	101
199 185 296	101
199 185 297	101
199 185 298	101
199 185 302	97
199 185 303	97
199 185 304	97
199 185 305	97
199 185 306	97
199 185 307	97
199 185 308	97

Code	Page
199 230 436	

Code	Page
199 230 531	

Index

Code	Page
199 230 599	115
199 230 600	115
199 230 601	115
199 230 602	120
199 230 603	120
199 230 604	120
199 230 605	120
199 230 606	120
199 230 607	120
199 230 608	120
199 230 609	120
199 230 610	120
199 230 611	120
199 230 612	120
199 230 613	120
199 230 614	120
199 230 615	120
199 230 616	120
199 230 617	120
199 230 618	120
199 230 619	120
199 230 620	120

Code	Page
199 230 816	

Code	Page
199 230 953	

Index

Code	Page
199 240 268	163
199 240 642	161
199 240 643	161
199 240 644	161
199 240 645	161
199 240 646	161
199 240 647	161
199 240 648	161
199 240 662	162
199 240 663	162
199 240 664	162
199 240 665	162
199 240 666	162
199 240 667	162
199 240 668	162
199 240 682	163
199 240 683	163
199 240 684	163
199 240 685	163
199 240 686	163
199 240 687	163
199 240 688	163

Code	Page
199 241 646	

Code	Page
199 285 154	

Index

Code	Page
720 600 243	22
720 600 246	21
720 600 247	21
720 600 248	21
720 600 249	21
720 600 250	21
720 600 251	21
720 600 252	21
720 600 253	21
720 600 257	21
720 600 258	21
720 600 268	21
723 000 106	7
723 000 107	7
723 000 108	7
723 000 109	7
723 000 110	7
723 000 111	7
723 000 112	7
723 000 113	7
723 000 114	7
723 000 117	7

Code	Page
723 200 135	

Code	Page
723 510 186	

Index

Code	Page
723 540 731	16
723 540 732	16
723 540 733	16
723 540 734	16
723 540 735	16
723 540 736	16
723 545 505	17
723 545 506	17
723 545 507	17
723 545 508	17
723 545 509	17
723 545 510	17
723 545 511	17
723 545 530	17
723 545 531	17
723 545 532	17
723 545 533	17
723 545 534	17
723 545 535	17
723 545 536	17
723 550 506	18
723 550 507	18

Code	Page
723 800 105	

Code	Page
723 910 210	

Index

Code	Page
727 700 407	24
727 700 408	24
727 700 409	24
727 700 410	24
727 700 411	24
727 700 412	24
727 700 413	24
727 700 414	24
727 700 416	24
727 700 417	24, 25
727 700 419	24, 25
727 700 420	24, 25
727 700 421	24
727 701 206	26
727 701 207	26
727 701 208	26
727 701 209	26
727 701 210	26
727 701 211	26
727 701 212	26
727 701 213	26
727 701 214	26

Code	Page
748 440 713	

Notes

Notes

Notes

General Condition of Supply of Georg Fischer Piping Systems Limited, Schaffhausen

1 General

- 1.1 These General Conditions shall apply to all Products supplied by Georg Fischer Piping Systems Limited («Georg Fischer») to the Purchaser. They shall also apply to all future business even when no express reference is made to them.
- 1.2 Any deviating or supplementary conditions especially Purchaser's general conditions of purchase and verbal agreements shall only be applicable if accepted in writing by Georg Fischer.
- 1.3 The written form shall be deemed to be fulfilled by all forms of transmission, evidenced in the form of text, such as telefax, e-mail, etc.

2 Tenders

Tenders shall only be binding if they contain a specifically stated period for acceptance.

3 Scope of Delivery

- 3.1 Georg Fischer's product range is subject to change.
- 3.2 The confirmation of order shall govern the scope and execution of the contract.

4 Data and Documents

- 4.1 Technical documents such as drawings, descriptions, illustrations and data on dimensions, performance and weight as well as the reference to standards are for information purposes only. They are not warranted characteristics and are subject to change.
- 4.2 All technical documents shall remain the exclusive property of Georg Fischer and may only be used for the agreed purposes or as Georg Fischer may consent.

5 Confidentiality, Protection of Personal Data

- 5.1 Each party shall keep in strict confidence all commercial or technical information relating to the business of the other party, of which it has gained knowledge in the course of its dealing with the other party. Such information shall neither be disclosed to third parties nor used for other purposes than those for which the information has been supplied.
- 5.2 In the context of the contractual relation with the Purchaser personal data may be processed. The Purchaser agrees to the disclosure of said data to third parties such as foreign subcontractors and suppliers etc.

6 Local Laws and Regulations, Export Controls

- 6.1 The Purchaser shall bring to the attention of Georg Fischer all local laws and regulations at the place of destination which bear connection with the execution of the contract and the adherence to relevant safety regulations and approval procedures.
- 6.2 In case of re-exports, Purchaser shall be responsible for compliance with pertinent export control regulations.

7 Price

- 7.1 Unless agreed otherwise, the prices shall be deemed quoted net ex works (according to Incoterms 2010 of the ICC, or latest version) including standard packing. All supplementary costs such as the cost of carriage, insurance, export-, transit- and import- licences etc. shall be borne by the Purchaser. The Purchaser shall also bear the costs of all taxes, fees, duties etc. connected with the contract.
- 7.2 If the costs of packing, carriage, insurance, fees and other supplementary costs are included in the tender price or contract price or are referred to specifically in the tender or confirmation of order, Georg Fischer reserve the right to revise their prices accordingly should any change occur in the relevant tariffs.

8 Terms of Payment

- 8.1 The Purchaser shall make payment in the manner agreed by the parties without any deductions such as discounts, costs, taxes or dues.
- 8.2 The Purchaser may only withhold or off-set payments due against counter claims which are either expressly acknowledged by Georg Fischer or finally awarded to the Purchaser. In particular, payment shall still be made when unessential items are still outstanding provided that the Products already delivered are not rendered unusable as a result.

9 Retention of Title

- 9.1 The Products shall remain the property of Georg Fischer until the Purchaser shall have settled all claims, present and future, which Georg Fischer may have against him.
- 9.2 Should the Purchaser resell Products to which title is reserved, in the ordinary course of business, he shall hereby be deemed to have tacitly assigned to Georg Fischer the proceeds deriving from their sale together with all collateral rights, securities and reservations of title until all claims held by Georg Fischer shall have been settled. Until revoked by Georg Fischer, this assignment shall not preclude Purchaser's right to collect the assigned receivables.
- 9.3 To the extent the value of the Products to which title is reserved together with collateral securities exceeds Georg Fischer's claims against the Purchaser by more than 20%, Georg Fischer shall re-assign the above proceeds to Purchaser at his request.

10 Delivery

- 10.1 The term of delivery shall commence as soon as the contract has been entered into, all official formalities such as import and payment permits have been obtained and all essential technical issues have been settled. The term of delivery shall be deemed duly observed when, upon its expiry, the Products are ready for despatch.
- 10.2 Delivery is subject to the following conditions, i.e. the term of delivery shall be reasonably extended:
 - a) if Georg Fischer are not supplied in time with the information necessary for the execution of the contract or if subsequent changes causing delays are made by the Purchaser.
 - b) if Georg Fischer are prevented from performing the contract by force majeure. Force majeure shall equally be deemed to be any unforeseeable event beyond Georg Fischer's control which renders Georg Fischer's performance commercially impractical or impossible, such as delayed or defective supplies from sub contractors labour disputes, governmental orders or regulations, shortages in materials or energy, serious disturbances in Georg Fischer's works, such as the total or partial destruction of plant and equipment or the breakdown of essential facilities, serious disruptions in transport facilities, e.g. impassable roads. Should the effect of force majeure exceed a period of six (6) months, either party may cancel the contract forthwith. Georg Fischer shall not be liable for any damage or loss of any kind whatsoever resulting from the reform, any suspension or cancellation being without prejudice to Georg Fischer's right to recover all sums due in respect of consignments delivered and costs incurred to date.
 - c) if the Purchaser is in delay with the fulfilment of his obligations under the contract, in particular, if he does not adhere to the agreed conditions of payment or if he has failed to timely provide the agreed securities.
- 10.3 If for reasons attributable to Georg Fischer the agreed term of delivery or a reasonable extension thereof is exceeded, Georg Fischer shall not be deemed in default until the Purchaser has granted to Georg Fischer in writing a reasonable extension thereof of not less than one (1) month which equally is not met. The Purchaser shall then be entitled to the remedies provided at law, it being however understood that, subject to limitations of Art. 16, damage claims shall be limited to max. 10% of the price of the delayed delivery.
- 10.4 Part shipments shall be allowed and Georg Fischer shall be entitled to invoice for such partial deliveries.
- 10.5 If the Purchaser fails to take delivery within a reasonable time of Products notified as ready for despatch, Georg Fischer shall be entitled to store the Products at the Purchaser's expense and risk and to invoice them as delivered. If Purchaser fails to effect payment, Georg Fischer shall be entitled to dispose of the Products.
- 10.6 Should Purchaser cancel an order without justification and should Georg Fischer not insist on the performance of the contract, Georg Fischer shall be entitled to a penalty amounting to 10% of the contract price, Georg Fischer's right to prove and claim higher damages remaining reserved.

Purchaser shall be entitled to prove, that Georg Fischer has suffered no or a considerably lower damage than the penalty forfeited.

11 Packing

If the Products are provided with additional packing over and above the standard packing, such packing shall be charged additionally.

12 Passing of Risk

- 12.1 The risk in the Products shall pass to the Purchaser as soon as they have left Georg Fischer's works [EX WORKS, Incoterms 2010 ICC, or latest version], even if delivery is made carriage-paid, under similar clauses or including installation or when carriage is organized and managed by Georg Fischer.
- 12.2 If delivery is delayed for reasons beyond Georg Fischer's control, the risk shall pass to the Purchaser when he is notified that the Products are ready for despatch.

13 Carriage and Insurance

- 13.1 Unless agreed otherwise, the Purchaser shall bear the cost of carriage.
- 13.2 The Purchaser shall be responsible for transport insurance against damage of whatever kind. Even when such insurance is arranged by Georg Fischer it shall be deemed taken out by the order of and for the account of the Purchaser and at his risk.
- 13.3 Special requests regarding carriage and insurance shall be communicated to Georg Fischer in due time. Otherwise carriage shall be arranged by Georg Fischer at their discretion, but without responsibility, by the quickest and cheapest method possible. In case of carriage-paid delivery transport arrangements shall be made by Georg Fischer. If the Purchaser specifies particular requirements, any extra costs involved shall be borne by him.
- 13.4 In the event of damage or loss of the Products during carriage the Purchaser shall mark the delivery documents accordingly and immediately have the damage ascertained by the carrier. Not readily ascertainable damages sustained during carriage shall be notified to the carrier within six (6) days after receipt of the Products.

14 Inspection, Notification of Defects and Damages

- 14.1 The Products will be subject to normal inspection by Georg Fischer during manufacture. Additional tests required by the Purchaser shall be agreed upon in writing and shall be charged to the Purchaser.
- 14.2 It shall be a condition of Georg Fischer's obligation under the warranties stated hereinafter that Georg Fischer be notified in writing by the Purchaser of any purported defect immediately upon discovery. Notice concerning weight, numbers or apparent defects is to be given latest within 30 days from receipt of the Products, notice of other defects immediately latest within seven (7) working days after discovery, in any event within the agreed warranty period.
- 14.3 Purchaser shall not dispose of allegedly defective Products until all warranty and/or damage claims are finally settled. At its request, defective Products are to be placed at Georg Fischer's disposal.
- 14.4 At its request, Georg Fischer shall be given the opportunity to inspect the defect and/or damage, prior to commencement of remedial work, either itself or by third party experts.

15 Warranty

- 15.1 At the written request of the Purchaser, Georg Fischer undertakes to repair or replace at its discretion, as quickly as possible and free of charge, all Products supplied which demonstrably suffer from faulty design, materials or workmanship, from faulty operating or installation instructions or which become defective or unusable due to faulty advice. In order to protect employees from toxic or radioactive substances which may have been transported through defective parts returned to Georg Fischer's sales organisation, said parts must be accompanied by a Material Safety Disclosure Form. The form may be obtained from Georg Fischer's local sales company or via www.piping.georgfischer.com. Replaced parts shall become property of Georg Fischer, unless Georg Fischer waives such claim.
- 15.2 For Products which are manufactured to specifications, drawings or patterns supplied by the Purchaser, Georg Fischer's warranty shall be restricted to proper materials and workmanship.
- 15.3 The Purchaser shall be entitled to rescind the contract or to demand a reduction of the contract price if
 - the repair or replacement of the defective Product is impossible
 - the defective Product is not repaired or replaced within a reasonable period
 - Georg Fischer refuses the repair or replacement or if for reasons attributable to Georg Fischer the repair or replacement is delayed.
- 15.4 For Products or essential components manufactured by a third party and supplied by Georg Fischer under this contract, Georg Fischer's warranty is limited to the warranty provided by said third party.
- 15.5 This warranty shall not apply to damage resulting from normal wear and tear, improper storage and maintenance, failure to observe the operating instructions, overstressing or overloading, unsuitable operating media, unsuitable construction work or unsuitable building ground, improper repairs or alterations by the Purchaser or third parties, the use of other than original spare parts and other reasons beyond Georg Fischer's control.
- 15.6 No action or claim may be brought by the Purchaser on account of any alleged breach of warranty or any other obligation of Georg Fischer after the expiration of twelve (12) months from receipt of the Products by the end user or at the latest within eighteen (18) months of the Products being despatched by Georg Fischer.
- 15.7 In case of Products for use in domestic installations or in utilities
 - Georg Fischer will assume the costs of dismantling the defective Product and restoring the damaged object up to CHF 1'000'000 per occurrence.
 - warranty or damage claims - contrary to Section 15.6 - are time-barred five (5) years from the date of installation or seven (7) years from the production date, whichever is earlier.

16 Limitation of Liability

The rights and remedies of the customer shall be exclusively governed by these General Conditions of Supply and shall be in lieu of any remedies at law. All further claims for damages, reduction of the purchase price, termination or rescission of the contract are excluded. In no case whatsoever shall the customer be entitled to claim damages other than compensation for costs of remedying defects in the supplies. This in particular refers, but shall not be limited, to loss of production, loss of use, loss of orders, loss of profit, third party recovery claims and other direct or indirect or consequential damages. This limitation of liability equally applies to the extent Georg Fischer is liable for acts or omissions of its employees or third parties engaged for the performance of its obligations. It does not apply in case of unlawful intent or gross negligence on the part of Georg Fischer's management and in case of Georg Fischer's statutory liability, in particular under applicable product liability laws.

17 Severability

Should any term or clause of these General Conditions in whole or in part be found to be unenforceable or void, all other provisions shall remain in full force and effect and the unenforceable or void provision shall be replaced by a valid provision, which comes closest to the original intention of the unenforceable or invalid provision.

18 Place of Performance and Jurisdiction

- 18.1 Place of performance for the Products shall be the Georg Fischer works from which the Products are despatched.
- 18.2 The contract shall be governed by Swiss law without regard to conflict of law provisions that would require the application of another law.
- 18.3 Any civil action based upon any alleged breach of this contract shall be filed and prosecuted exclusively in the courts of Schaffhausen, Switzerland. Georg Fischer however reserves the right to file actions in any court having jurisdiction over controversies arising out of or in connection with the present contract.

Worldwide at home

Our sales companies and representatives ensure local customer support in over 100 countries

www.gfps.com

Argentina / Southern South America

Georg Fischer Central Plastics
Sudamérica S.R.L.
Buenos Aires, Argentina
Phone +54 11 4512 02 90
gfcentral.ps.ar@georgfischer.com
www.gfps.com/ar

Australia

George Fischer Pty Ltd
Riverwood NSW 2210 Australia
Phone +61 (0) 2 9502 8000
australia.ps@georgfischer.com
www.gfps.com/au

Austria

Georg Fischer
Rohrleitungssysteme GmbH
3130 Herzogenburg
Phone +43 (0) 2782 856 43-0
austria.ps@georgfischer.com
www.gfps.com/at

Belgium / Luxembourg

Georg Fischer NV/SA
1070 Bruxelles/Brüssel
Phone +32 (0) 2 556 40 20
be.ps@georgfischer.com
www.gfps.com/be

Brazil

Georg Fischer Sist. de Tub. Ltda.
04795-100 São Paulo
Phone +55 (0) 11 5525 1311
br.ps@georgfischer.com
www.gfps.com/br

Canada

Georg Fischer Piping Systems Ltd
Mississauga, ON L5T 2B2
Phone +1 (905) 670 8005
Fax +1 (905) 670 8513
ca.ps@georgfischer.com
www.gfps.com/ca

China

Georg Fischer Piping Systems Ltd
Shanghai 201319
Phone +86 21 3899 3899
china.ps@georgfischer.com
www.gfps.com/cn

Denmark / Iceland

Georg Fischer A/S
2630 Taastrup
Phone +45 (0) 70 22 19 75
info.dk.ps@georgfischer.com
www.gfps.com/dk

Finland

Georg Fischer AB
01510 VANTAA
Phone +358 (0) 9 586 58 25
Fax +358 (0) 9 586 58 29
info.fi.ps@georgfischer.com
www.gfps.com/fi

France

Georg Fischer SAS
95932 Roissy Charles de Gaulle Cedex
Phone +33 (0) 1 41 84 68 84
fr.ps@georgfischer.com
www.gfps.com/fr

Germany

Georg Fischer GmbH
73095 Albershausen
Phone +49 (0) 7161 302-0
info.de.ps@georgfischer.com
www.gfps.com/de

India

Georg Fischer Piping Systems Ltd
400 076 Mumbai
Phone +91 224007 2001
branchoffice@georgfischer.com
www.gfps.com/in

Indonesia

George Fischer Pte Ltd -
Representative Office
Phone +62 21 2900 8564
Fax +62 21 2900 8566
sgp.ps@georgfischer.com
www.gfps.com/sg

Italy

Georg Fischer S.p.A.
20063 Cernusco S/N (MI)
Phone +39 02 921 861
it.ps@georgfischer.com
www.gfps.com/it

Japan

Georg Fischer Ltd
556-0011 Osaka,
Phone +81 (0) 6 6635 2691
jp.ps@georgfischer.com
www.gfps.com/jp

Korea

GF Piping Systems
Georg Fischer Korea Co., Ltd.
Unit 2501, U-Tower
120 HeungdeokJungang-ro (Yeongdeok-dong)
Giheung-gu, Yongin-si, Gyeonggi-do, Korea
Phone: +82 31 8017 1450
Fax: +82 31 217 1454
kor.ps@georgfischer.com
www.gfps.com/kr

Malaysia

George Fischer (M) Sdn. Bhd.
40460 Shah Alam, Selangor Darul Ehsan
Phone +60 (0) 3 5122 5585
Fax +603 5122 5575
my.ps@georgfischer.com
www.gfps.com/my

Mexico / Northern Latin America

Georg Fischer S.A. de C.V.
Apodaca, Nuevo Leon
CP66636 Mexico
Phone +52 (81) 1340 8586
Fax +52 (81) 1522 8906
mx.ps@georgfischer.com
www.gfps.com/mx

Middle East

Georg Fischer
Piping Systems (Switzerland) Ltd
Dubai, United Arab Emirates
Phone +971 4 289 49 60
gcc.ps@georgfischer.com
www.gfps.com/int

Netherlands

Georg Fischer N.V.
8161 PA Epe
Phone +31 (0) 578 678 222
nl.ps@georgfischer.com
www.gfps.com/nl

Norway

Georg Fischer AS
1351 Rud
Phone +47 67 18 29 00
no.ps@georgfischer.com
www.gfps.com/no

Philippines

George Fischer Pte Ltd
Representative Office
Phone +632 571 2365
Fax +632 571 2368
sgp.ps@georgfischer.com
www.gfps.com/sg

Poland

Georg Fischer Sp. z o.o.
05-090 Sekocin Nowy
Phone +48 (0) 22 31 31 0 50
poland.ps@georgfischer.com
www.gfps.com/pl

Romania

Georg Fischer
Piping Systems (Switzerland) Ltd
020257 Bucharest - Sector 2
Phone +40 (0) 21 230 53 80
ro.ps@georgfischer.com
www.gfps.com/int

Russia

Georg Fischer
Piping Systems (Switzerland) Ltd
Moscow 125047
Phone +7 495 258 60 80
ru.ps@georgfischer.com
www.gfps.com/ru

Singapore

George Fischer Pte Ltd
11 Tampines Street 92, #04-01/07
528 872 Singapore
Phone +65 6747 0611
Fax +65 6747 0577
sgp.ps@georgfischer.com
www.gfps.com/sg

Spain / Portugal

Georg Fischer S.A.
28046 Madrid
Phone +34 (0) 91 781 98 90
es.ps@georgfischer.com
www.gfps.com/es

Sweden

Georg Fischer AB
117 43 Stockholm
Phone +46 (0) 8 506 775 00
info.se.ps@georgfischer.com
www.gfps.com/se

Switzerland

Georg Fischer
Rohrleitungssysteme [Schweiz] AG
8201 Schaffhausen
Phone +41 (0) 52 631 30 26
ch.ps@georgfischer.com
www.gfps.com/ch

Taiwan

Georg Fischer Co., Ltd
San Chung Dist., New Taipei City
Phone +886 2 8512 2822
Fax +886 2 8512 2823
www.gfps.com/tw

United Kingdom / Ireland

Georg Fischer Sales Limited
Coventry, CV2 2ST
Phone +44 (0) 2476 535 535
uk.ps@georgfischer.com
www.gfps.com/uk

USA / Caribbean

Georg Fischer LLC
9271 Jeronimo Road
92618 Irvine, CA
Phone +1 714 731 88 00
Fax +1 714 731 62 01
us.ps@georgfischer.com
www.gfps.com/us

Vietnam

Georg Fischer Pte Ltd
Representative Office
136E Tran Vu, Ba Dinh District, Hanoi
Phone +84 4 3715 3290
Fax +84 4 3715 3285
sgp.ps@georgfischer.com
www.gfps.com/sg

International

Georg Fischer
Piping Systems (Switzerland) Ltd
8201 Schaffhausen/Switzerland
Phone +41 (0) 52 631 30 03
Fax +41 (0) 52 631 28 93
info.export@georgfischer.com
www.gfps.com/int

The technical data are not binding. They neither constitute expressly warranted characteristics nor guaranteed properties nor a guaranteed durability. They are subject to modification. Our General Terms of Sale apply.



700.671.345
SCINT_8237_4c (08.14)
© Georg Fischer Piping Systems Ltd
CH-8201 Schaffhausen/Switzerland, 2014
www.gfps.com

+7 (499) 195-25-51, +7 (495) 506-88-55
www.resurs-plast.ru